

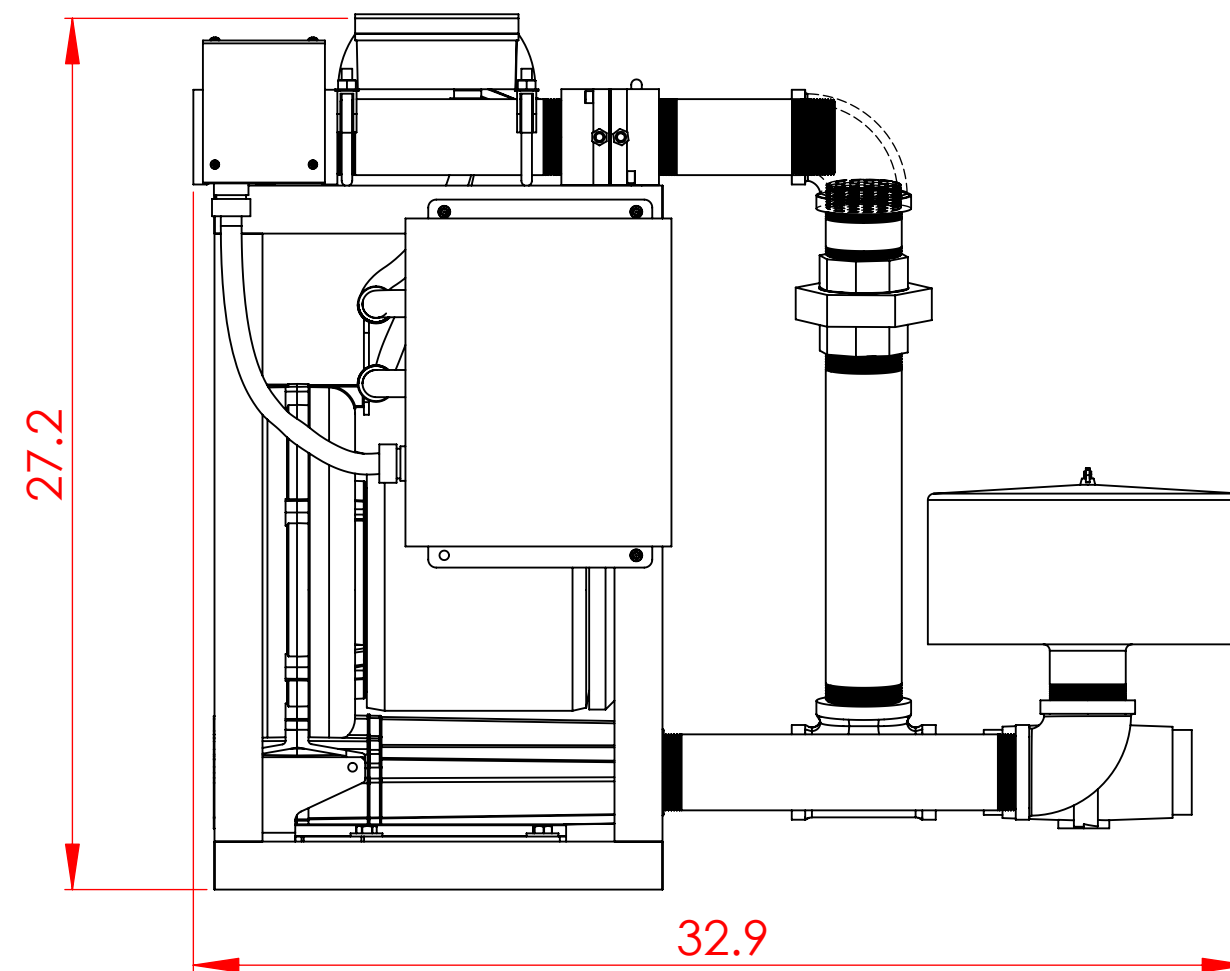
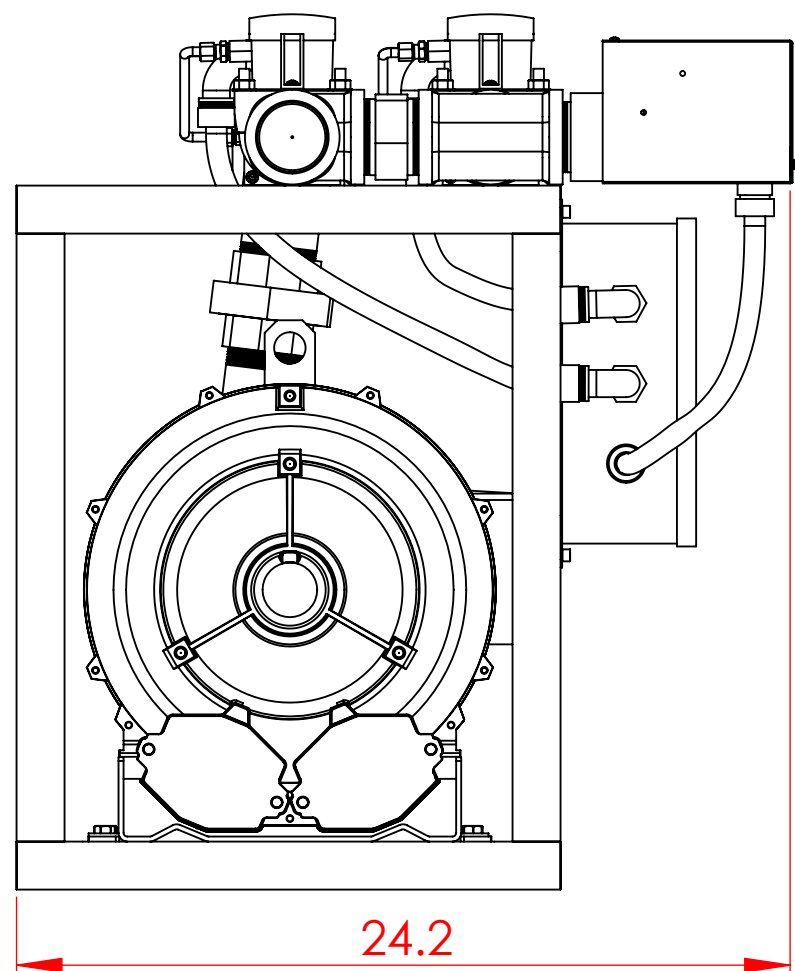
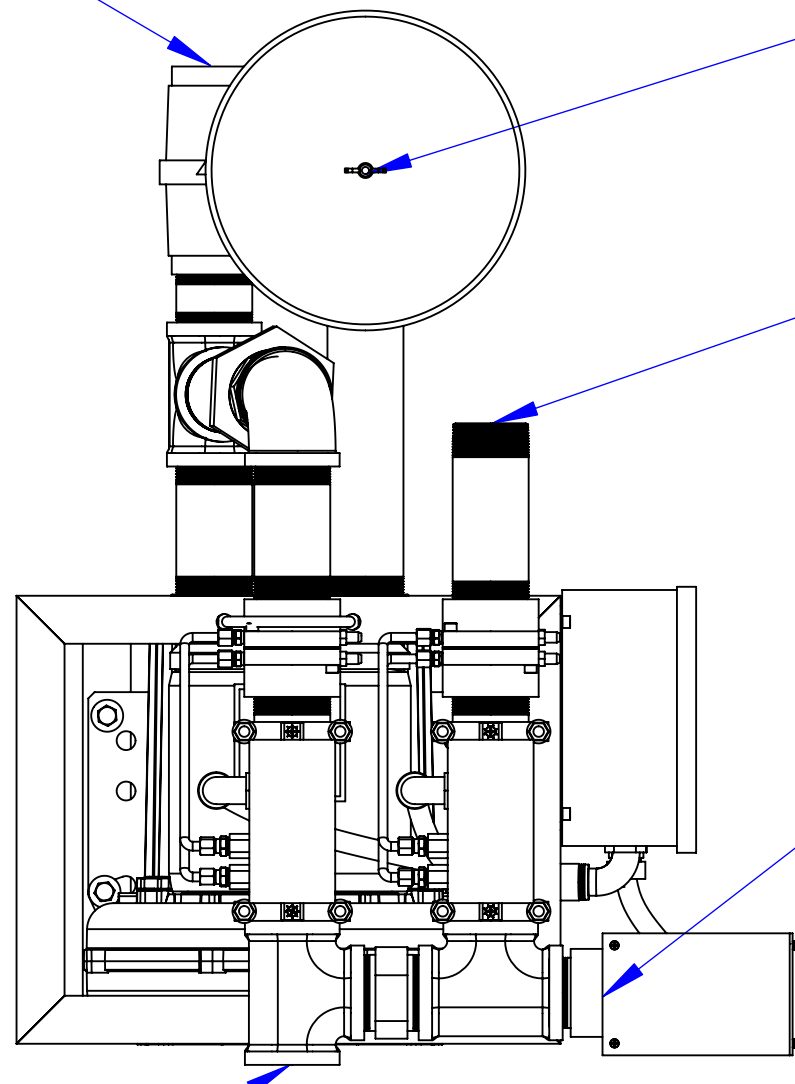
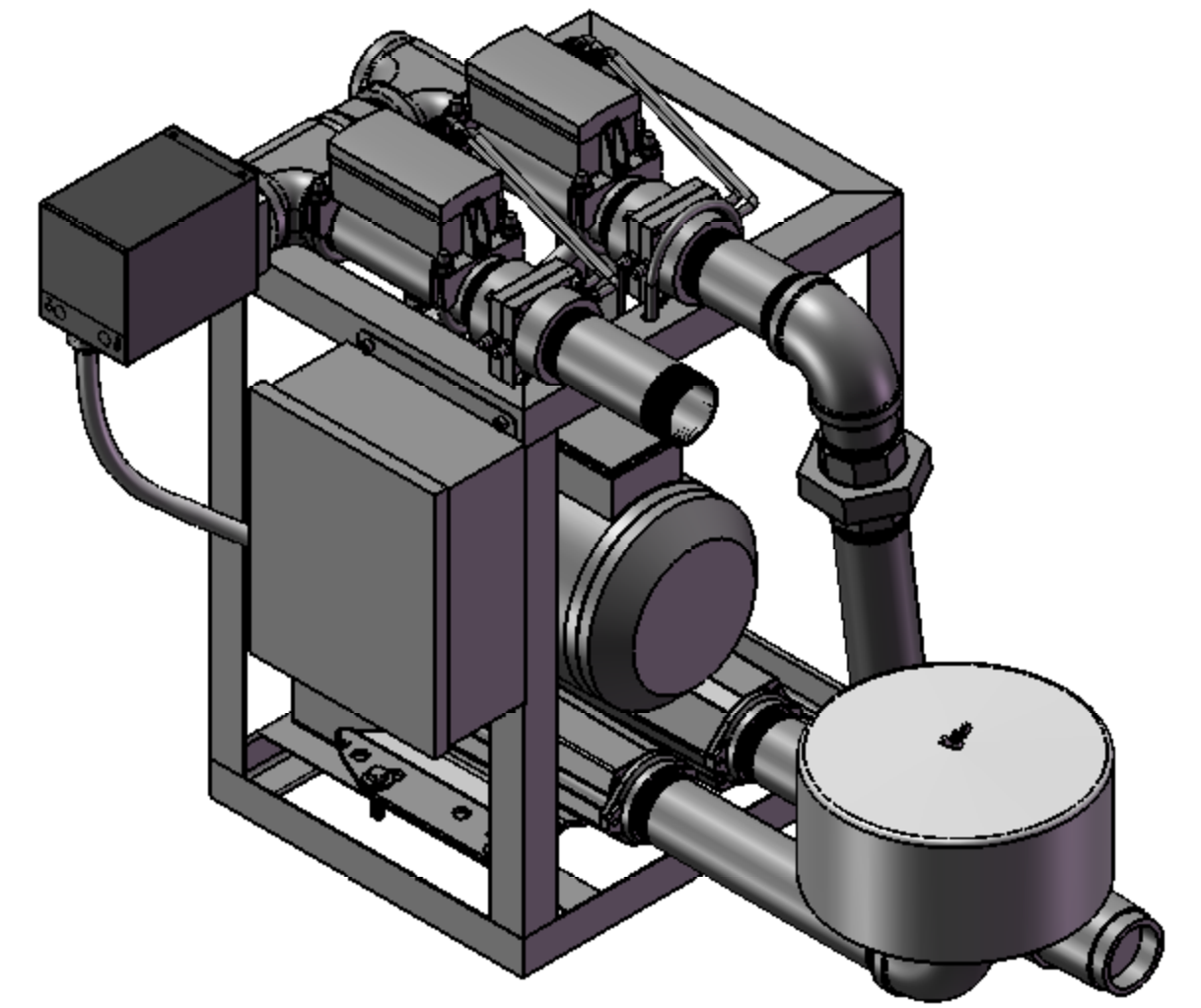
AIR RELIEF VALVE

AIR INLET

GAS INLET

GAS MIXING VALVE

MIXED GAS OUTLET



REV. #	REV. DATE	INITIAL	REV. #
--	--/--	--	--
--	--/--	--	--
--	--/--	--	--
DIMENSIONS ARE IN INCHES			
TOLERANCES:	NAME	DATE	
.XX ±.01	DJR	7/23/09	
.XXX ±.005			
.XXXX ±.0005			
MATERIAL	COMMENTS:		
ASSEMBLY			
ASSEMBLY			
SCALE: 1:6			REV. #
SITE DWG. NO. C			0

PROPRIETARY AND CONFIDENTIAL
 THE INFORMATION CONTAINED IN THIS
 DRAWING IS THE SOLE PROPERTY OF
 ATMOSPHERE ENGINEERING. ANY
 REPRODUCTION IN PART OR AS A WHOLE
 WITHOUT THE WRITTEN PERMISSION OF
 ATMOSPHERE ENGINEERING IS
 PROHIBITED.



ENDC-FLOW