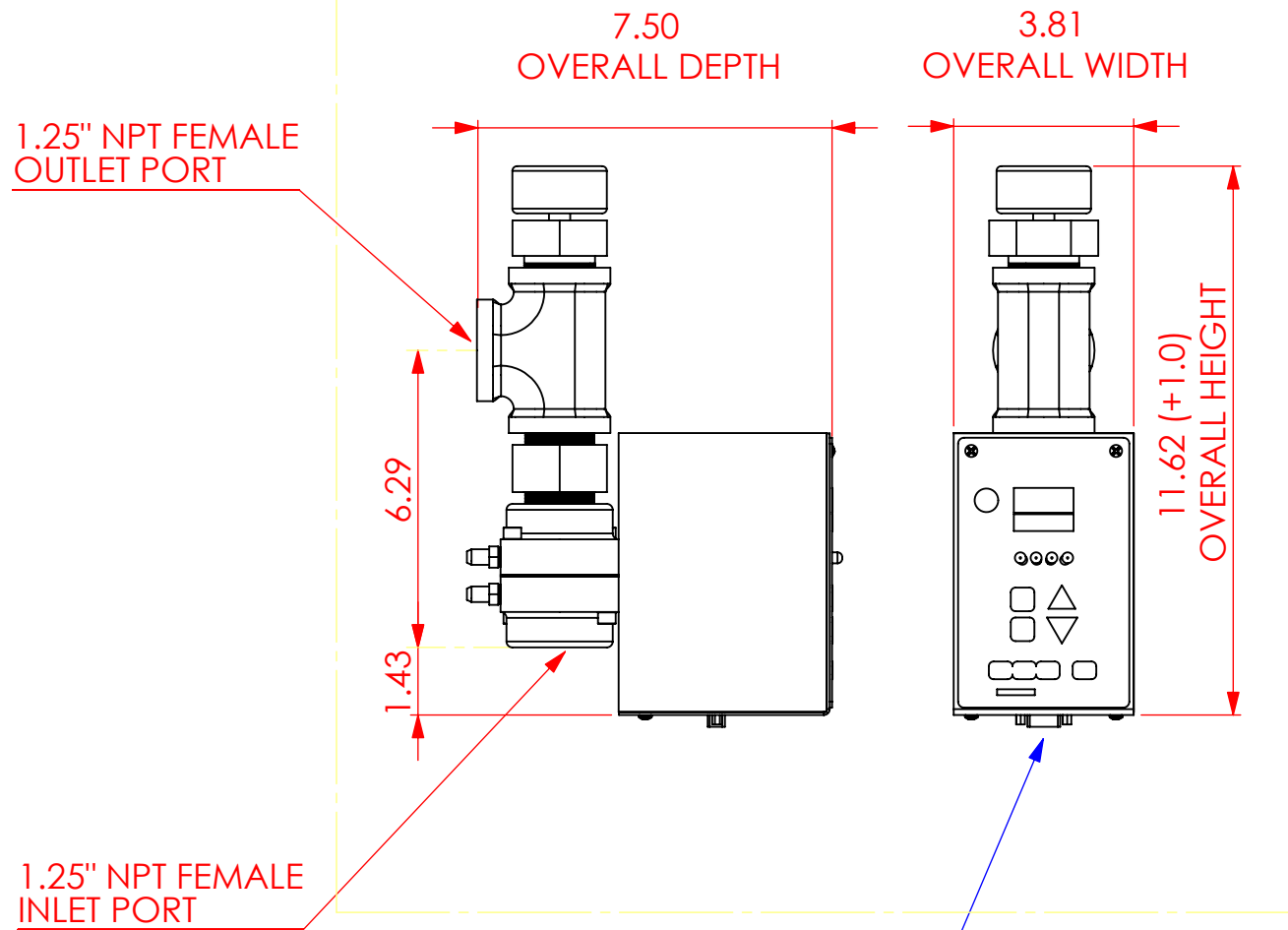
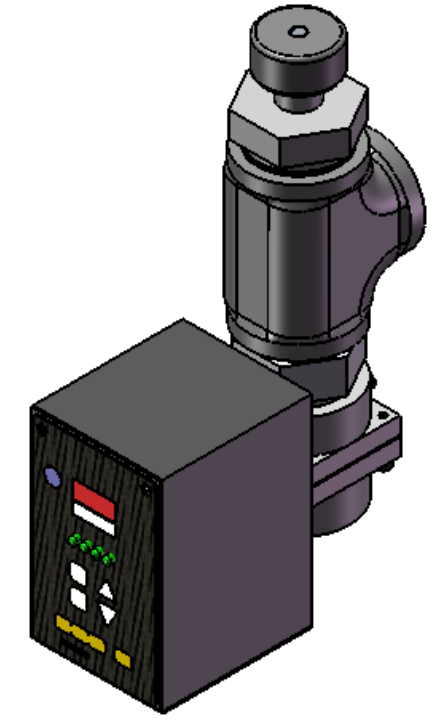
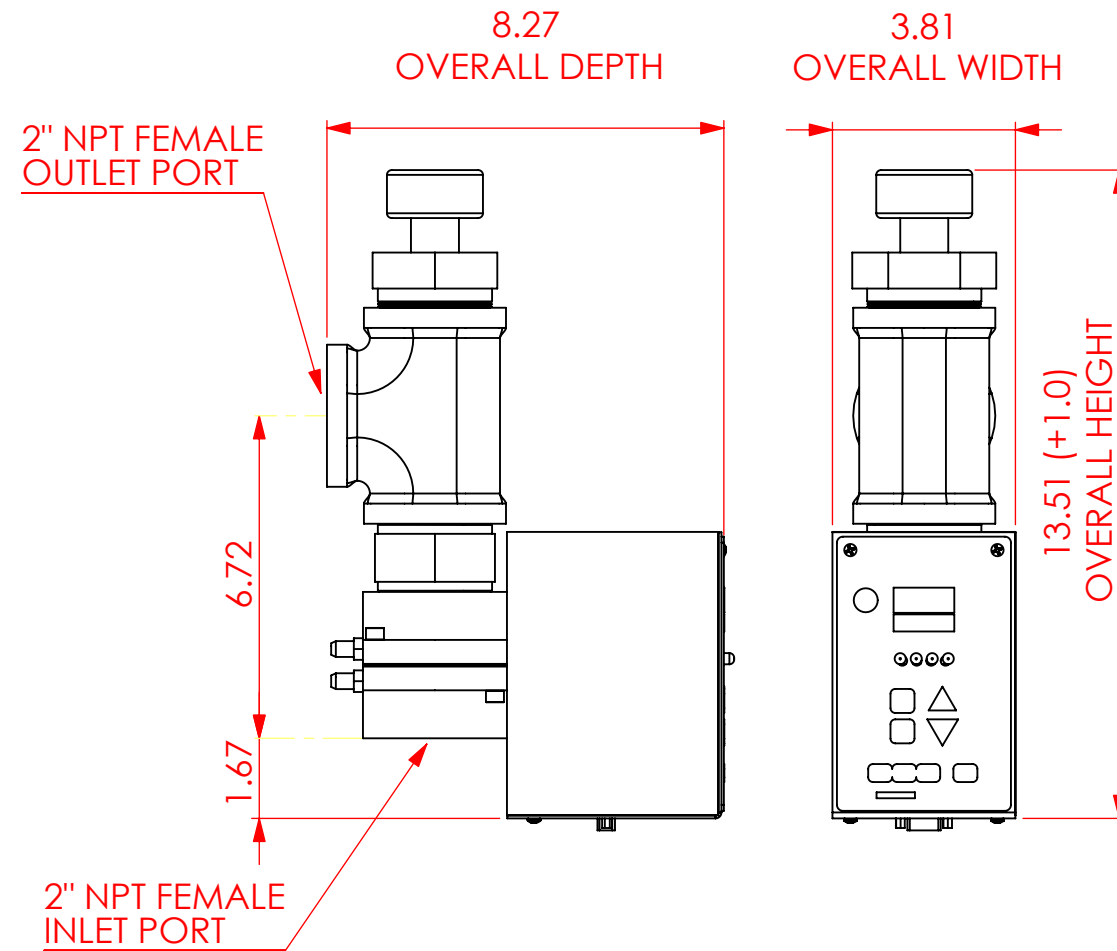


NOTE: DIMENSIONS APPROXIMATE AND SUBJECT TO CHANGE PER REVISED DRAWINGS

1-1/4" NPT PORTS



2" NPT PORTS



PROVISIONAL NOTE:
6 INCHES MUST BE PROVIDED BELOW METER TO REMOVE ENCLOSURE COVER AND MAKE ELECTRICAL CONNECTIONS.

PROPRIETARY AND CONFIDENTIAL
THE INFORMATION CONTAINED IN THIS DRAWING IS THE SOLE PROPERTY OF ATMOSPHERE ENGINEERING. ANY REPRODUCTION IN PART OR AS A WHOLE WITHOUT THE WRITTEN PERMISSION OF ATMOSPHERE ENGINEERING IS PROHIBITED.

REV. ID	REVISION	DATE	INITIAL	REV #
--	--	--/--/--	--	--
--	--	--/--/--	--	--
--	--	--/--/--	--	--
DIMENSIONS ARE IN INCHES		NAME	DATE	
TOLERANCES:		DRAWN	DJR	3/11/10
.XX ±.01		CHECKED	--	--
.XXX ±.005		COMMENTS:		
.XXXX ±.0005		SCALE:1:4		
MATERIAL	ASSEMBLY	SIZE	DWG. NO.	REV.
FINISH	ASSEMBLY	B	HS-GAS-FLOW-UMV-DIM	0

