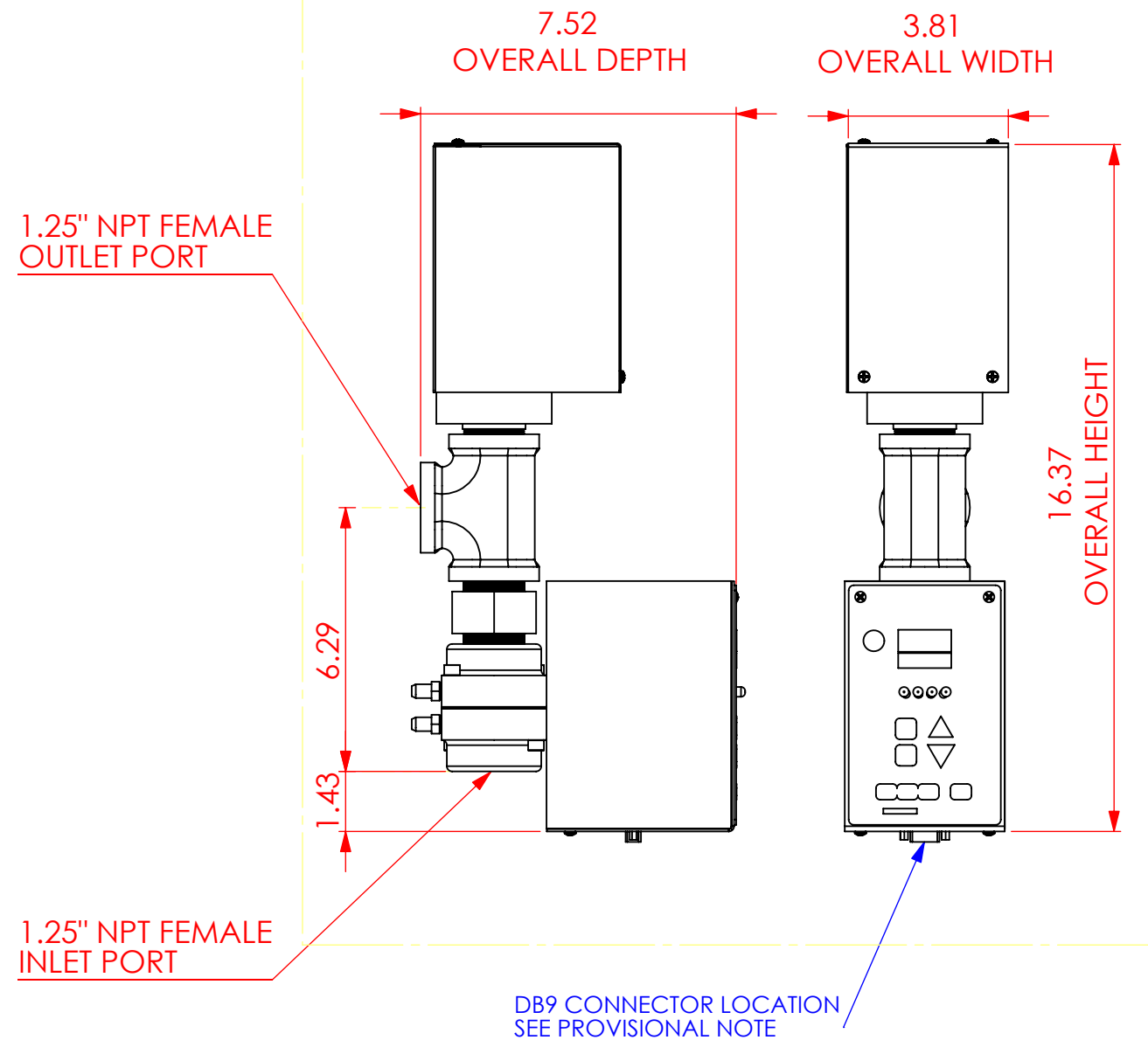
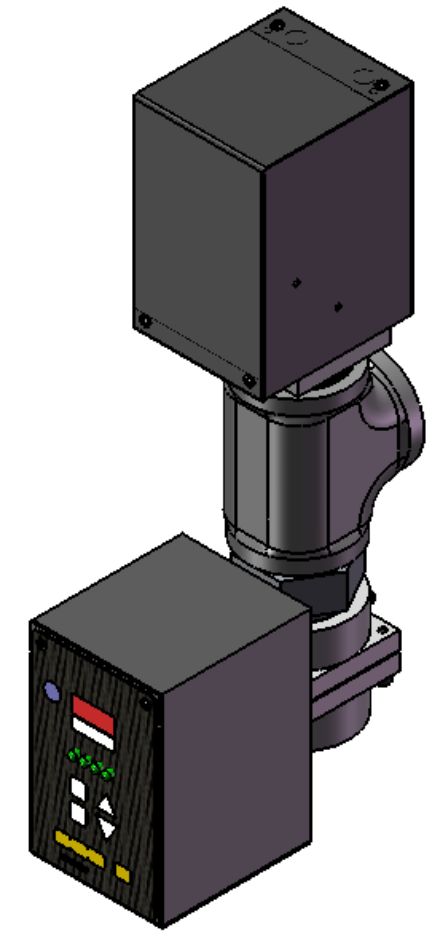
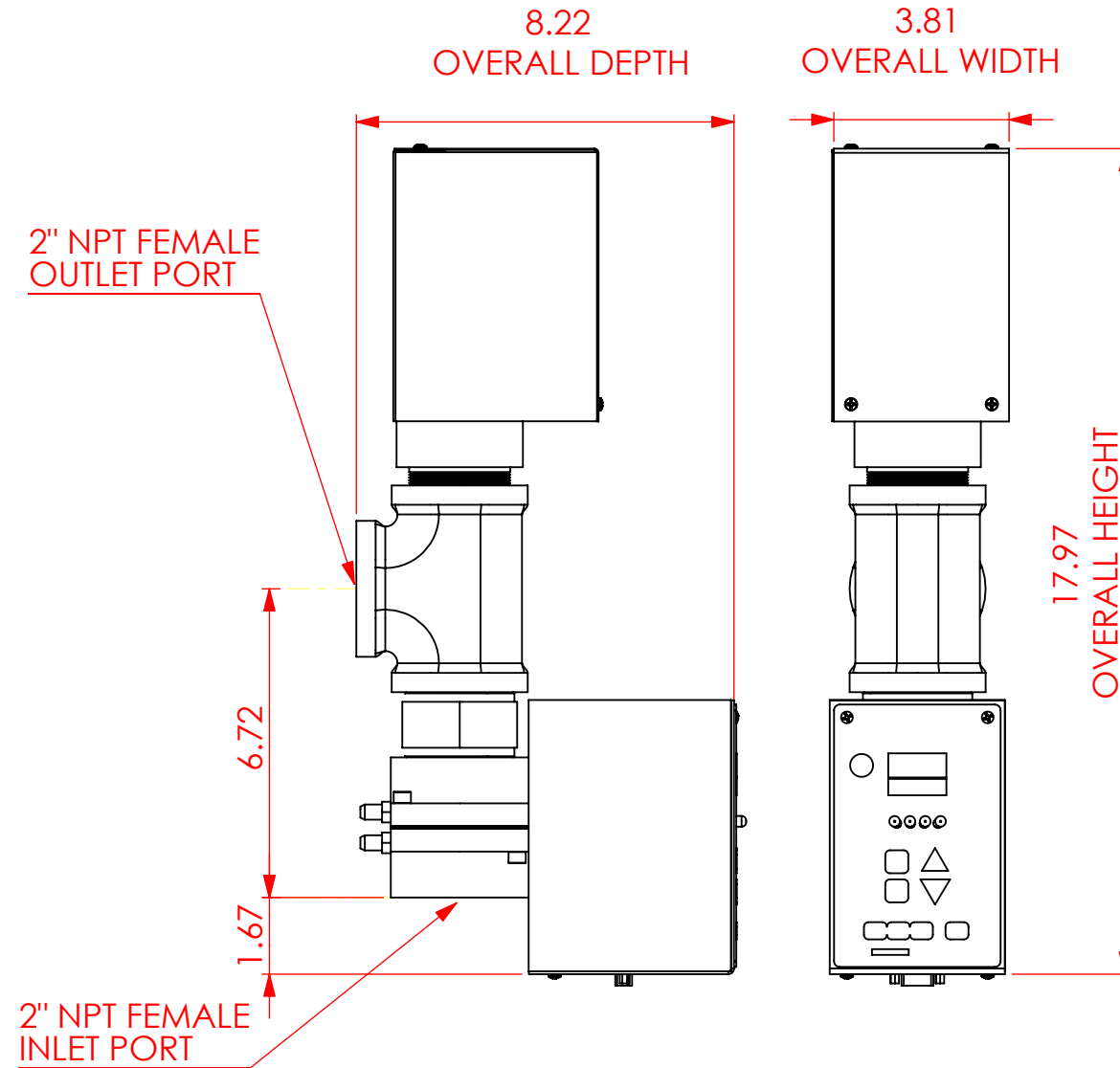


NOTE: DIMENSIONS APPROXIMATE AND SUBJECT TO CHANGE PER REVISED DRAWINGS

### 1-1/4" NPT PORTS



### 2" NPT PORTS



**PROVISIONAL NOTE:**  
6 INCHES MUST BE PROVIDED BELOW METER TO REMOVE ENCLOSURE COVER AND MAKE ELECTRICAL CONNECTIONS.

**PROPRIETARY AND CONFIDENTIAL**  
THE INFORMATION CONTAINED IN THIS DRAWING IS THE SOLE PROPERTY OF ATMOSPHERE ENGINEERING. ANY REPRODUCTION IN PART OR AS A WHOLE WITHOUT THE WRITTEN PERMISSION OF ATMOSPHERE ENGINEERING IS PROHIBITED.

|         |          |      |         |       |
|---------|----------|------|---------|-------|
| REV. ID | REVISION | DATE | INITIAL | REV # |
|         |          |      |         |       |
|         |          |      |         |       |
|         |          |      |         |       |

|                          |           |                     |         |
|--------------------------|-----------|---------------------|---------|
| DIMENSIONS ARE IN INCHES |           | NAME                | DATE    |
| TOLERANCES:              |           | DRAWN               | 3/11/10 |
| .XX ±.01                 |           | CHECKED             |         |
| .XXX ±.005               |           |                     |         |
| .XXXX ±.0005             |           |                     |         |
| MATERIAL                 | COMMENTS: |                     |         |
| ASSEMBLY                 |           |                     |         |
| FINISH                   |           |                     |         |
| ASSEMBLY                 |           |                     |         |
| SCALE:1:4                | SIZE      | DWG. NO.            | REV.    |
|                          | B         | HS-GAS-FLOW-UEV-DIM | 0       |

