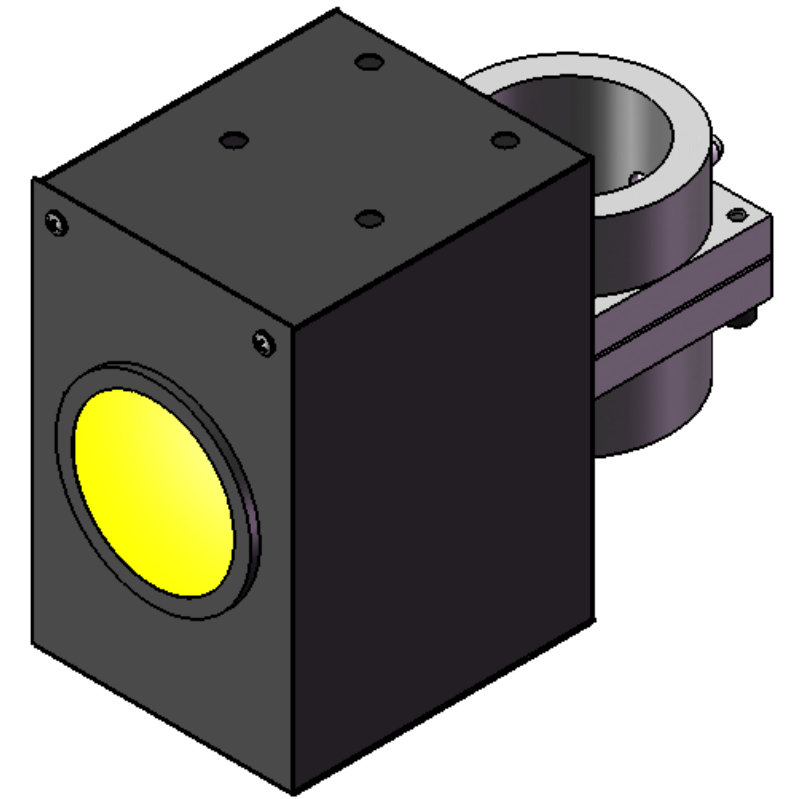
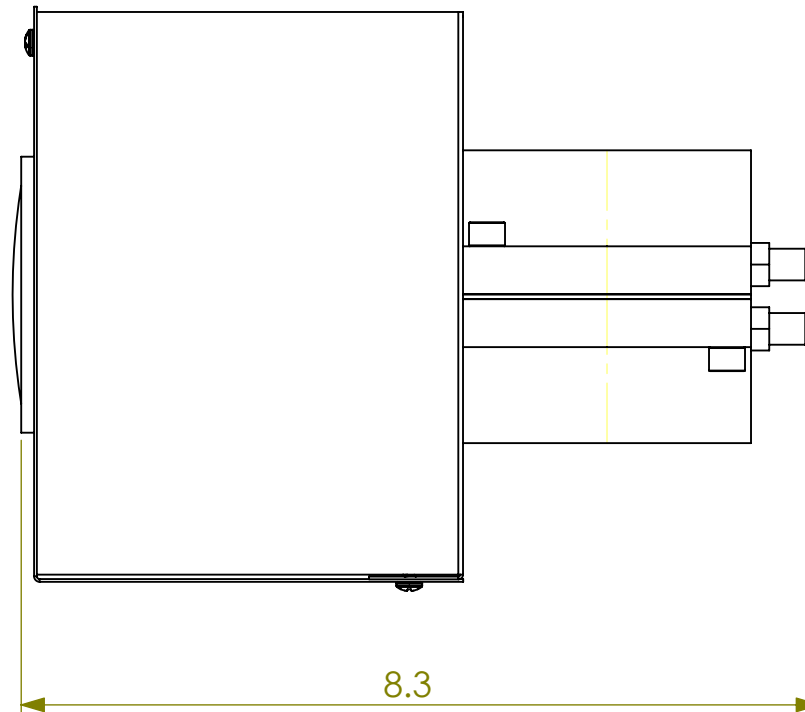
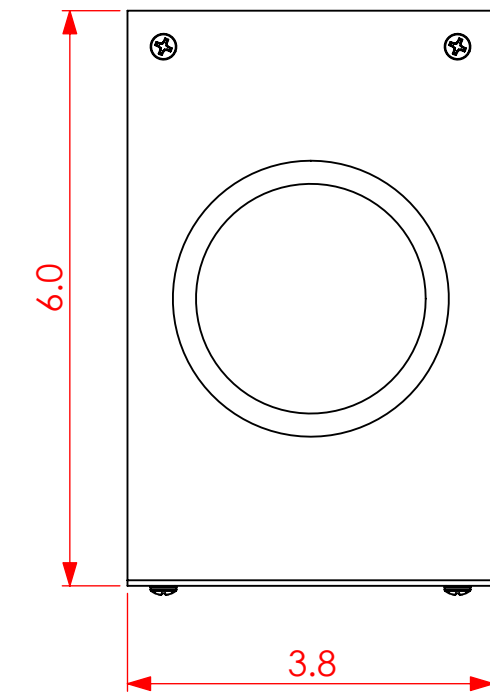


2" NPT THREADED

NOTE: ALSO AVAILABLE  
IN 1-1/4" NPT CONFIGURATION



**PROPRIETARY AND CONFIDENTIAL**  
THE INFORMATION CONTAINED IN THIS  
DRAWING IS THE SOLE PROPERTY OF  
ATMOSPHERE ENGINEERING. ANY  
REPRODUCTION IN PART OR AS A WHOLE  
WITHOUT THE WRITTEN PERMISSION OF  
ATMOSPHERE ENGINEERING IS  
PROHIBITED.

---	---	---	---	---	---
---	---	---	---	---	---
---	---	---	---	---	---
REV. ID	REVISION			DATE	INITIAL
	NAME	DATE			
	DRAWN DJR	7/23/09			
	CHECKED --	--			
	COMMENTS:				
	SCALE:1:2				
	SIZE	DWG. NO.	REV.		
	B	FM-GAS-FLOW-AST	0		

