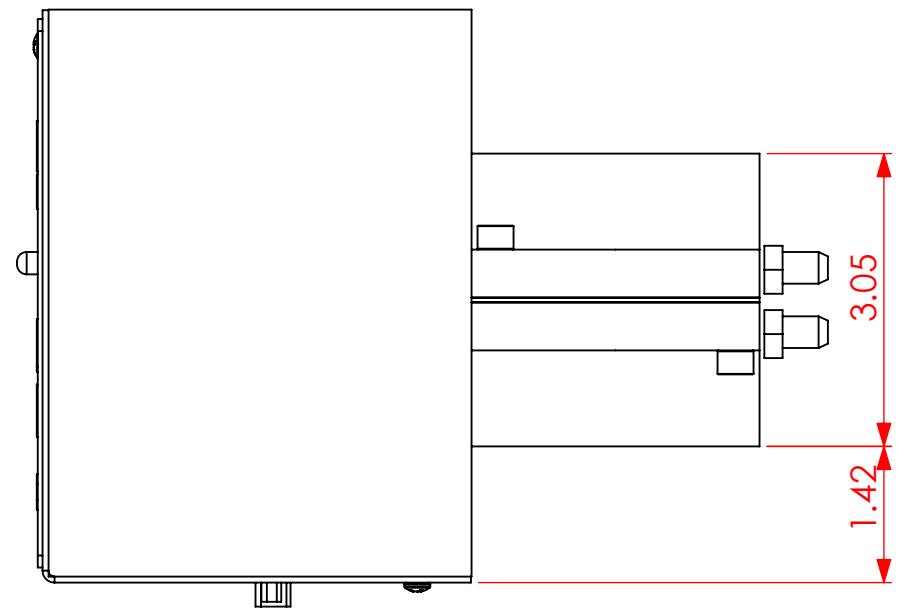
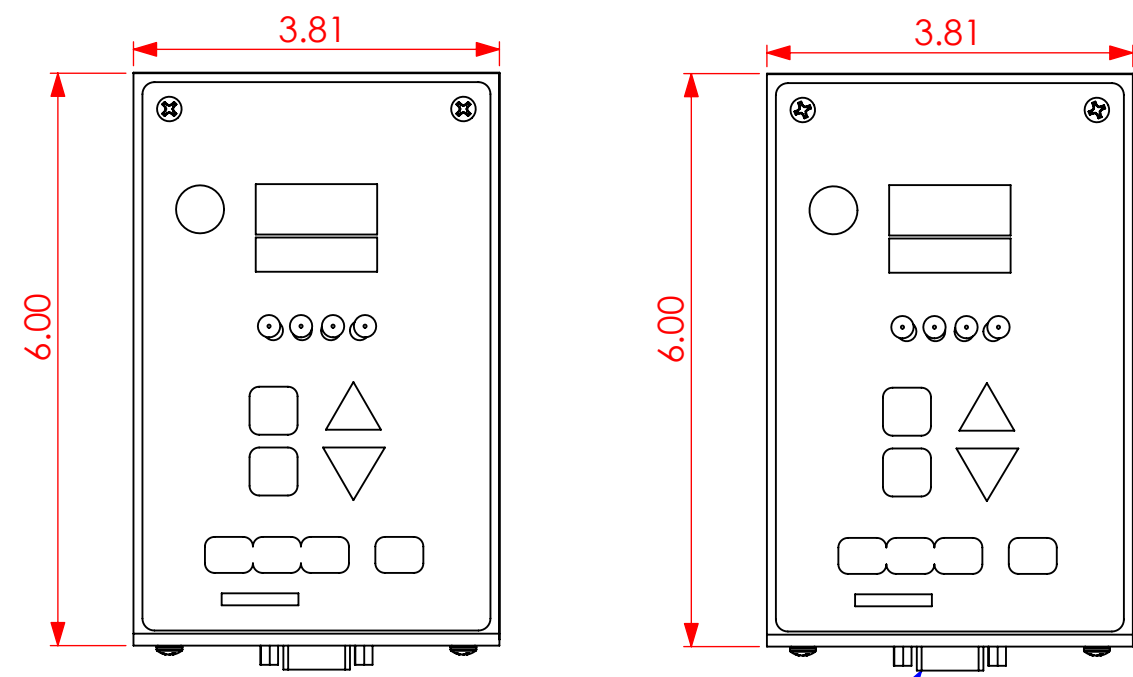
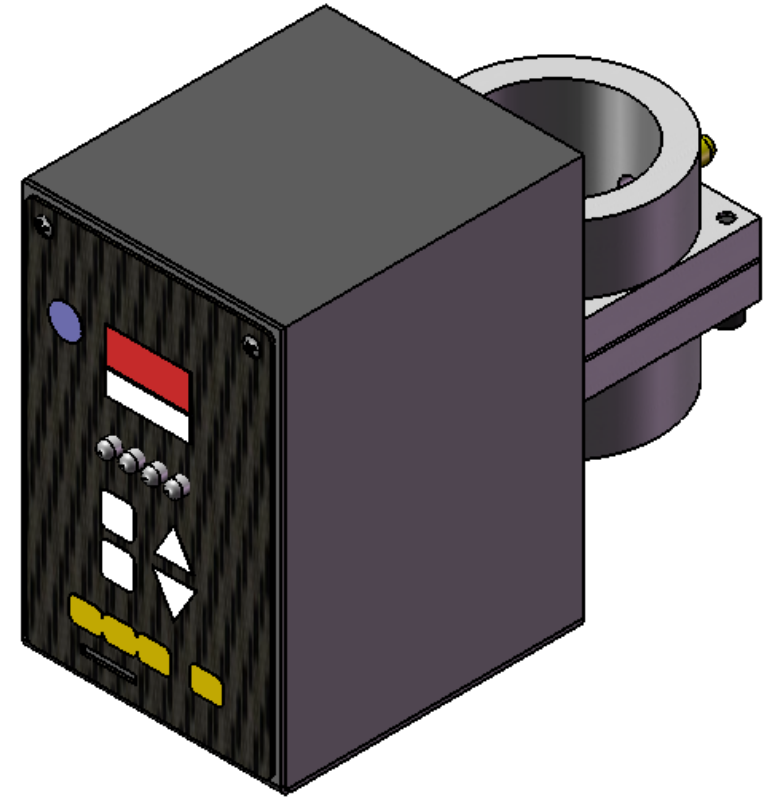
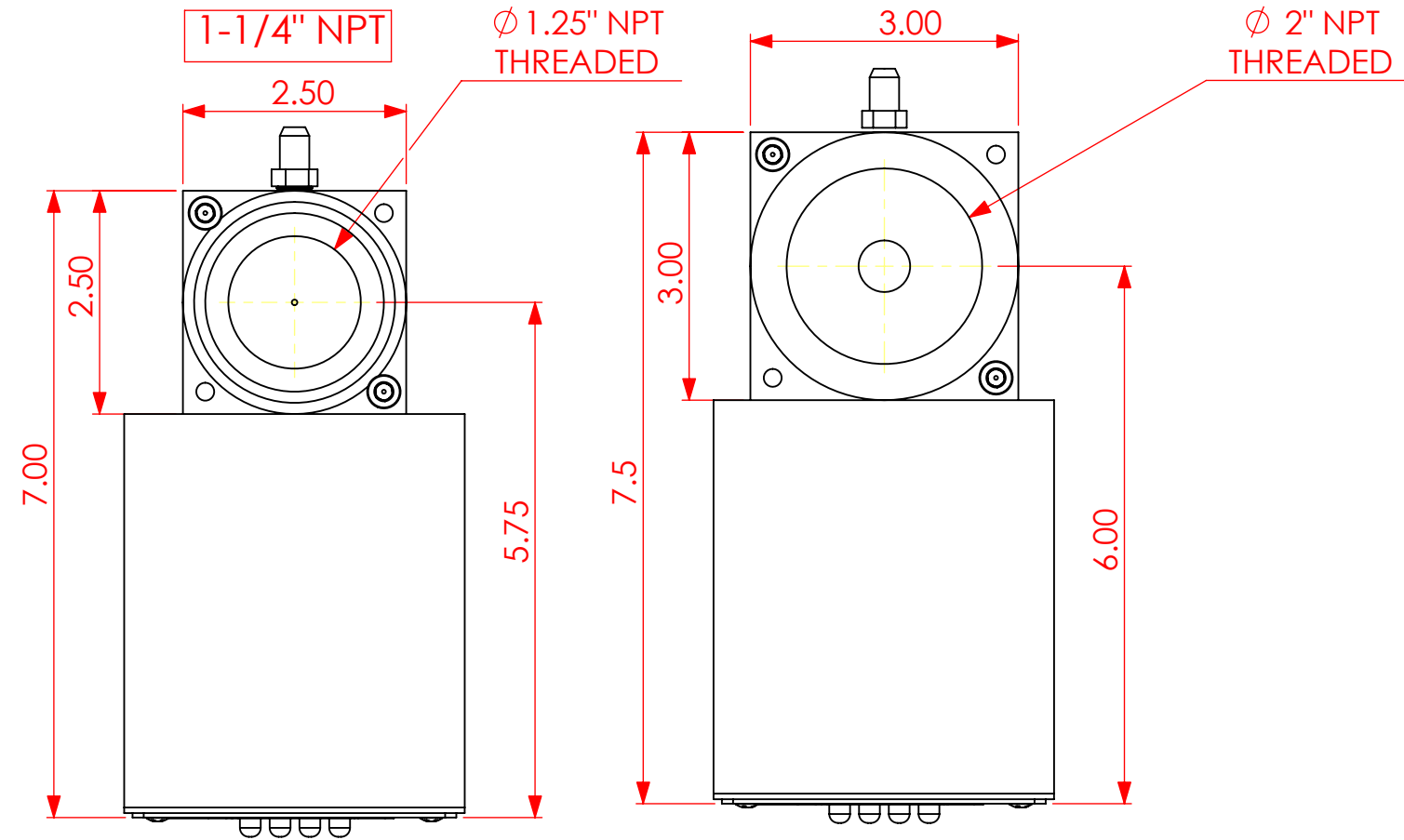


PURCHASING NOTE:
TOTALIZING METERS
ALSO AVAILABLE WITH
3" NPT AND .75" NPT
CONNECTIONS



PROVISIONAL NOTE
6 INCHES MUST BE PROVIDED BELOW METER TO
REMOVE ENCLOSURE COVER AND MAKE ELECTRICAL
CONNECTIONS.

DB9 CONNECTOR LOCATION
SEE PROVISIONAL NOTE

PROPRIETARY AND CONFIDENTIAL
THE INFORMATION CONTAINED IN THIS
DRAWING IS THE SOLE PROPERTY OF
ATMOSPHERE ENGINEERING. ANY
REPRODUCTION IN PART OR AS A WHOLE
WITHOUT THE WRITTEN PERMISSION OF
ATMOSPHERE ENGINEERING IS
PROHIBITED.

| | | | | |
|--------------------------|---------------------|----------|---------|-------|
| REV. ID | REVISION | DATE | INITIAL | REV # |
| -- | -- | --/--/-- | -- | -- |
| -- | -- | --/--/-- | -- | -- |
| -- | -- | --/--/-- | -- | -- |
| DIMENSIONS ARE IN INCHES | | | | |
| TOLERANCES: | | | | |
| .XX | ±.01 | | | |
| .XXX | ±.005 | | | |
| .XXXX | ±.0005 | | | |
| MATERIAL | ASSEMBLY | | | |
| FINISH | ASSEMBLY | | | |
| SCALE:1:2 | | | | |
| SIZE | DWG. NO. | REV. | | |
| B | FM-GAS-FLOW-UST-DIM | 0 | | |

