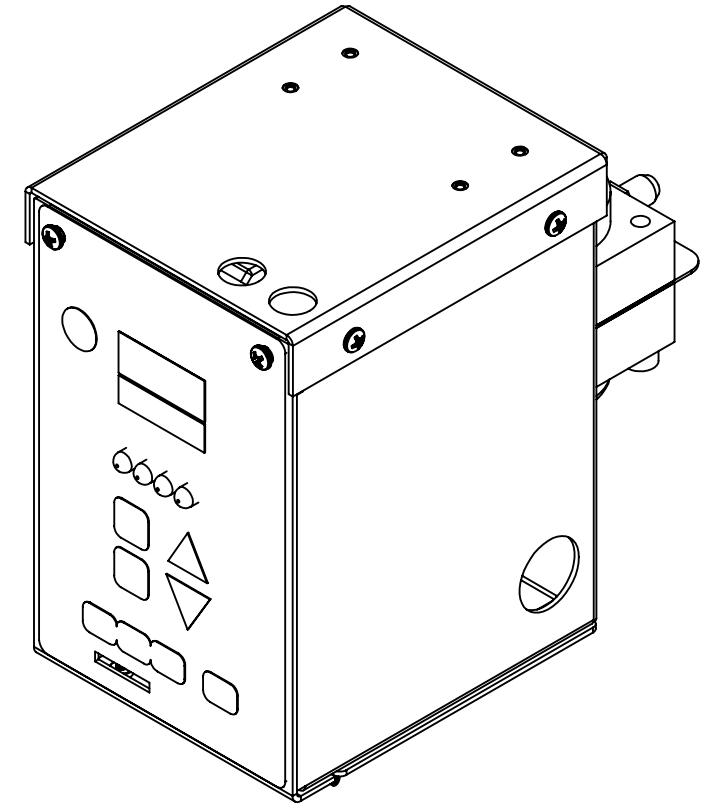


SECTION A-A



PROPRIETARY AND CONFIDENTIAL
 THE INFORMATION CONTAINED IN THIS DRAWING IS THE SOLE PROPERTY OF ATMOSPHERE ENGINEERING. ANY REPRODUCTION IN PART OR AS A WHOLE WITHOUT THE WRITTEN PERMISSION OF ATMOSPHERE ENGINEERING IS PROHIBITED.

REV. ID	REVISION	DATE	INITIAL	REV #
B	ADDED CRUSH RESISTANT TUBE	1/6/14	NP	2
A	UPDATED WITH HINGED ENCLOSURE	12/12/13	NP	1
DIMENSIONS ARE IN INCHES				
TOLERANCES:		NAME	DATE	
.XX ±.01		DRAWN	CSU 11/14/12	
.XXX ±.005		CHECKED	-- --	
.XXXX ±.0005		TITLE		
MATERIAL		ATMOSPHERE ENGINEERING Co.		
ASSEMBLY		MILWAUKEE, WI U.S.A		
FINISH		ENGINEERING@ATMOSENG.COM		
ASSEMBLY		TOTALIZING METER T-NV-075N-DP05		
SCALE:1:2	SIZE	DWG. NO.	SHEET No.	REV.
	B	A-3730	1 of 1	2