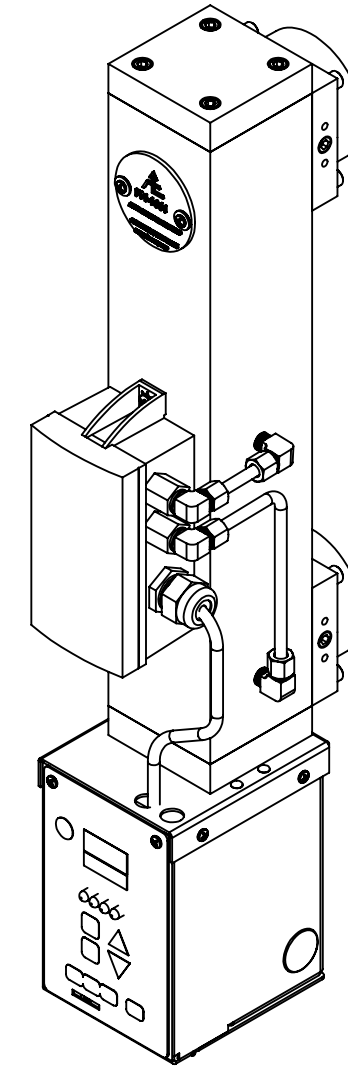



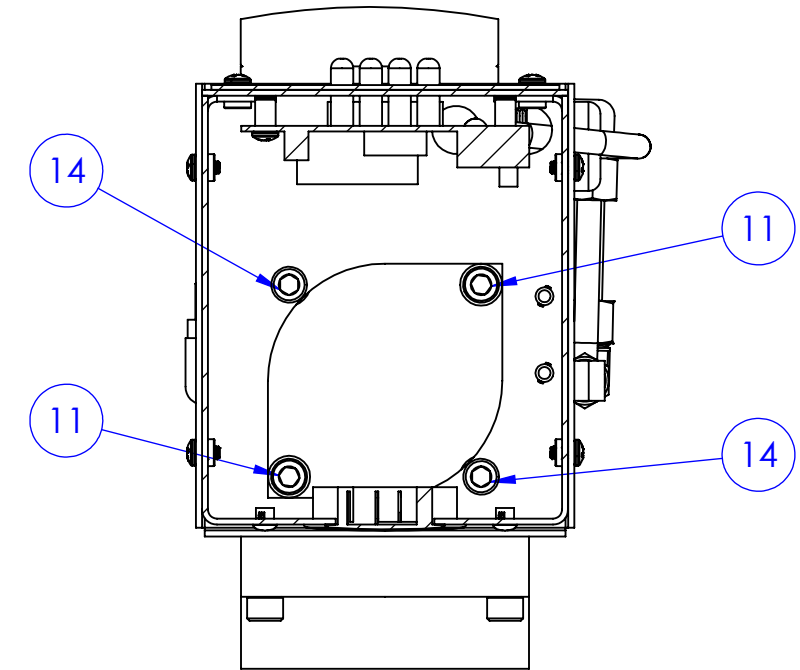
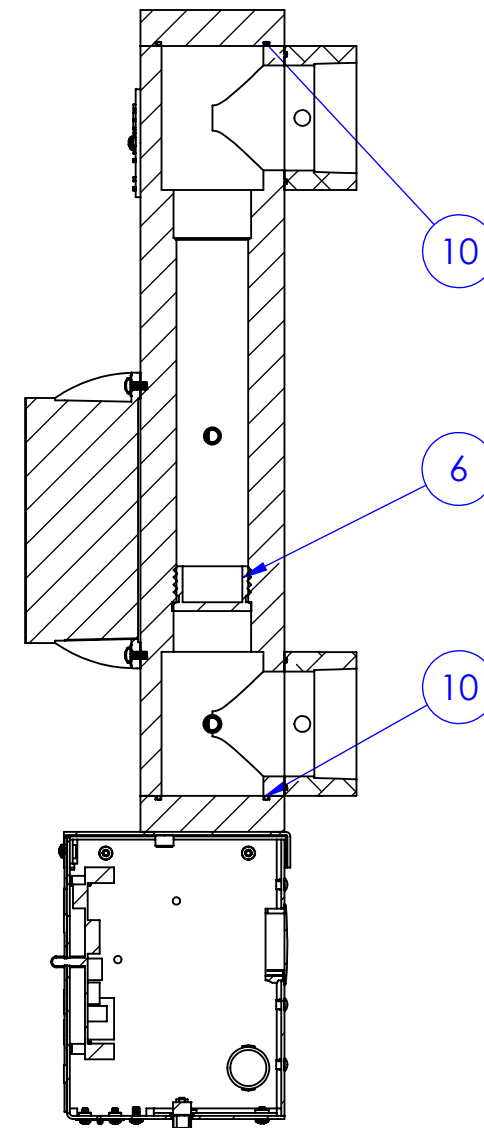
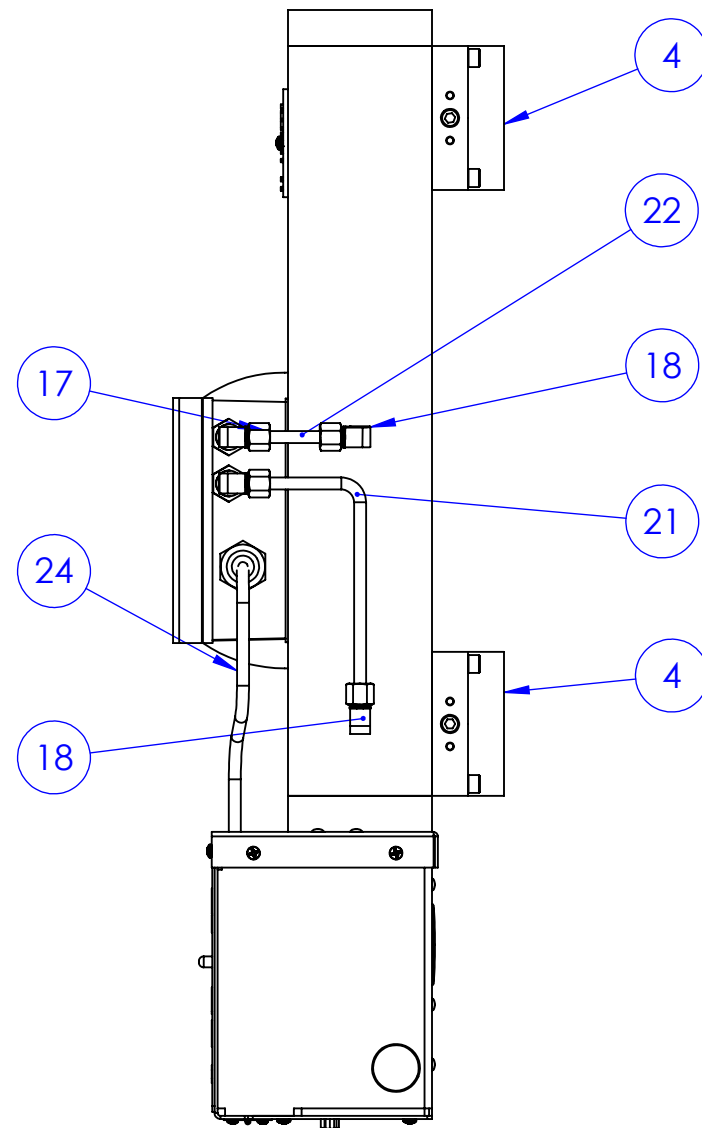
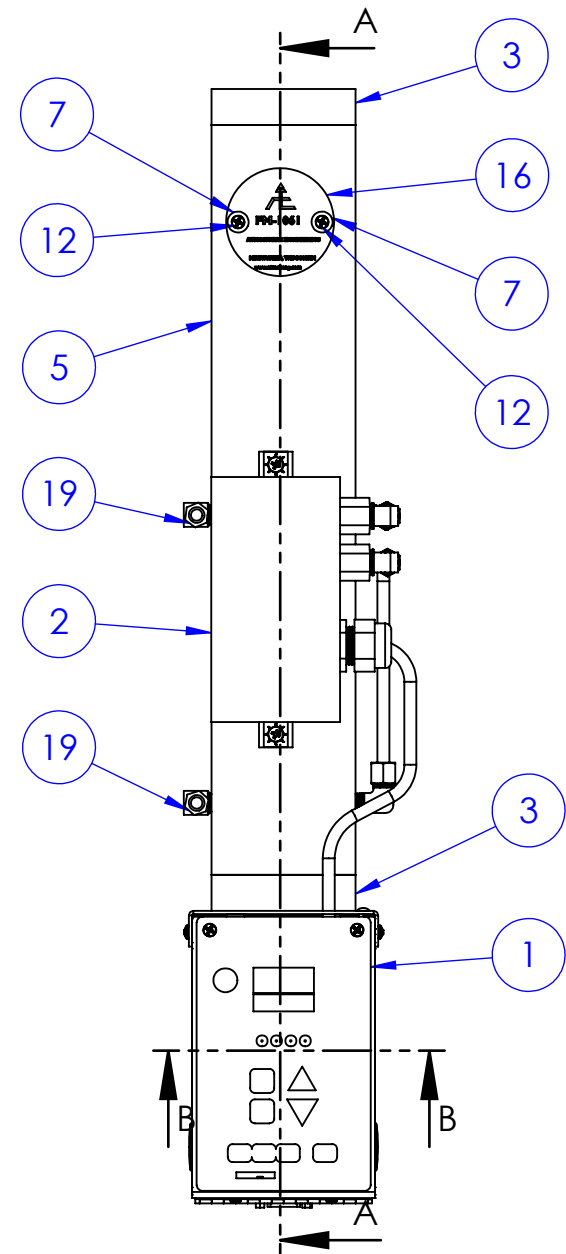
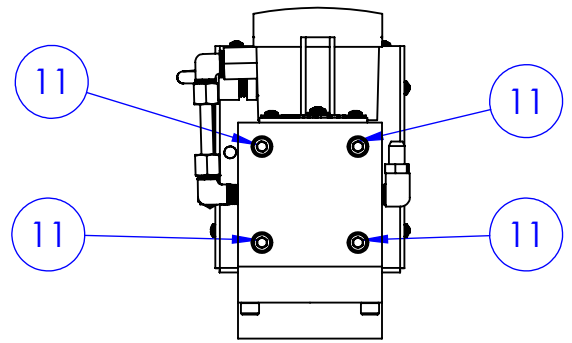
ITEM NO.	PART NUMBER	DESCRIPTION	QTY.
1	A-3068	FM-EB Electronic Flow Display Assembly	1
2	C-2715	5" WC Differential Pressure Transducer	1
3	D-2348	Blank Furnace Meter Flange	2
4	D-3775	200N Orifice Flange	2
5	D-3861	200N FurnaceMeter Body	1
6	D-3864	2in FurnaceMeter Blank Orifice	1
7	H-1012	#8 Washer, .19" ID, .44" OD	2
8	H-1015	#8 lock washer	2
9	H-1029	#38 O-Ring	2
10	H-1030	#139 O-Ring	2
11	H-1032	1/4-20 x .75"L Cap Screw	6
12	H-1048	#6-32 x .3125"L Pan Head Screw	2
13	H-1050	.125"NPT Socket Plug	4
14	H-1068	1/4-20 x 1.25" Cap Screw	10
15	H-1106	8-32 x .375" Pan Head Screw	2
16	L-403	Serial Plate Label	1
17	P-1017	.25"NPT x .25" Tube Compression Elbow, Brass	2
18	P-1030	.125"NPT x .25" Tube Compression Elbow, Brass	2
19	P-1775	.125" NPT Test Port, Brass	2
20	P-1776	.125"MNPT x .125"FNPT Elbow, Brass	2
21	P-1792	.25in SS Tubing	1
22	P-1792	.25in SS Tubing	1
23	W-1781	Cord Grip .5"NPT, .20"-.35" Cord Dia.	1
24	W-6363	18awg 2 Conductor Wire	1



PROPRIETARY AND CONFIDENTIAL
 THE INFORMATION CONTAINED IN THIS DRAWING IS THE SOLE PROPERTY OF ATMOSPHERE ENGINEERING. ANY REPRODUCTION IN PART OR AS A WHOLE WITHOUT THE WRITTEN PERMISSION OF ATMOSPHERE ENGINEERING IS PROHIBITED.

REV. ID	REVISION	DATE	INITIAL	REV #
--	--	--/--/--	--	--
--	--	--/--/--	--	--
--	--	--/--/--	--	--

DIMENSIONS ARE IN INCHES		TOLERANCES:		 ATMOSPHERE ENGINEERING Co. MILWAUKEE, WI U.S.A ENGINEERING@ATMOSENG.COM	
.XX	±.01	DRAWN	CPM 7/28/15		
.XXX	±.005	CHECKED	-- --		
.XXXX	±.0005	TITLE			
MATERIAL		ASSEMBLY			FM-EB-NV-200N-DP05
FINISH		ASSEMBLY			SCALE: 1:4 B A-8931
		SIZE	DWG. NO.	SHEET No.	REV.
				1 of 3	0



SECTION B-B
SCALE 1 : 2

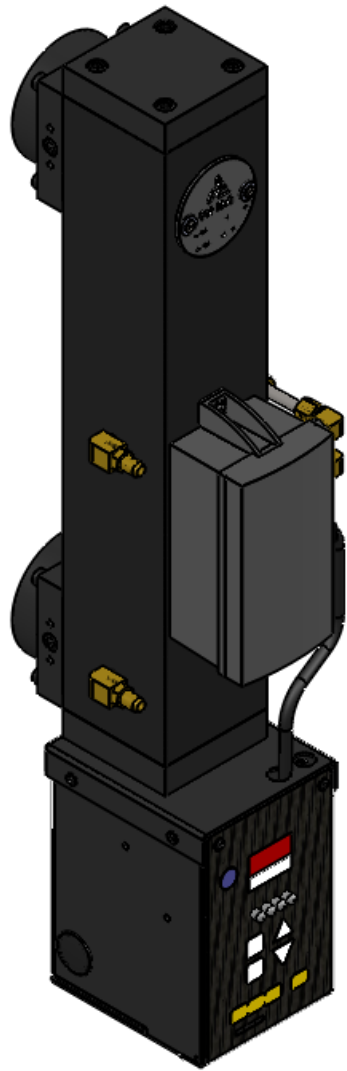
SECTION A-A
SCALE 1 : 4

PROPRIETARY AND CONFIDENTIAL
THE INFORMATION CONTAINED IN THIS DRAWING IS THE SOLE PROPERTY OF ATMOSPHERE ENGINEERING. ANY REPRODUCTION IN PART OR AS A WHOLE WITHOUT THE WRITTEN PERMISSION OF ATMOSPHERE ENGINEERING IS PROHIBITED.

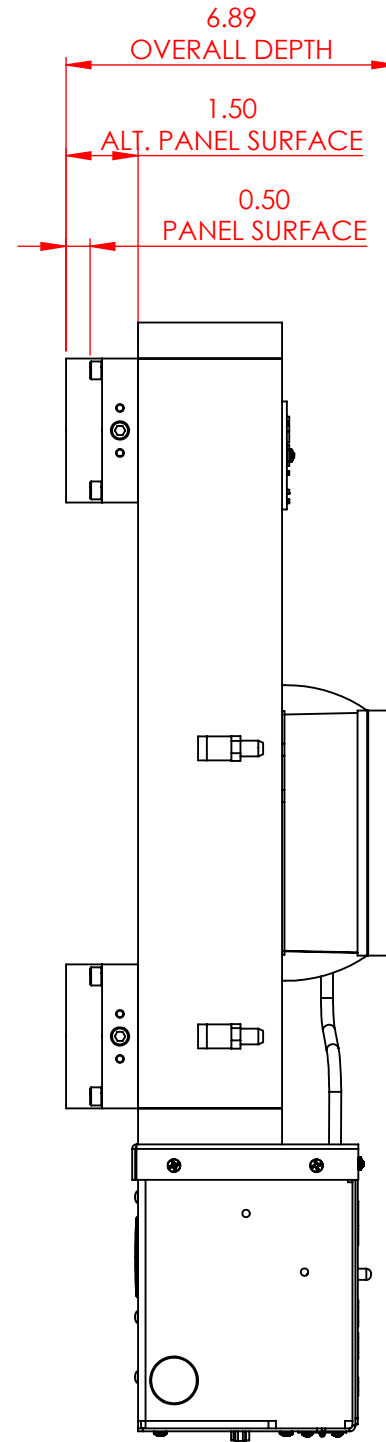
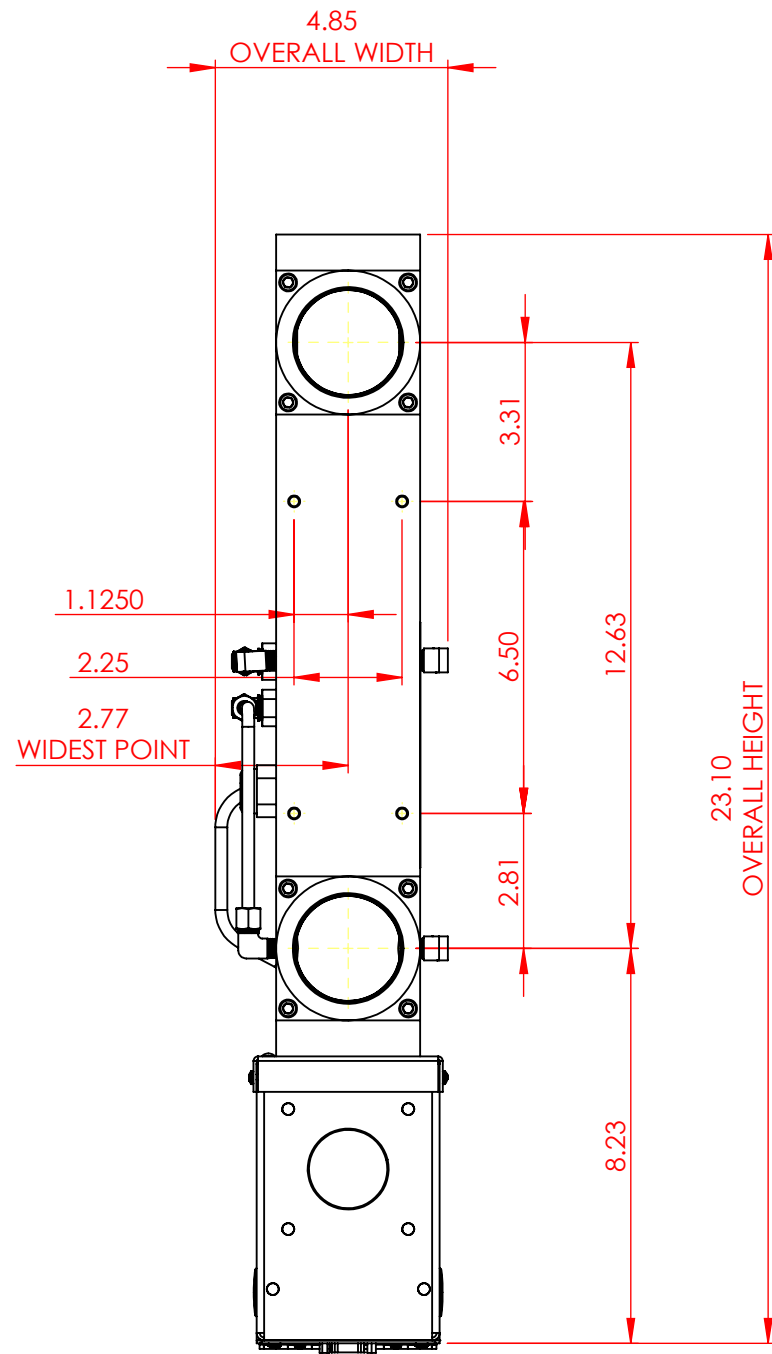
REV. ID	REVISION	DATE	INITIAL	REV #
--	--	--/--/--	--	--
--	--	--/--/--	--	--
--	--	--/--/--	--	--
DIMENSIONS ARE IN INCHES				
TOLERANCES:				
.XX ±.01				
.XXX ±.005				
.XXXX ±.0005				
MATERIAL		TITLE		
ASSEMBLY		FM-EB-NV-200N-DP05		
FINISH		SCALE: 1:4	SIZE B	DWG. NO. A-8931
ASSEMBLY		SHEET No. 2 of 3		REV. 0



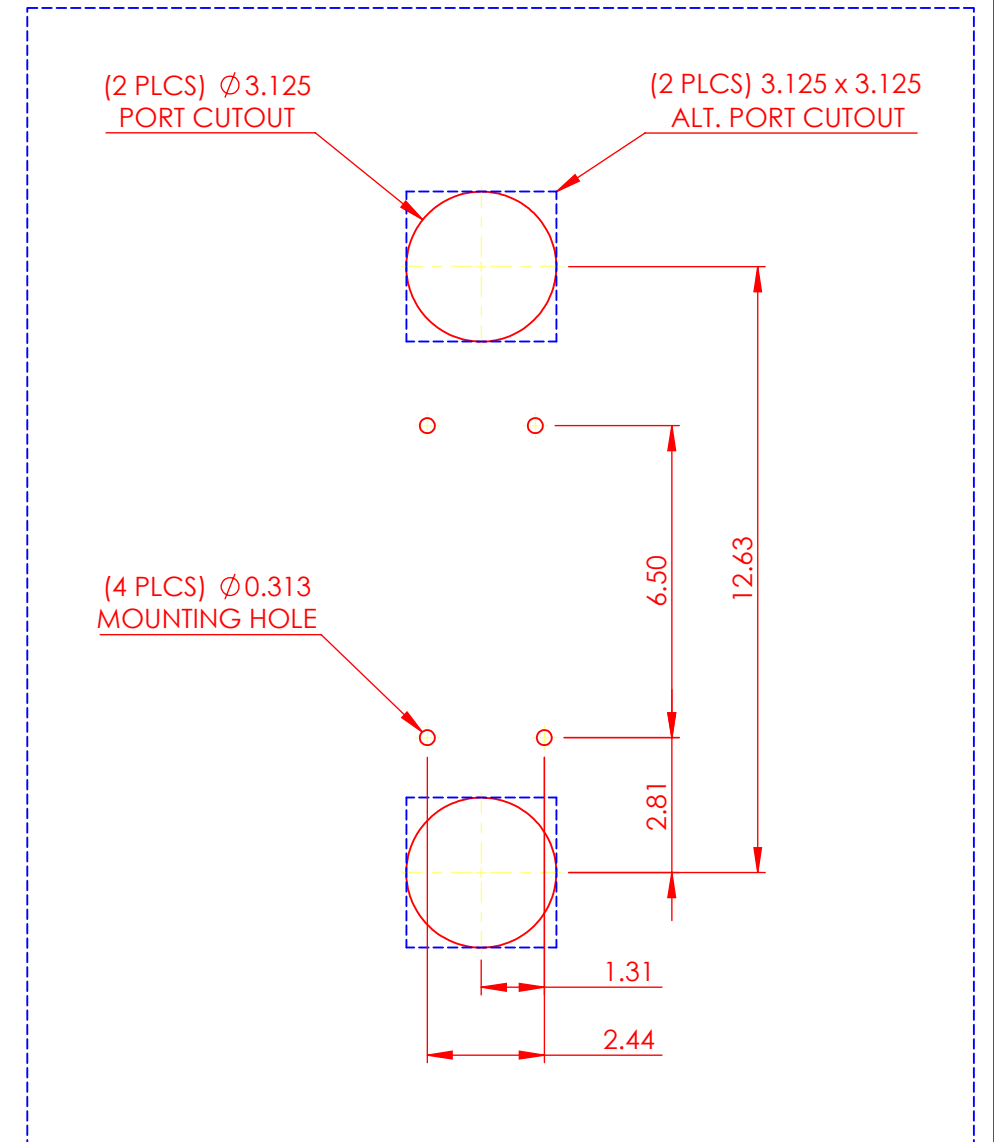
ATMOSPHERE ENGINEERING Co.
MILWAUKEE, WI U.S.A
ENGINEERING@ATMOSENG.COM



2" NPT PORTS



PANEL CUTOUT PROVISIONS



Note: Recommend additional 6" clearance (bottom) for DB9 cable.

PROPRIETARY AND CONFIDENTIAL
 THE INFORMATION CONTAINED IN THIS DRAWING IS THE SOLE PROPERTY OF ATMOSPHERE ENGINEERING. ANY REPRODUCTION IN PART OR AS A WHOLE WITHOUT THE WRITTEN PERMISSION OF ATMOSPHERE ENGINEERING IS PROHIBITED.

REV. ID	REVISION	DATE	INITIAL	REV #
--	--	--/--/--	--	--
--	--	--/--/--	--	--
--	--	--/--/--	--	--
DIMENSIONS ARE IN INCHES				
TOLERANCES:				
.XX	±.01			
.XXX	±.005			
.XXXX	±.0005			
MATERIAL		NAME	DATE	
ASSEMBLY		CPM	7/28/15	
FINISH		CHECKED	--	--
ASSEMBLY		TITLE		
		FM-EB-NV-200N-DP05		
SCALE: 1:4	SIZE B	DWG. NO. A-8931	SHEET No. 1 of 3	REV. 0



ATMOSPHERE ENGINEERING Co.
 MILWAUKEE, WI U.S.A
 ENGINEERING@ATMOSENG.COM