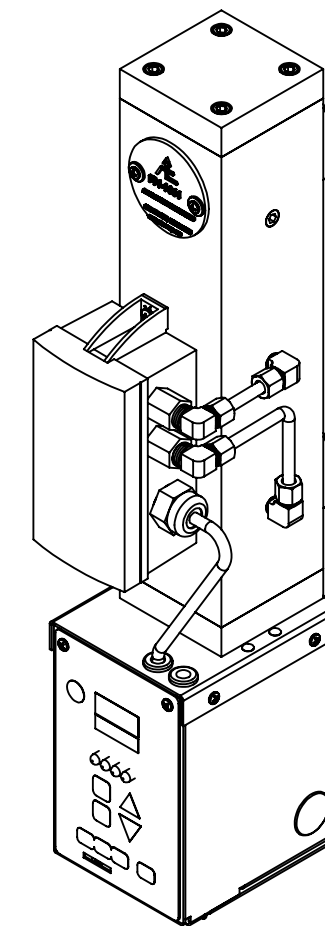
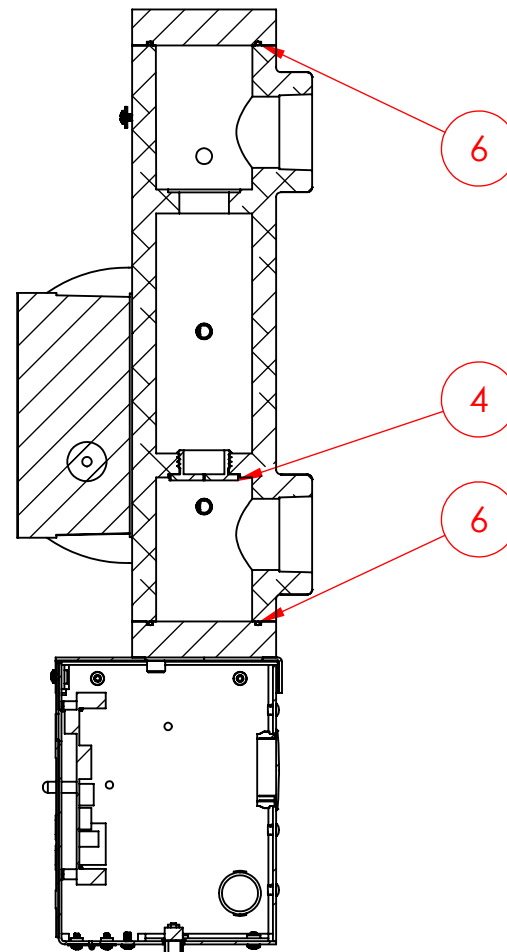
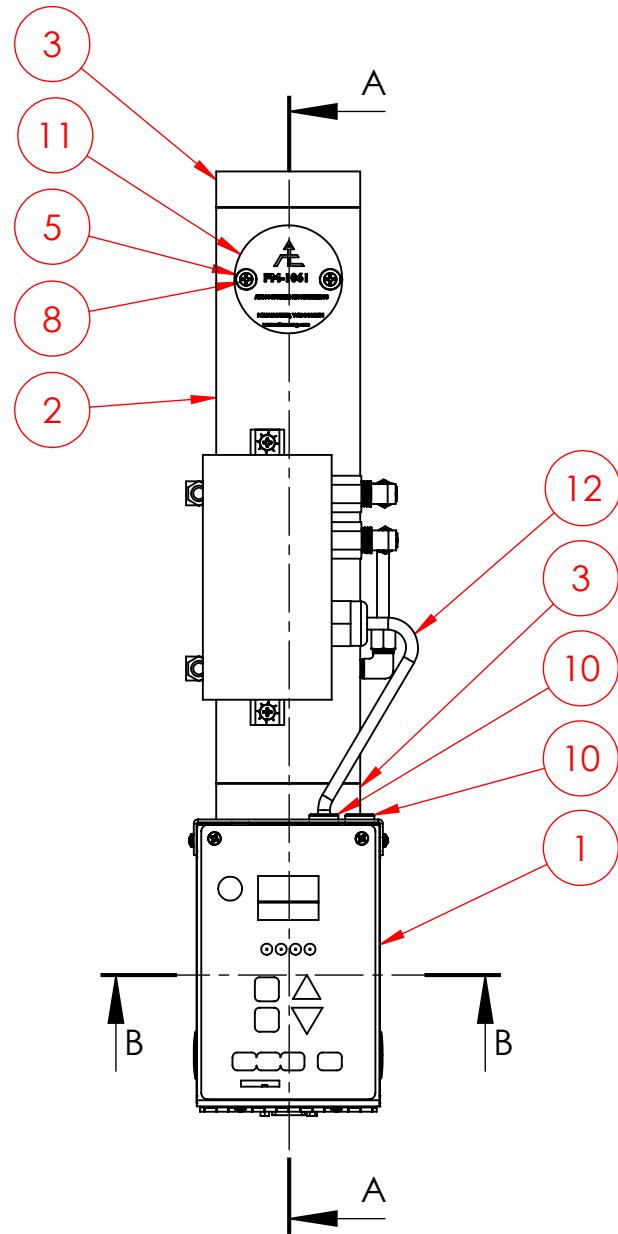
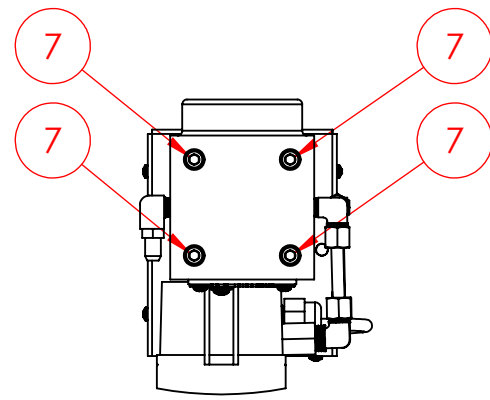


ITEM NO.	QTY.	PART NUMBER	DESCRIPTION
1	1	A-3068	FM-EB Electronic Flow Display Assembly
2	1	A-6685	1.25" NPT DP05 FurnaceMeter Body Assembly
3	2	D-2348	Blank Furnace Meter Flange
4	1	D-4029	Blank FurnaceMeter Orifice
5	2	H-1012	#8 Washer, .19" ID, .44" OD
6	2	H-1030	#139 O-Ring
7	6	H-1032	1/4-20 x .75"L Cap Screw
8	2	H-1048	#6-32 x .3125"L Pan Head Screw
9	2	H-1068	1/4-20 x 1.25" Cap Screw
10	2	H-1080	Rubber Grommet
11	1	L-403	Serial Plate Label
12	1	W-6363	18awg 2 Conductor Wire

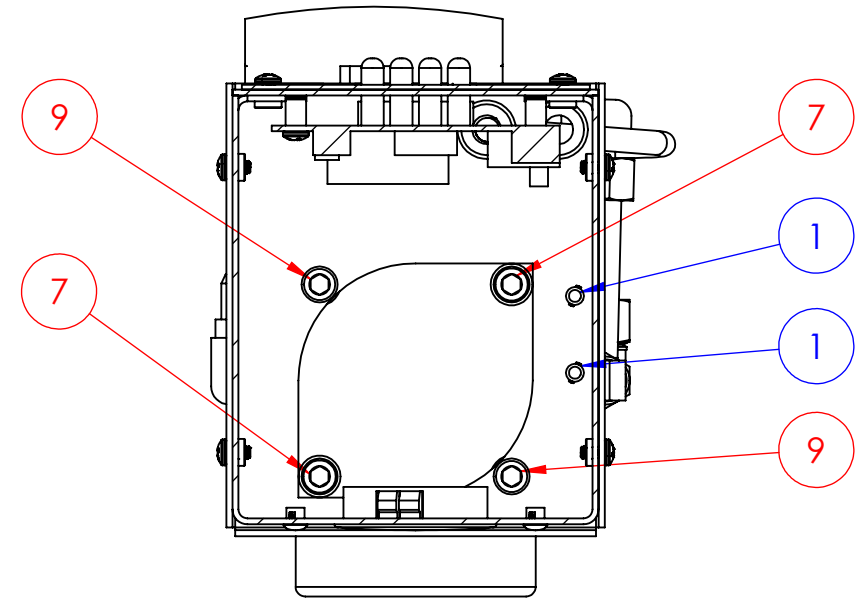


PROPRIETARY AND CONFIDENTIAL
 THE INFORMATION CONTAINED IN THIS DRAWING IS THE SOLE PROPERTY OF ATMOSPHERE ENGINEERING. ANY REPRODUCTION IN PART OR AS A WHOLE WITHOUT THE WRITTEN PERMISSION OF ATMOSPHERE ENGINEERING IS PROHIBITED.

REV. ID	REVISION	DATE	INITIAL	REV #
--	--	--/--/--	--	--
--	--	--/--/--	--	--
--	--	--/--/--	--	--
DIMENSIONS ARE IN INCHES		ATMOSPHERE ENGINEERING Co.		
TOLERANCES:		NAME	DATE	MILWAUKEE, WI U.S.A
.XX	±.01	DRAWN	NP	7/10/14
.XXX	±.005	CHECKED	--	--
.XXXX	±.0005	ENGINEERING@ATMOSENG.COM		
MATERIAL		TITLE		
ASSEMBLY		FM-EB-NV-125N-DP05		
FINISH		SCALE:1:4	SIZE B	DWG. NO. A-7259
ASSEMBLY		SHEET No. 1 of 3		REV. 1



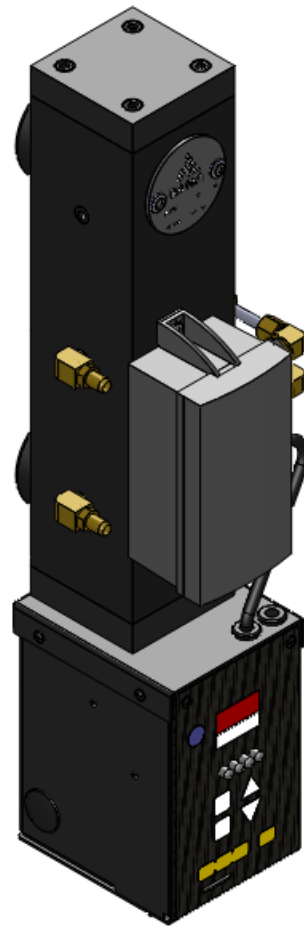
SECTION A-A



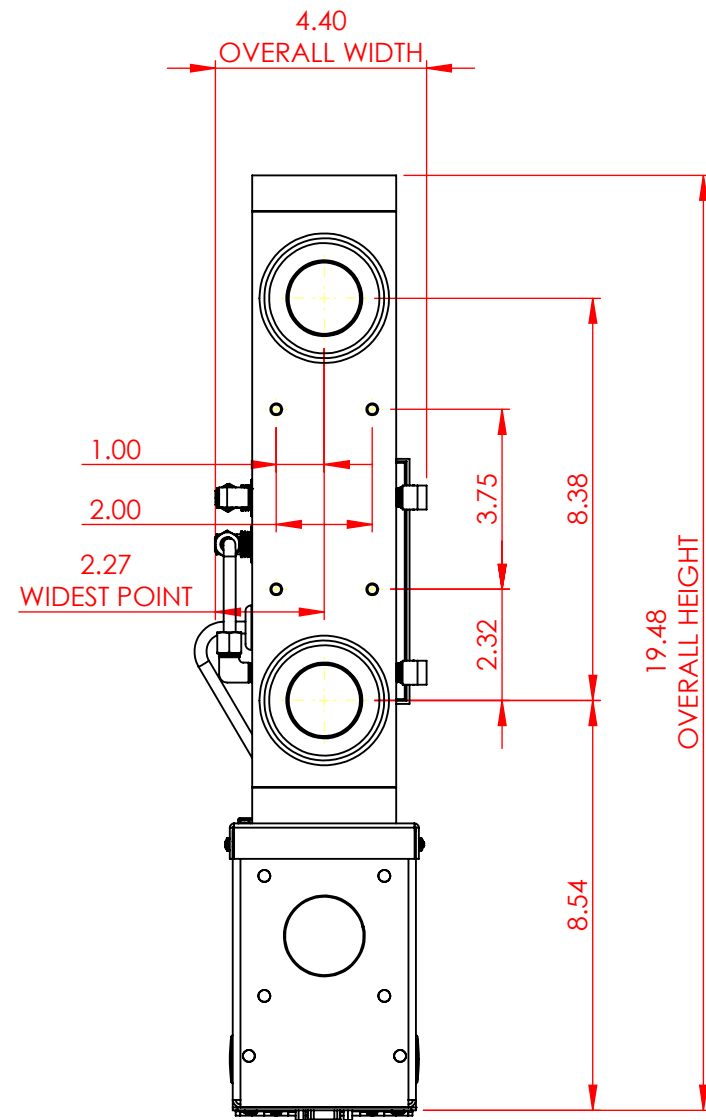
SECTION B-B
SCALE 1:2

PROPRIETARY AND CONFIDENTIAL
THE INFORMATION CONTAINED IN THIS DRAWING IS THE SOLE PROPERTY OF ATMOSPHERE ENGINEERING. ANY REPRODUCTION IN PART OR AS A WHOLE WITHOUT THE WRITTEN PERMISSION OF ATMOSPHERE ENGINEERING IS PROHIBITED.

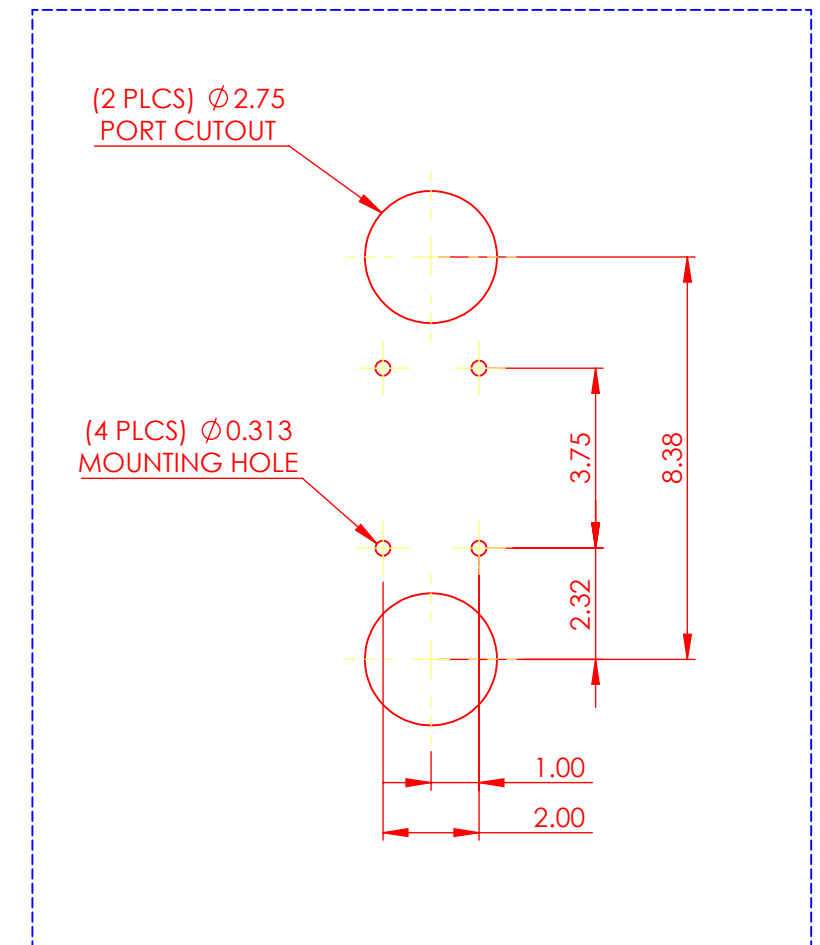
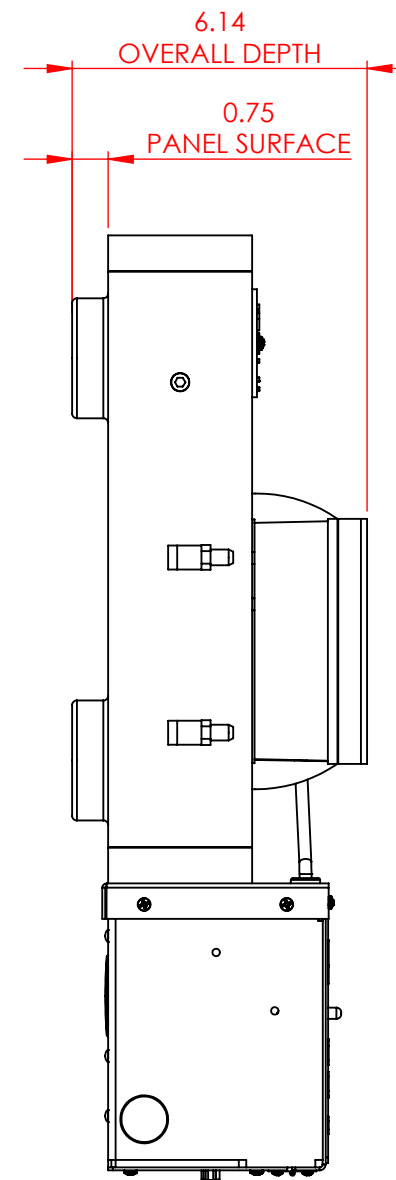
REV. ID	REVISION	DATE	INITIAL	REV #
DIMENSIONS ARE IN INCHES		ATMOSPHERE ENGINEERING Co.		
TOLERANCES:		NAME	DATE	MILWAUKEE, WI U.S.A
.XX	±.01	NP	7/10/14	ENGINEERING@ATMOSENG.COM
.XXX	±.005	CHECKED		
.XXXX	±.0005	TITLE		
MATERIAL		FM-EB-NV-125N-DP05		
ASSEMBLY		SCALE:1:4	SIZE B	DWG. NO. A-7259
FINISH		SHEET No. 2 of 3		REV. 1
ASSEMBLY				




1.25" NPT PORTS



PANEL CUTOUT PROVISIONS



PROPRIETARY AND CONFIDENTIAL
 THE INFORMATION CONTAINED IN THIS DRAWING IS THE SOLE PROPERTY OF ATMOSPHERE ENGINEERING. ANY REPRODUCTION IN PART OR AS A WHOLE WITHOUT THE WRITTEN PERMISSION OF ATMOSPHERE ENGINEERING IS PROHIBITED.

--	--	--/--/--	--	--
A	UPDATED DIMENSIONAL DRAWING	7/27/15	CPM	1
REV. ID	REVISION	DATE	INITIAL	REV #
DIMENSIONS ARE IN INCHES				
TOLERANCES:				
.XX	±.01			
.XXX	±.005			
.XXXX	±.0005			
MATERIAL		NAME	DATE	
ASSEMBLY		NP	7/10/14	
FINISH		CHECKED	--	--
ASSEMBLY		 ATMOSPHERE ENGINEERING Co. MILWAUKEE, WI U.S.A ENGINEERING@ATMOSENG.COM		
TITLE				
FM-EB-NV-125N-DP05 DIMENSIONAL DRAWING				
SCALE:1:4		SIZE	DWG. NO.	SHEET No.
		B	A-7259-DIM	3 of 3
				REV. 1