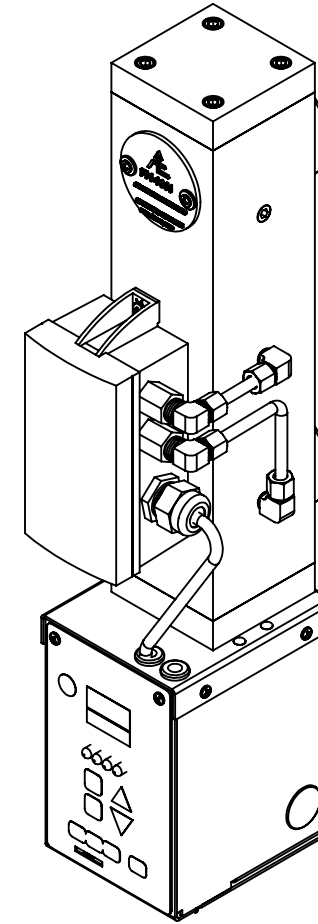


| ITEM NO. | QTY. | PART NUMBER | DESCRIPTION |
|----------|------|-------------|--|
| 1 | 1 | A-6687 | FM-EB-075N-DP05 Meter Body Assembly |
| 2 | 2 | D-2348 | Blank Furnace Meter Flange |
| 3 | 1 | D-4029 | Blank Furnace Meter Orifice |
| 4 | 2 | H-1012 | #8 Washer, .19" ID, .44" OD |
| 5 | 2 | H-1030 | #139 O-Ring |
| 6 | 6 | H-1032 | 1/4-20 x .75"L Cap Screw |
| 7 | 2 | H-1048 | #6-32 x .3125"L Pan Head Screw |
| 8 | 2 | H-1068 | 1/4-20 x 1.25" Cap Screw |
| 9 | 2 | H-1080 | Rubber Grommet |
| 10 | 1 | W-6363 | 18awg 2 Conductor Wire |
| 11 | 1 | A-3068 | FM-EB Electronic Flow Display Assembly |
| 12 | 1 | L-403 | Serial Plate Label |



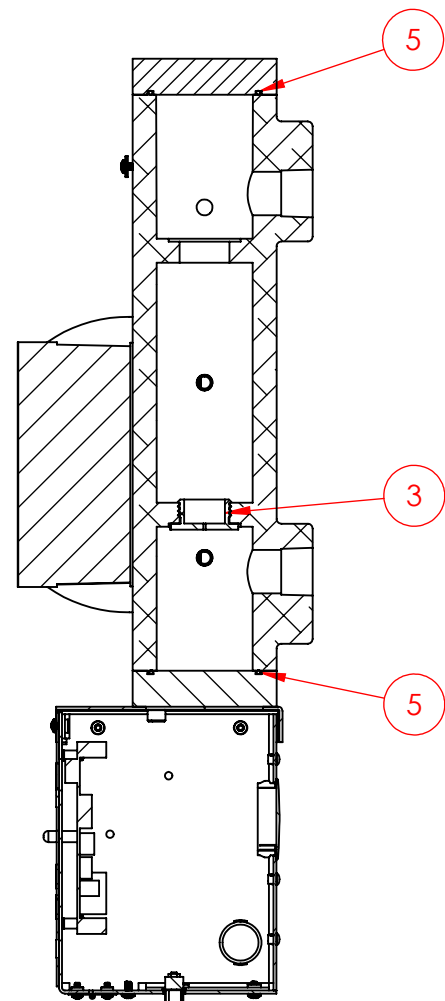
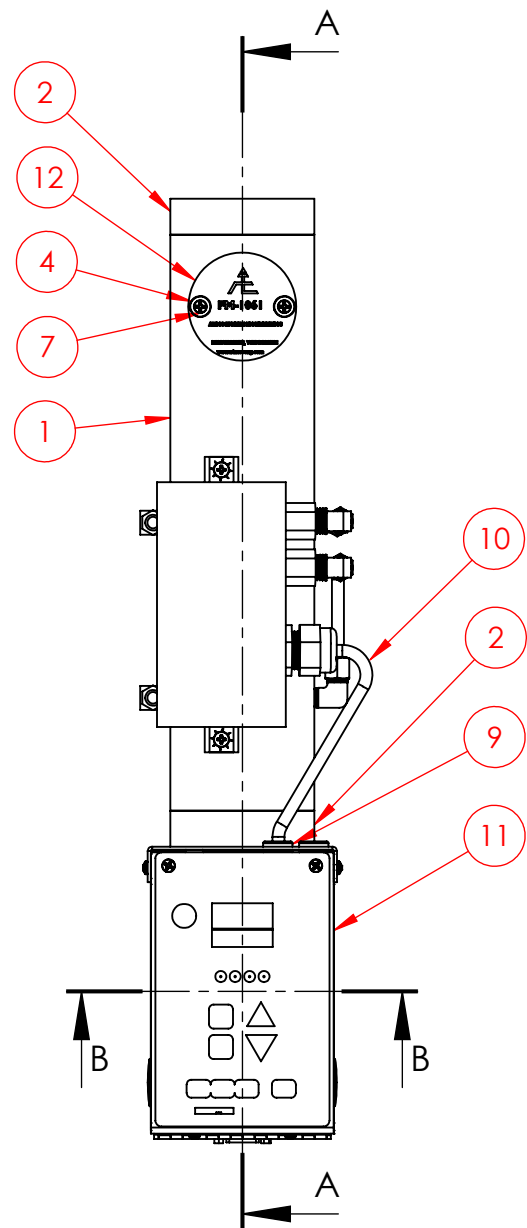
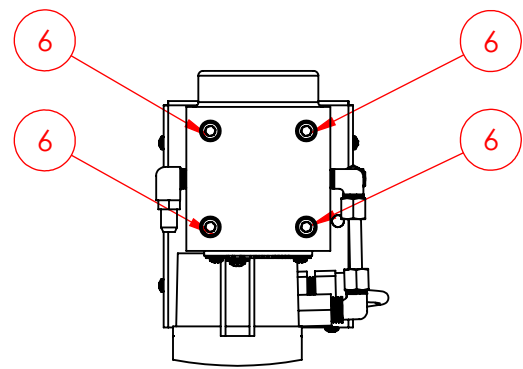
PROPRIETARY AND CONFIDENTIAL
 THE INFORMATION CONTAINED IN THIS DRAWING IS THE SOLE PROPERTY OF ATMOSPHERE ENGINEERING. ANY REPRODUCTION IN PART OR AS A WHOLE WITHOUT THE WRITTEN PERMISSION OF ATMOSPHERE ENGINEERING IS PROHIBITED.

| | | | | |
|--------------------------|----------|-----------------|-----------------|------------------|
| REV. ID | REVISION | DATE | INITIAL | REV # |
| -- | -- | --/--/-- | -- | -- |
| -- | -- | --/--/-- | -- | -- |
| -- | -- | --/--/-- | -- | -- |
| DIMENSIONS ARE IN INCHES | | TOLERANCES: | | |
| .XX ±.01 | | DRAWN NP 7/7/14 | | |
| .XXX ±.005 | | CHECKED -- -- | | |
| .XXXX ±.0005 | | TITLE | | |
| MATERIAL | | ASSEMBLY | | |
| FINISH | | ASSEMBLY | | |
| SCALE: 1:4 | | SIZE B | DWG. NO. A-7254 | SHEET No. 1 of 3 |
| | | REV. 1 | | |

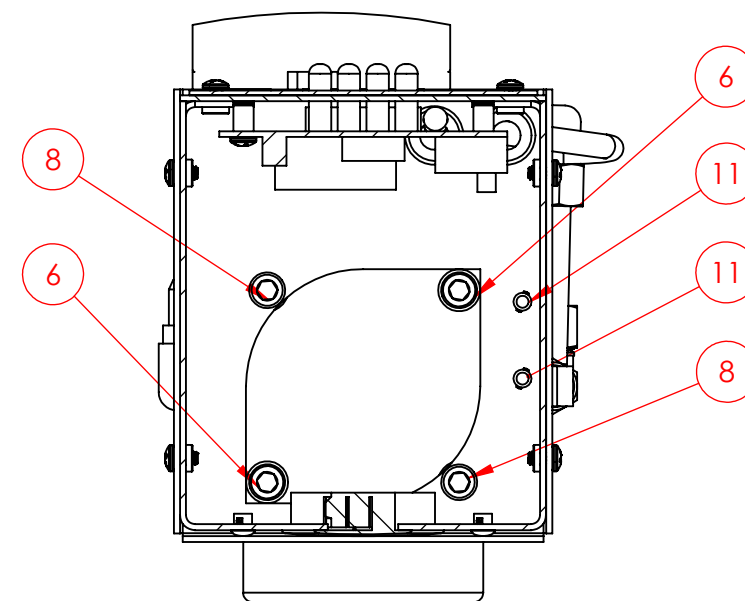


ATMOSPHERE ENGINEERING Co.
 MILWAUKEE, WI U.S.A
 ENGINEERING@ATMOSENG.COM

FM-EB-NV-075N-DP05




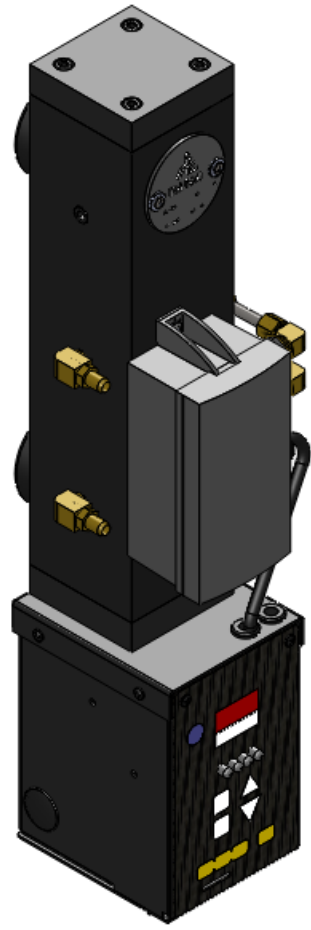
SECTION A-A



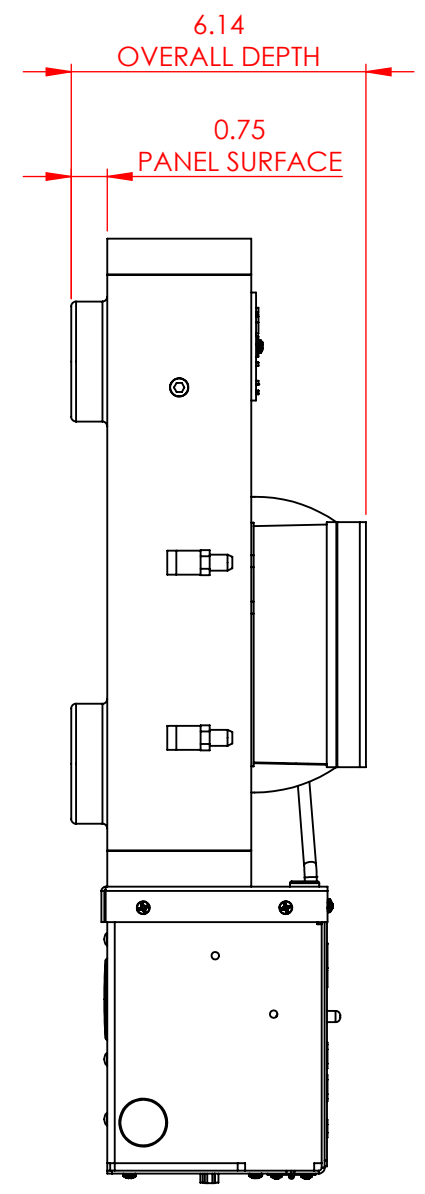
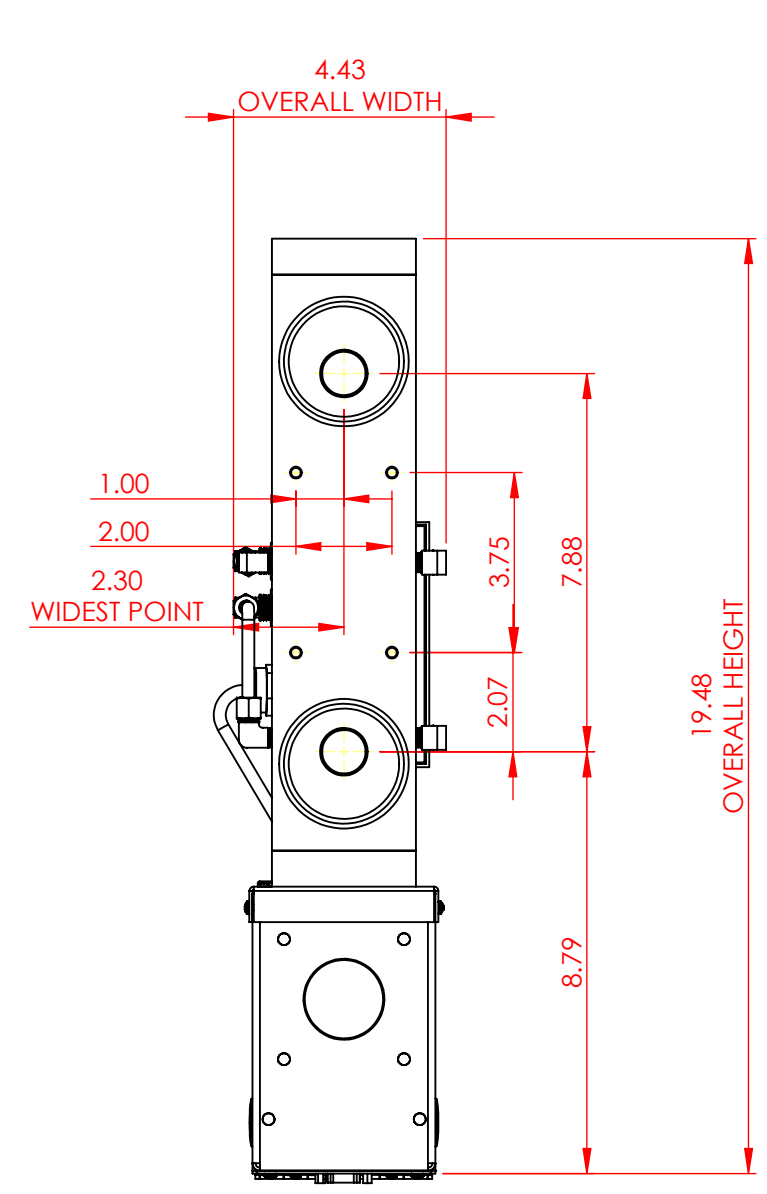
SECTION B-B
SCALE 1 : 2

PROPRIETARY AND CONFIDENTIAL
THE INFORMATION CONTAINED IN THIS DRAWING IS THE SOLE PROPERTY OF ATMOSPHERE ENGINEERING. ANY REPRODUCTION IN PART OR AS A WHOLE WITHOUT THE WRITTEN PERMISSION OF ATMOSPHERE ENGINEERING IS PROHIBITED.

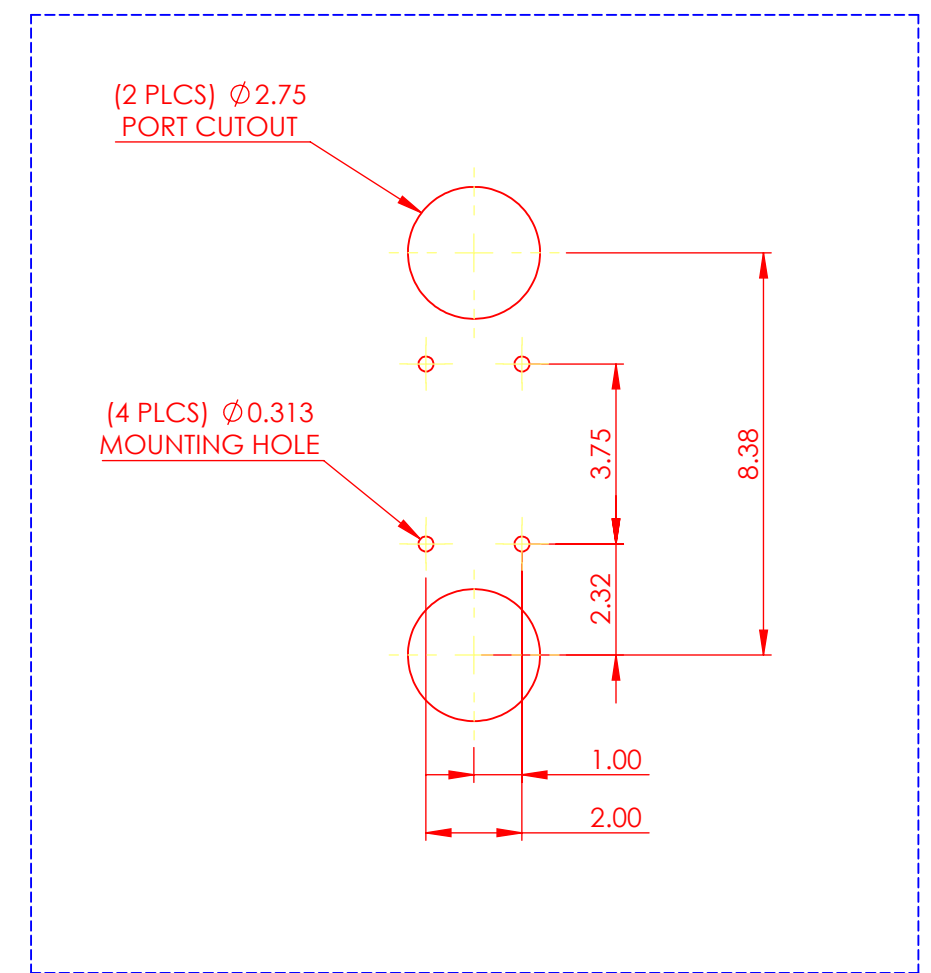
| | | | | |
|--------------------------|----------|---------------------------|-----------|--|
| REV. ID | REVISION | DATE | INITIAL | REV # |
| | | | | |
| | | | | |
| | | | | |
| DIMENSIONS ARE IN INCHES | | | | |
| TOLERANCES: | | NAME | DATE |  ATMOSPHERE ENGINEERING Co. MILWAUKEE, WI U.S.A ENGINEERING@ATMOSENG.COM |
| .XX | ±.01 | DRAWN | NP 7/7/14 | |
| .XXX | ±.005 | CHECKED | | |
| .XXXX | ±.0005 | | | |
| MATERIAL | | TITLE | | |
| ASSEMBLY | | FM-EB-NV-075N-DP05 | | |
| FINISH | | SCALE:1:4 | SIZE B | DWG. NO. A-7254 |
| ASSEMBLY | | SHEET No. 2 of 3 | | REV. 1 |



0.75" NPT PORTS



PANEL CUTOUT PROVISIONS



Note: Recommend additional 6" clearance (bottom) for DB9 cable

PROPRIETARY AND CONFIDENTIAL
 THE INFORMATION CONTAINED IN THIS DRAWING IS THE SOLE PROPERTY OF ATMOSPHERE ENGINEERING. ANY REPRODUCTION IN PART OR AS A WHOLE WITHOUT THE WRITTEN PERMISSION OF ATMOSPHERE ENGINEERING IS PROHIBITED.

| | | | | | |
|--------------------------|-----------------------------|--|-------------|---------------------|------------------|
| REV. ID | NAME | DATE | DATE | INITIAL | REV # |
| -- | -- | -- | -- | -- | -- |
| A | UPDATED DIMENSIONAL DRAWING | 7/27/15 | CPM | 1 | |
| DIMENSIONS ARE IN INCHES | | | TOLERANCES: | | |
| .XX ±.01 | | | .XXX ±.005 | | |
| .XXXX ±.0005 | | | | | |
| MATERIAL | | TITLE | | | |
| ASSEMBLY | | FM-EB-NV-075N-DP05 DIMENSIONAL DRAWING | | | |
| FINISH | | SCALE:1:4 | SIZE B | DWG. NO. A-7254-DIM | SHEET No. 3 of 3 |
| | | | | REV. 1 | |

