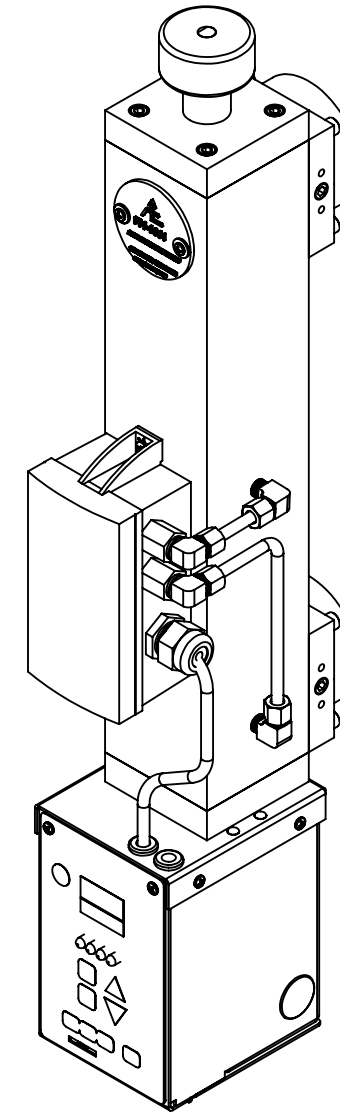
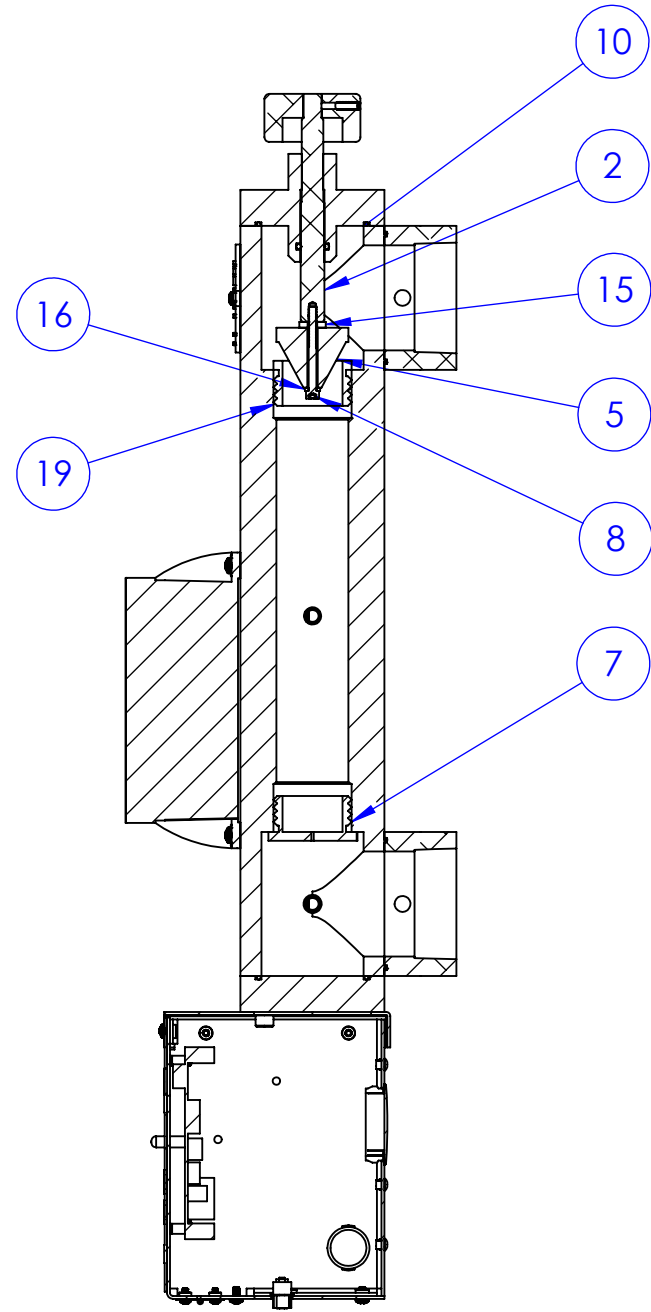
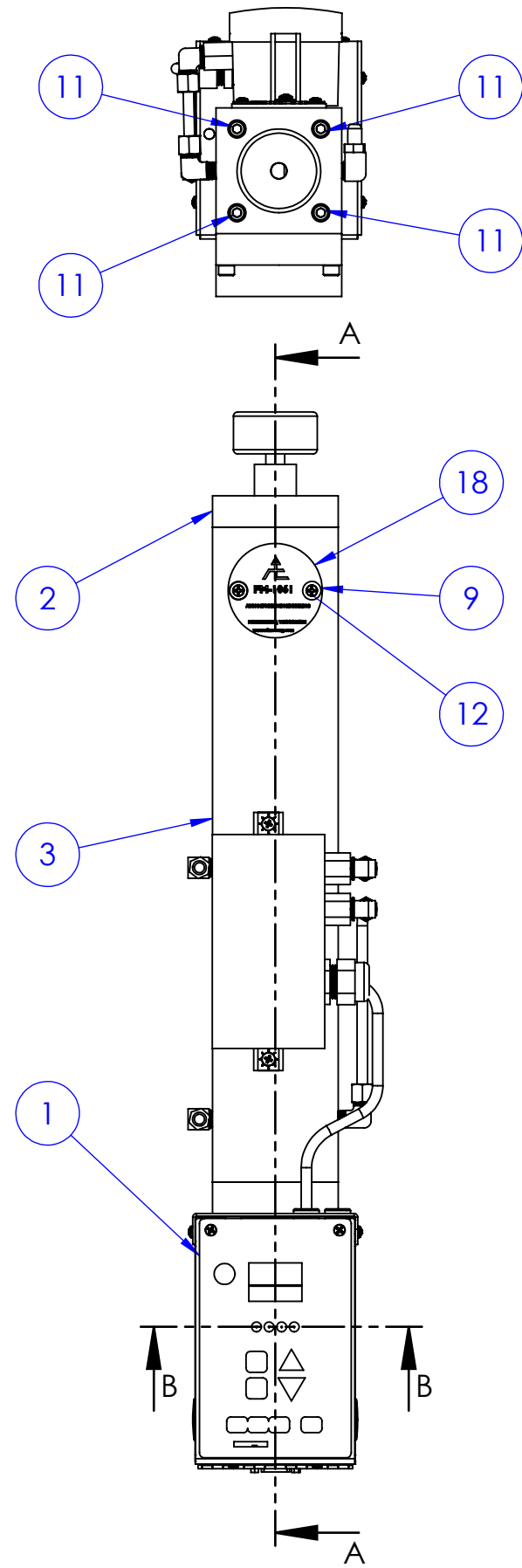


ITEM NO.	PART NUMBER	DESCRIPTION	QTY.
1	A-3068	FM-EB Electronic Flow Display Assembly	1
2	A-6698	FM Manual Valve Assembly	1
3	A-6782	FM-EB-200N-DP05 Meter Body Assy	1
4	D-2348	Blank Furnace Meter Flange	1
5	D-3361	E-Valve Needle (1.25" Valve Seat)	1
19	D-3862	2in FurnaceMeter Nylon Valve Seat	1
7	D-3864	2in FurnaceMeter Blank Orifice	1
8	H-1010	#8-32 X 1.75"L Cap Screw	1
9	H-1012	#8 Washer, .19" ID, .44" OD	2
10	H-1030	#139 O-Ring	2
11	H-1032	1/4-20 x .75"L Cap Screw	6
12	H-1048	#6-32 x .3125"L Pan Head Screw	2
13	H-1068	1/4-20 x 1.25" Cap Screw	2
14	H-1080	Rubber Grommet	2
15	H-1096	Rubber Washer, #10 Screw .56"OD	1
16	H-1097	Rubber Washer, #8 Screw .31"OD	1
17	H-2478	#8-32 Set Screw	1
18	L-403	Serial Plate Label	1
19	W-6363	18awg 2 Conductor Wire	1

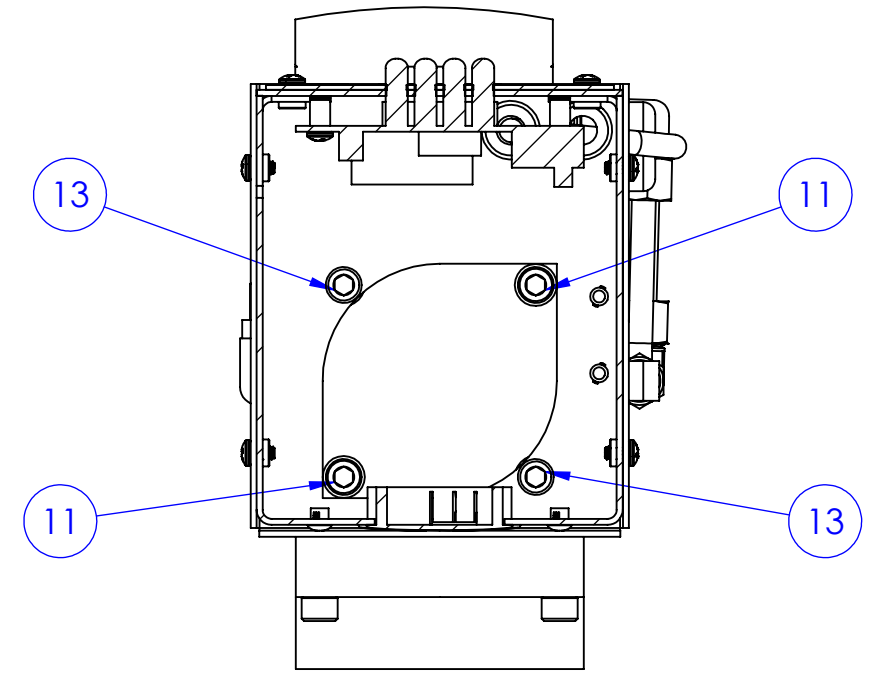
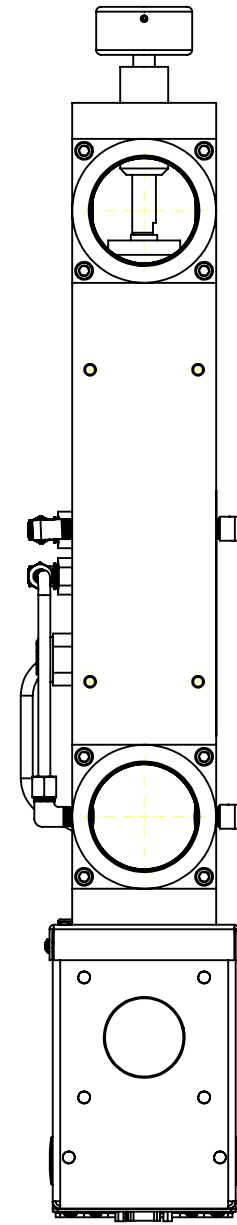


PROPRIETARY AND CONFIDENTIAL
 THE INFORMATION CONTAINED IN THIS DRAWING IS THE SOLE PROPERTY OF ATMOSPHERE ENGINEERING. ANY REPRODUCTION IN PART OR AS A WHOLE WITHOUT THE WRITTEN PERMISSION OF ATMOSPHERE ENGINEERING IS PROHIBITED.

---	---	---	---	---	---
---	---	---	---	---	---
---	---	---	---	---	---
REV. ID	REVISION			DATE	INITIAL
DIMENSIONS ARE IN INCHES					
TOLERANCES:					
.XX ±.01					
.XXX ±.005					
.XXXX ±.0005					
DRAWN		NAME	DATE	ATMOSPHERE ENGINEERING Co.	
CHECKED		---	---	MILWAUKEE, WI U.S.A	
MATERIAL		ENGINEERING@ATMOSENG.COM			
ASSEMBLY		TITLE			
ASSEMBLY		FM-EB-MVM-200N-DP05			
FINISH		SCALE: 1:4	SIZE B	DWG. NO. A-8938	SHEET No. 1 of 3
				REV. 0	



SECTION A-A
SCALE 1 : 4



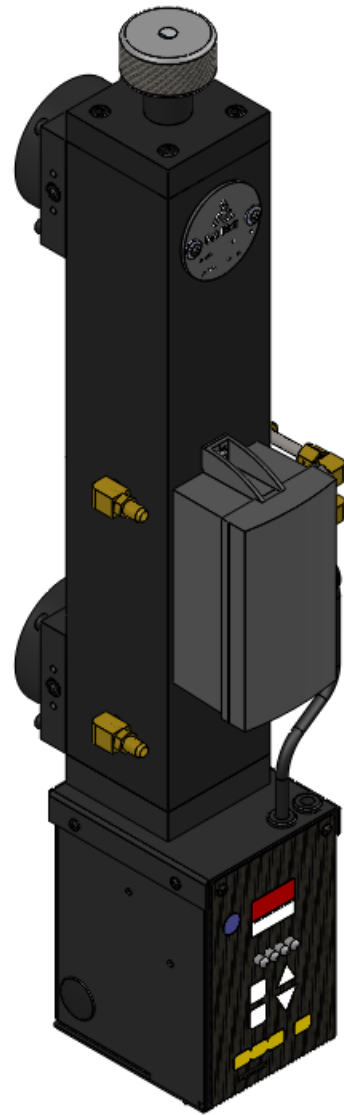
SECTION B-B
SCALE 1 : 2

PROPRIETARY AND CONFIDENTIAL
THE INFORMATION CONTAINED IN THIS DRAWING IS THE SOLE PROPERTY OF ATMOSPHERE ENGINEERING. ANY REPRODUCTION IN PART OR AS A WHOLE WITHOUT THE WRITTEN PERMISSION OF ATMOSPHERE ENGINEERING IS PROHIBITED.

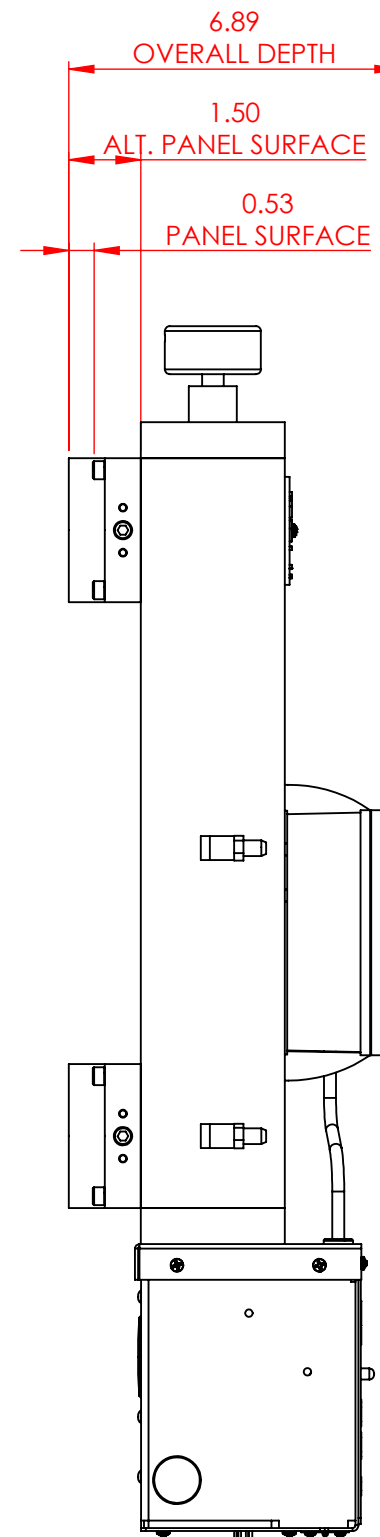
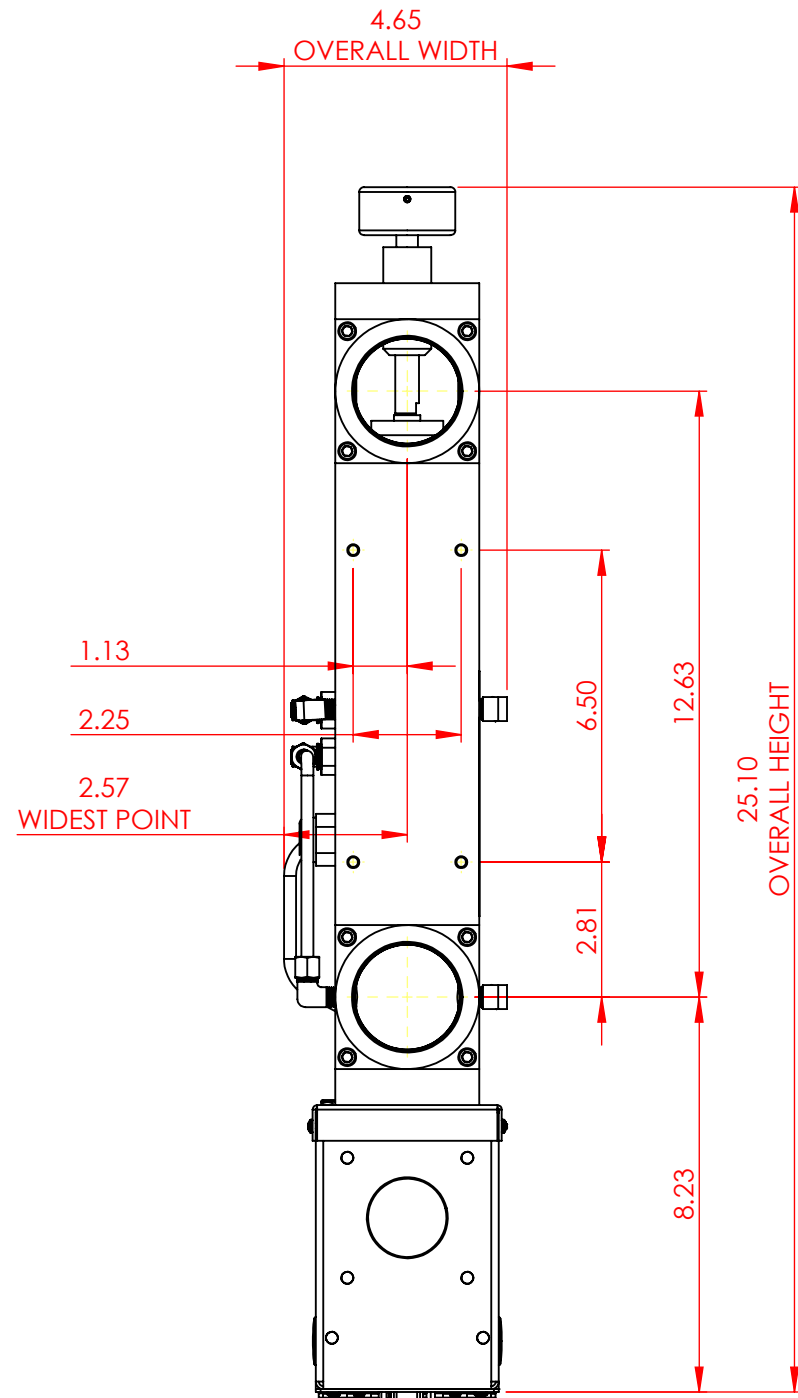
REV. ID	REVISION	DATE	INITIAL	REV #
--	--	--/--/--	--	--
--	--	--/--/--	--	--
--	--	--/--/--	--	--
DIMENSIONS ARE IN INCHES				
TOLERANCES:		NAME	DATE	
.XX	±.01	CPM	7/30/15	
.XXX	±.005	CHECKED	--	--
.XXXX	±.0005			
MATERIAL		TITLE		
ASSEMBLY		FM-EB-MVM-200N-DP05		
FINISH		SCALE: 1:4	SIZE B	DWG. NO. A-8938
ASSEMBLY		SHEET No. 2 of 3		REV. 0



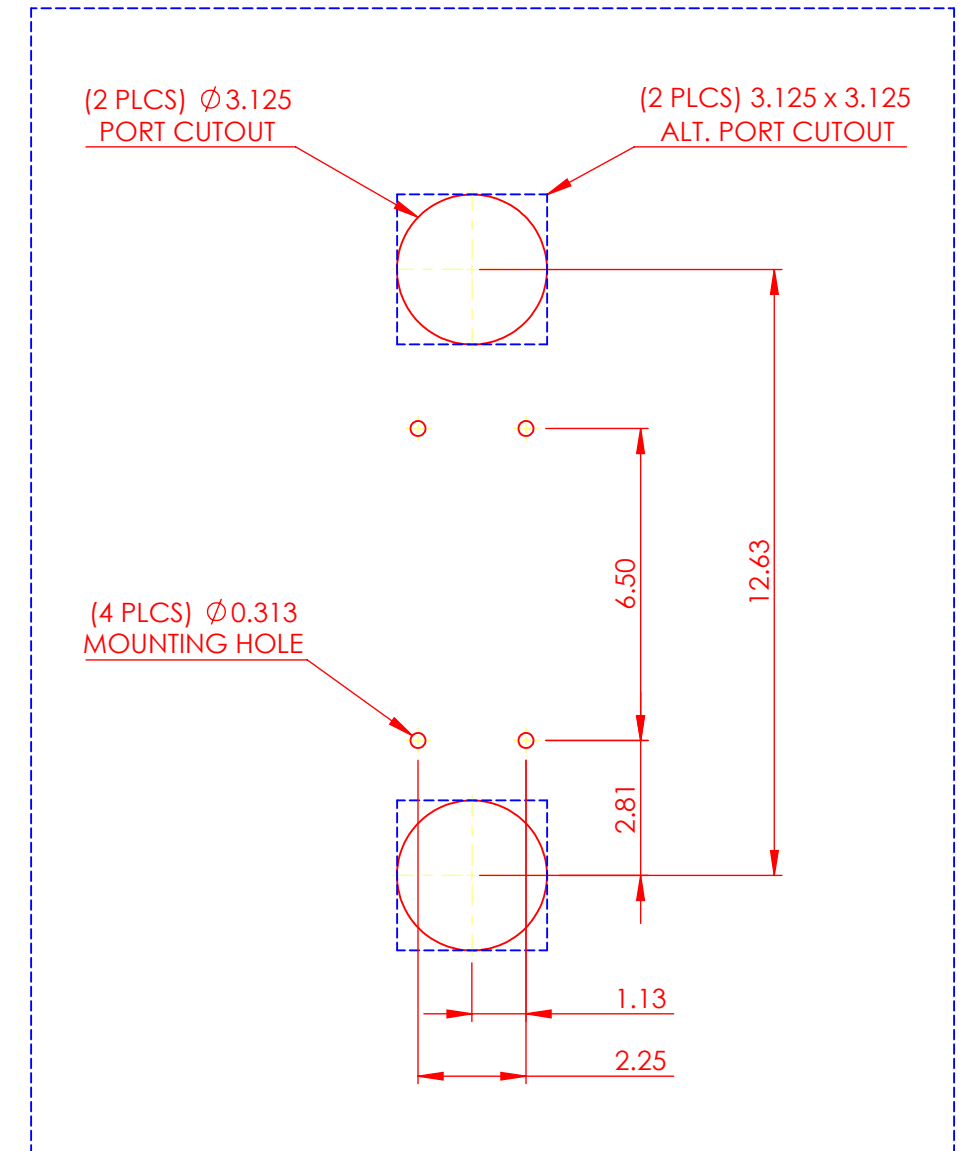
ATMOSPHERE ENGINEERING Co.
MILWAUKEE, WI U.S.A
ENGINEERING@ATMOSENG.COM



2" NPT PORTS



PANEL CUTOUT PROVISIONS



Note: Recommend additional 6" clearance (bottom) for DB9 cable.

PROPRIETARY AND CONFIDENTIAL
 THE INFORMATION CONTAINED IN THIS DRAWING IS THE SOLE PROPERTY OF ATMOSPHERE ENGINEERING. ANY REPRODUCTION IN PART OR AS A WHOLE WITHOUT THE WRITTEN PERMISSION OF ATMOSPHERE ENGINEERING IS PROHIBITED.

REV. ID	REVISION	DATE	INITIAL	REV #
--	--	--/--/--	--	--
--	--	--/--/--	--	--
--	--	--/--/--	--	--
DIMENSIONS ARE IN INCHES				
TOLERANCES:				
.XX	±.01			
.XXX	±.005			
.XXXX	±.0005			
MATERIAL		NAME	DATE	
ASSEMBLY		CPM	7/30/15	
FINISH		CHECKED	--	--
ASSEMBLY		TITLE		
		FM-EB-MVM-200N-DP05		
SCALE: 1:4	SIZE B	DWG. NO. A-8938	SHEET No. 3 of 3	REV. 0



ATMOSPHERE ENGINEERING Co.
 MILWAUKEE, WI U.S.A
 ENGINEERING@ATMOSENG.COM