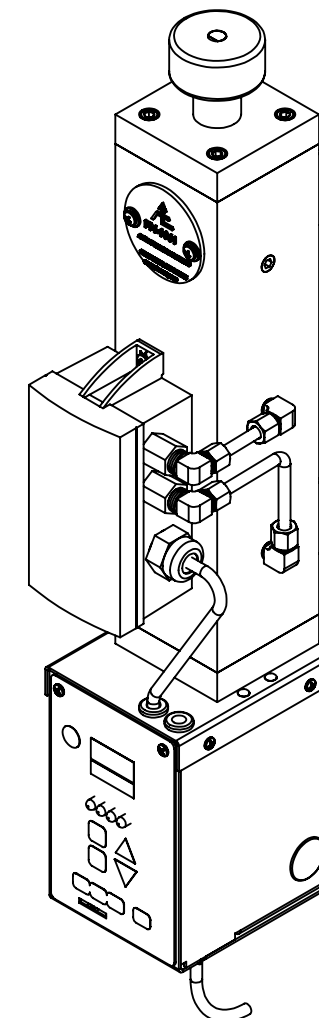

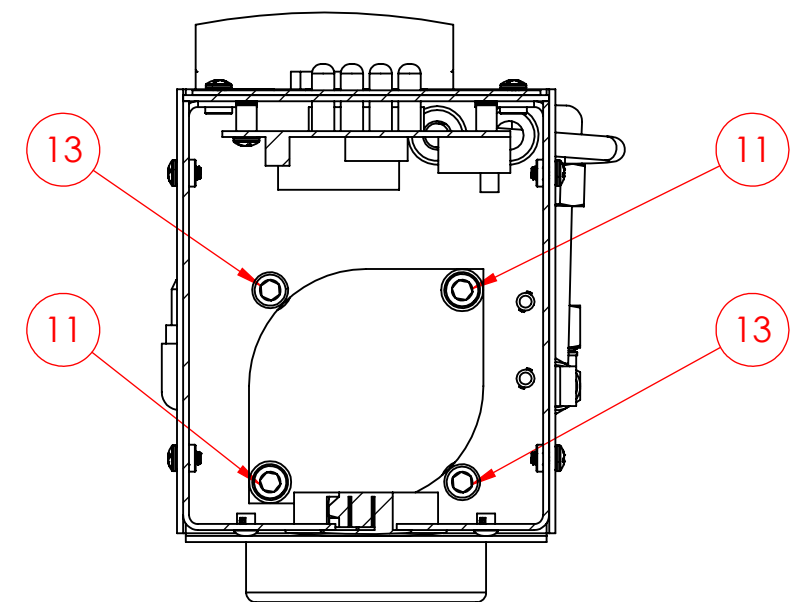
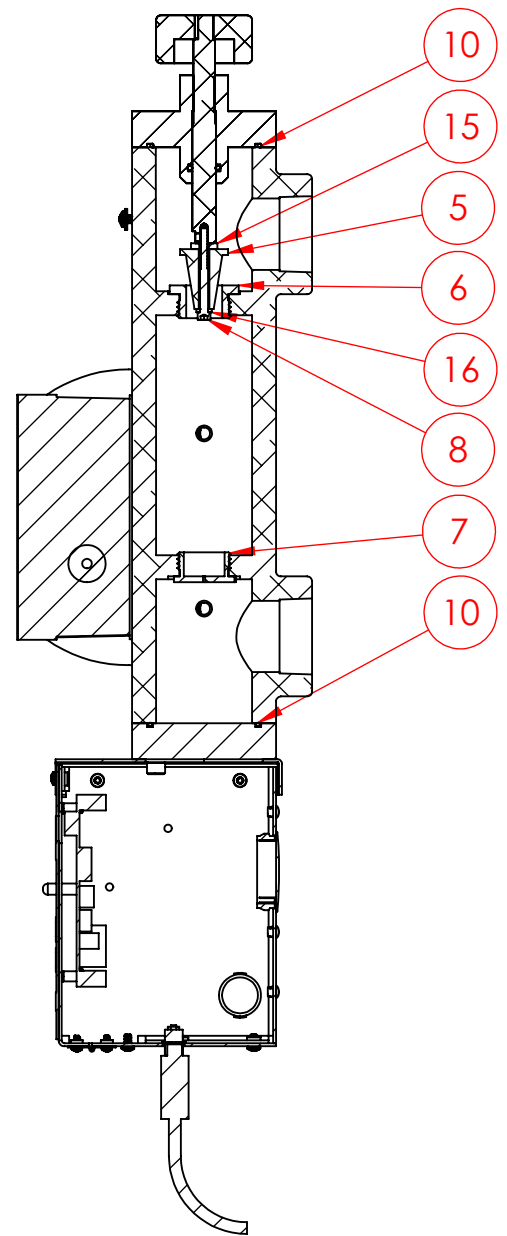
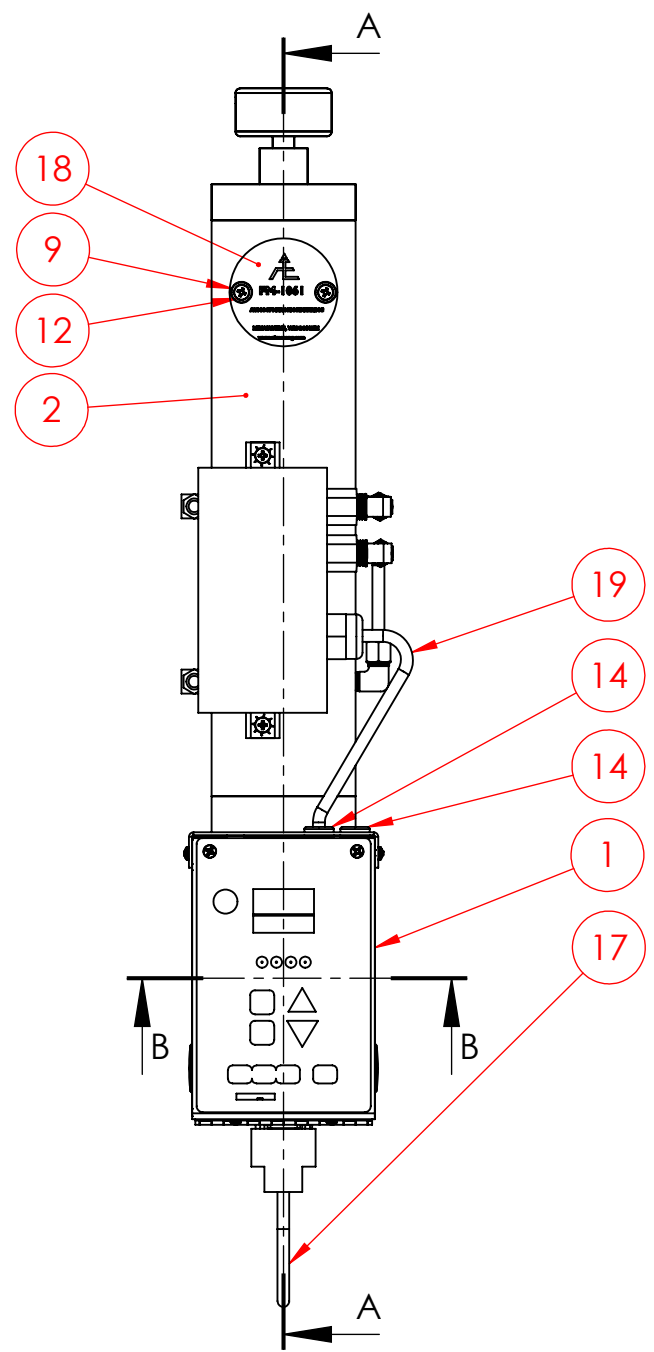
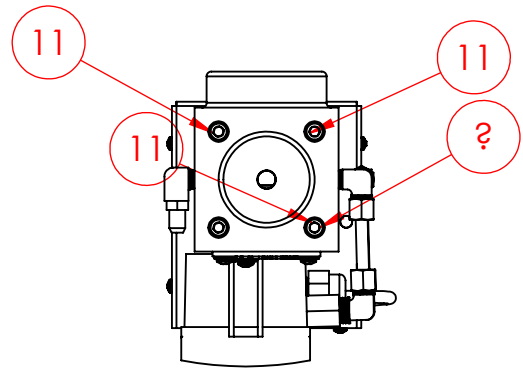


ITEM NO.	QTY.	PART NUMBER	DESCRIPTION
1	1	A-3068	FM-EB Electronic Flow Display Assembly
2	1	A-6685	1.25" NPT DP05 FurnaceMeter Body Assembly
3	2	A-6698	FM Manual Valve Assembly
4	1	D-2348	Blank Furnace Meter Flange
5	1	D-3748	E-Valve Needle EVM (.75" Valve Seat)
6	1	D-3962	.75" Nylon Valve Seat
7	1	D-4029	Blank FurnaceMeter Orifice
8	1	H-1010	#8-32 X 1.75"L Cap Screw
9	2	H-1012	#8 Washer, .19" ID, .44" OD
10	2	H-1030	#139 O-Ring
11	6	H-1032	1/4-20 x .75"L Cap Screw
12	2	H-1059	#8-32 X .31L Phillips Head Screw
13	2	H-1068	1/4-20 x 1.25" Cap Screw
14	2	H-1080	Rubber Grommet
15	1	H-1096	Rubber Washer, #10 Screw .56"OD
16	1	H-1097	Rubber Washer, #8 Screw .31"OD
17	1	H-1115	DB-9 Cable(8Ft)
18	1	L-403	Serial Plate Label
19	1	W-6363	18awg 2 Conductor Wire



**PROPRIETARY AND CONFIDENTIAL**  
 THE INFORMATION CONTAINED IN THIS  
 DRAWING IS THE SOLE PROPERTY OF  
 ATMOSPHERE ENGINEERING. ANY  
 REPRODUCTION IN PART OR AS A WHOLE  
 WITHOUT THE WRITTEN PERMISSION OF  
 ATMOSPHERE ENGINEERING IS  
 PROHIBITED.

REV. ID	REVISION	DATE	INITIAL	REV #
--	--	--/--/--	--	--
--	--	--/--/--	--	--
--	--	--/--/--	--	--
DIMENSIONS ARE IN INCHES		NAME	DATE	 <b>ATMOSPHERE ENGINEERING Co.</b> MILWAUKEE, WI U.S.A ENGINEERING@ATMOSENG.COM
TOLERANCES:		DRAWN	6/9/14	
.XX ±.01		CHECKED	--	
.XXX ±.005		TITLE		
.XXX ±.005		ASSEMBLY		
FINISH		SCALE:1:4	SIZE	DWG. NO.
ASSEMBLY		B	A-7135	SHEET No.
				1 of 3
				REV. 1

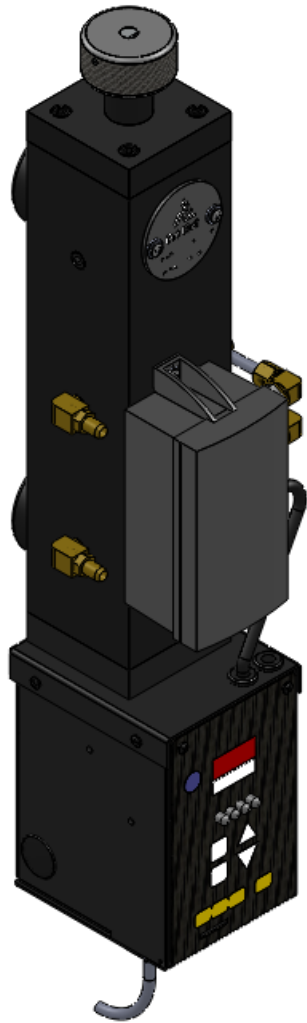


SECTION B-B  
SCALE 1 : 2

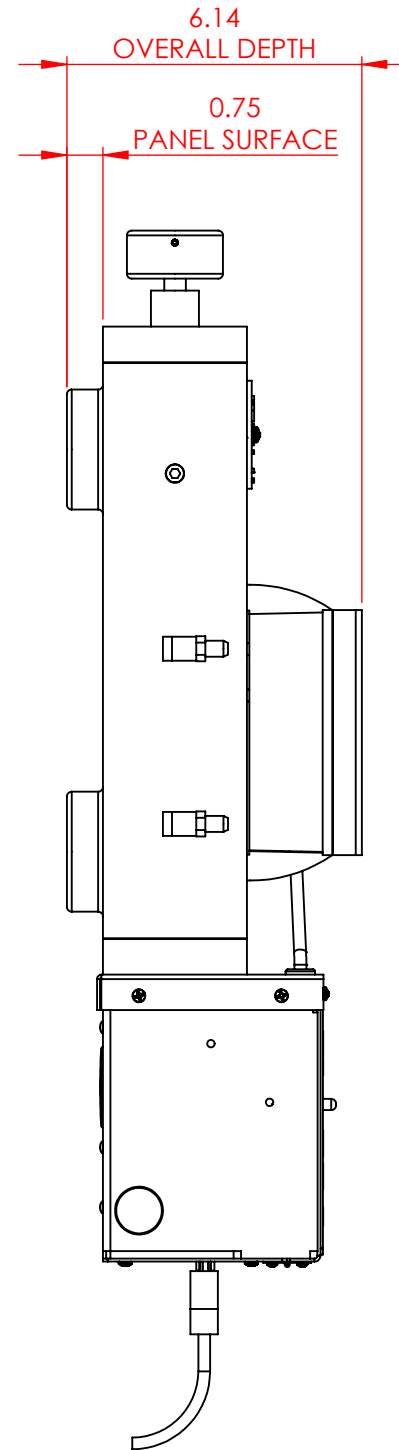
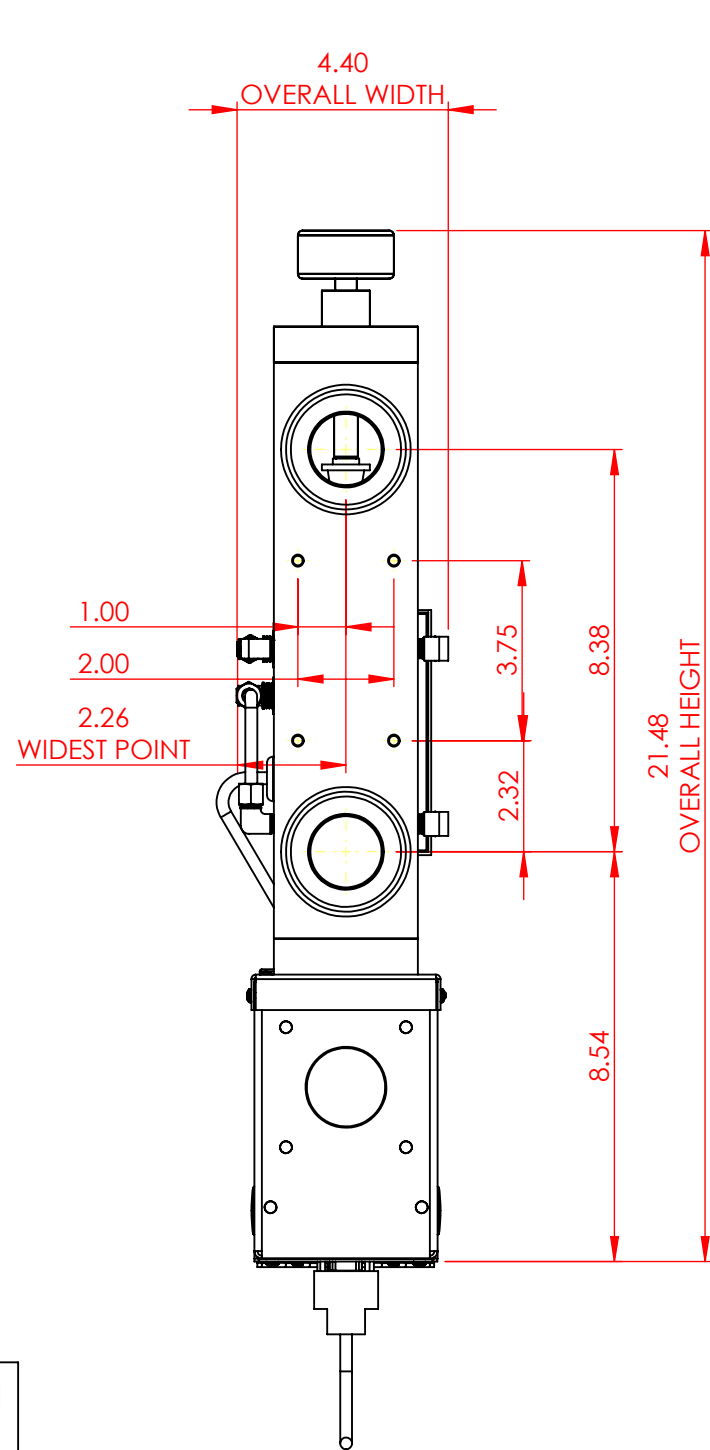
SECTION A-A

**PROPRIETARY AND CONFIDENTIAL**  
THE INFORMATION CONTAINED IN THIS DRAWING IS THE SOLE PROPERTY OF ATMOSPHERE ENGINEERING. ANY REPRODUCTION IN PART OR AS A WHOLE WITHOUT THE WRITTEN PERMISSION OF ATMOSPHERE ENGINEERING IS PROHIBITED.

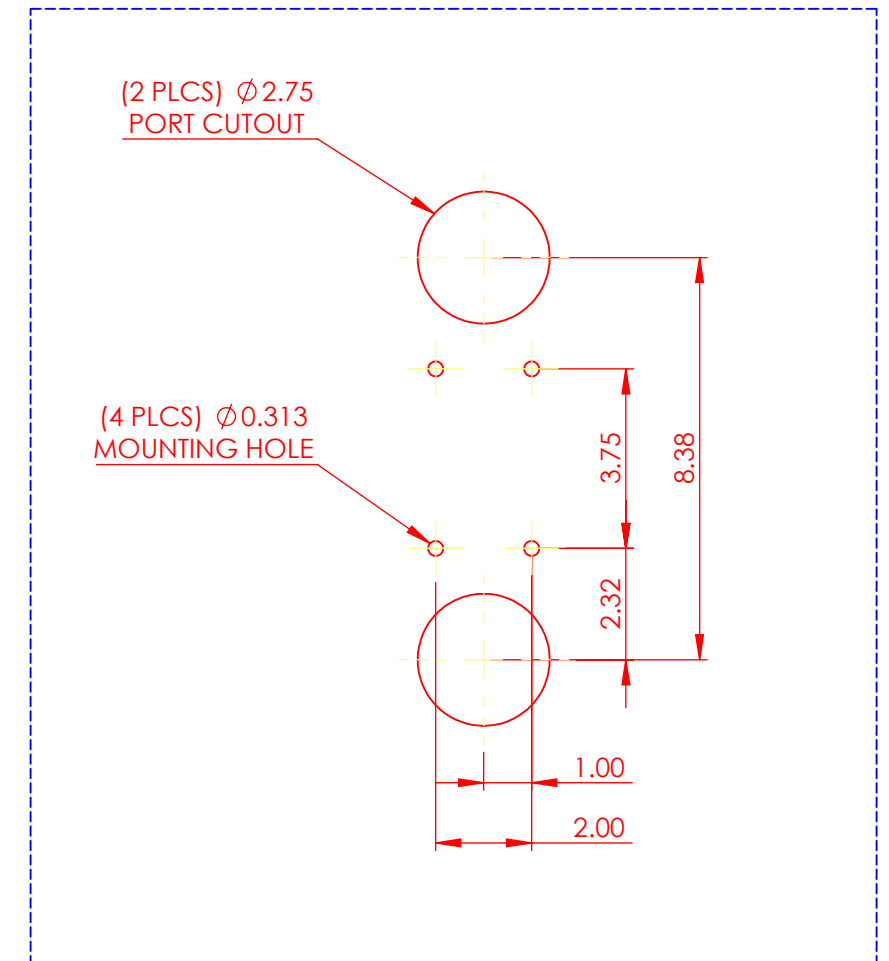
REV. ID	REVISION	DATE	INITIAL	REV #
--	--	--/--/--	--	--
--	--	--/--/--	--	--
--	--	--/--/--	--	--
DIMENSIONS ARE IN INCHES				
TOLERANCES:		NAME	DATE	
.XX	±.01	NP	6/9/14	
.XXX	±.005	CHECKED	--	--
.XXXX	±.0005	TITLE		
MATERIAL		FM-EB-MVM-125N-DP05		
ASSEMBLY		SCALE:1:4	SIZE B	DWG. NO. A-7135
FINISH		SHEET No. 2 of 3		REV. 1
ASSEMBLY		ATMOSPHERE ENGINEERING Co. MILWAUKEE, WI U.S.A ENGINEERING@ATMOSENG.COM		



### 1.25" NPT PORTS



### PANEL CUTOUT PROVISIONS



Note: Recommend additional 6" clearance (bottom) for DB9 cable.

**PROPRIETARY AND CONFIDENTIAL**  
THE INFORMATION CONTAINED IN THIS DRAWING IS THE SOLE PROPERTY OF ATMOSPHERE ENGINEERING. ANY REPRODUCTION IN PART OR AS A WHOLE WITHOUT THE WRITTEN PERMISSION OF ATMOSPHERE ENGINEERING IS PROHIBITED.

REV. ID	REVISION	DATE	INITIAL	REV #
--	--	--/--/--	--	--
A	UPDATED DIMENSIONAL DRAWING	7/28/15	CPM	1
DIMENSIONS ARE IN INCHES		TOLERANCES:		
.XX ±.01		DRAWN NP 6/9/14		
.XXX ±.005		CHECKED -- --		
.XXXX ±.0005		ATMOSPHERE ENGINEERING Co. MILWAUKEE, WI U.S.A ENGINEERING@ATMOSENG.COM		
MATERIAL		TITLE		
ASSEMBLY		FM-EB-MVM-125N-DP05 DIMENSIONAL DRAWING		
FINISH		SCALE:1:4	SIZE B	DWG. NO. A-7135-DIM
ASSEMBLY		SHEET No. 3 of 3		REV. 1