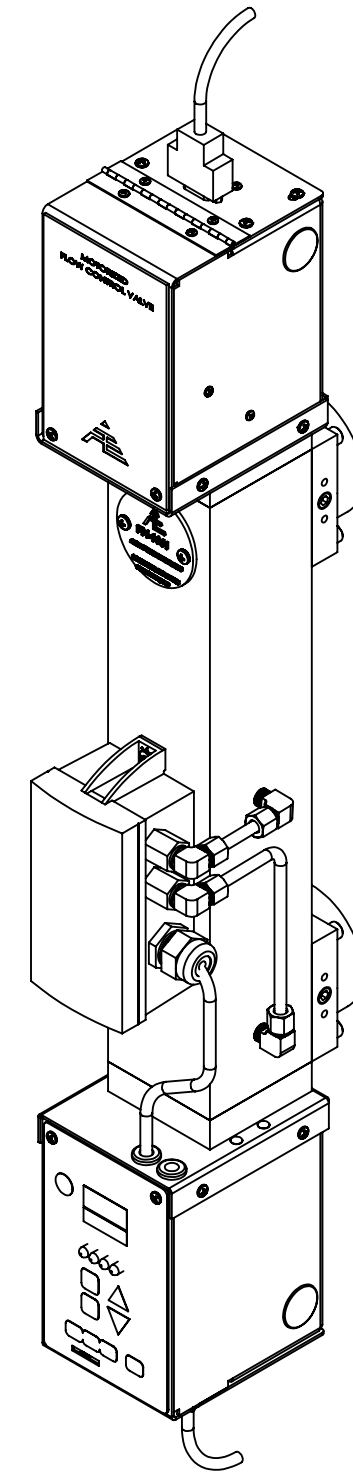

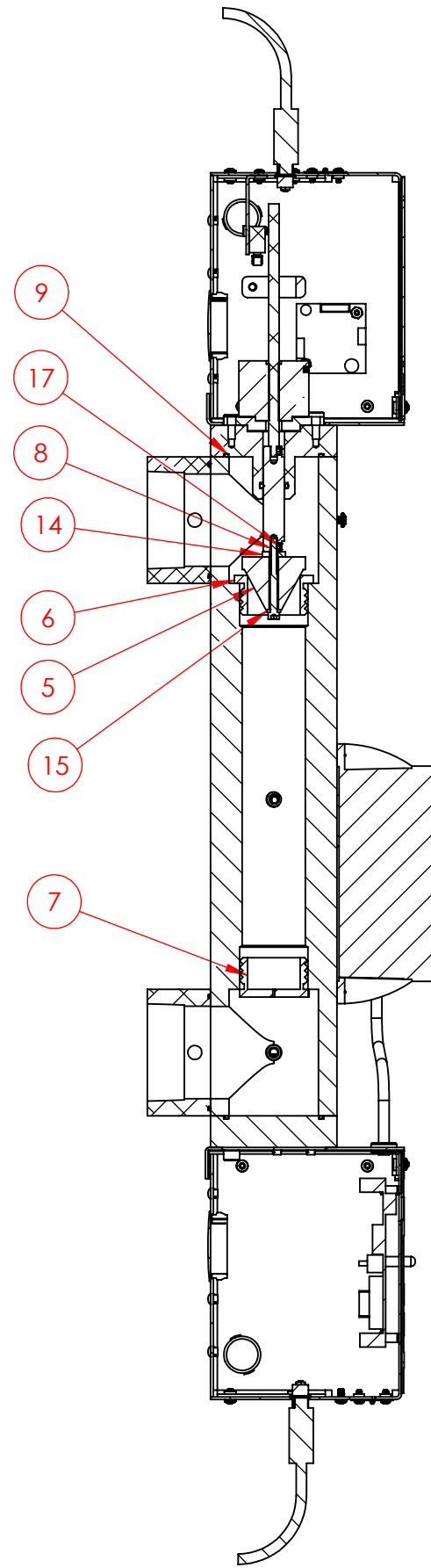


ITEM NO.	QTY.	PART NUMBER	DESCRIPTION
1	1	A-3068	FM-EB Electronic Flow Display Assembly
2	1	A-6689	FM-EV- Electronic Valve Assembly
3	1	A-6782	FM-EB-200N-DP05 Meter Body Assy
4	1	D-2348	Blank Furnace Meter Flange
5	1	D-3361	E-Valve Needle (1.25" Valve Seat)
6	1	D-3862	2in FurnaceMeter Nylon Valve Seat
7	1	D-3864	2in FurnaceMeter Blank Orifice
8	1	H-1010	#8-32 X 1.75"L Cap Screw
9	2	H-1030	#139 O-Ring
10	2	H-1032	1/4-20 x .75"L Cap Screw
11	2	H-1059	#8-32 X .31L Phillips Head Screw
12	4	H-1068	1/4-20 x 1.25" Cap Screw
13	2	H-1080	Rubber Grommet
14	1	H-1096	Rubber Washer, #10 Screw .56"OD
15	1	H-1097	Rubber Washer, #8 Screw .31"OD
16	2	H-1115	DB-9 Cable(8Ft)
17	1	H-2478	#8-32 Set Screw
18	1	L-403	Serial Plate Label
19	1	W-6363	18awg 2 Conductor Wire

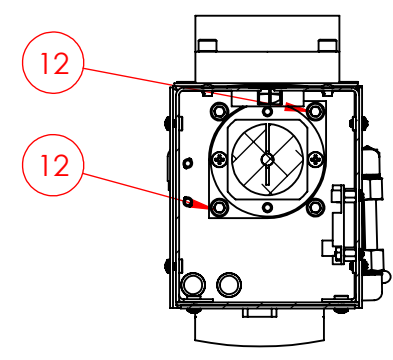
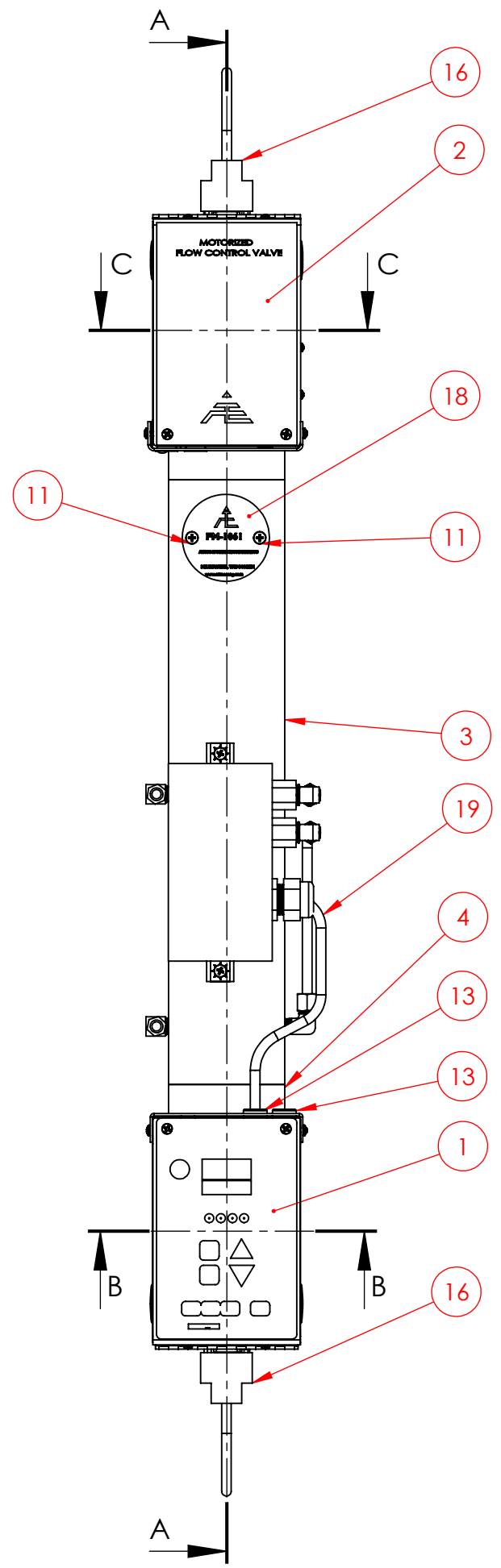


PROPRIETARY AND CONFIDENTIAL
 THE INFORMATION CONTAINED IN THIS DRAWING IS THE SOLE PROPERTY OF ATMOSPHERE ENGINEERING. ANY REPRODUCTION IN PART OR AS A WHOLE WITHOUT THE WRITTEN PERMISSION OF ATMOSPHERE ENGINEERING IS PROHIBITED.

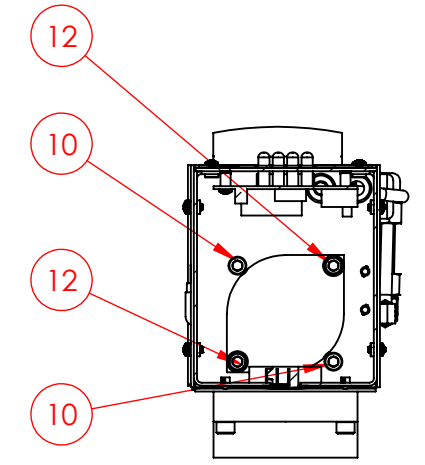
--	--	--/--/--	--	--
A	UPDATED WITH NEW ENCLOSURE DESIGN	4/21/15	JC	1
REV. ID	REVISION	DATE	INITIAL	REV #
DIMENSIONS ARE IN INCHES		NAME	DATE	 ATMOSPHERE ENGINEERING Co. MILWAUKEE, WI U.S.A ENGINEERING@ATMOSENG.COM
TOLERANCES:		DRAWN	3/27/14	
.XX ±.01		CHECKED	--	
.XXX ±.005				
.XXX ±.0005		TITLE		FM-EB-EVM-200N-DP05
MATERIAL		FINISH		SIZE
ASSEMBLY		ASSEMBLY		DWG. NO.
		SCALE:1:4		A-6928
		SHEET No.		REV.
		1 of 3		2



SECTION A-A



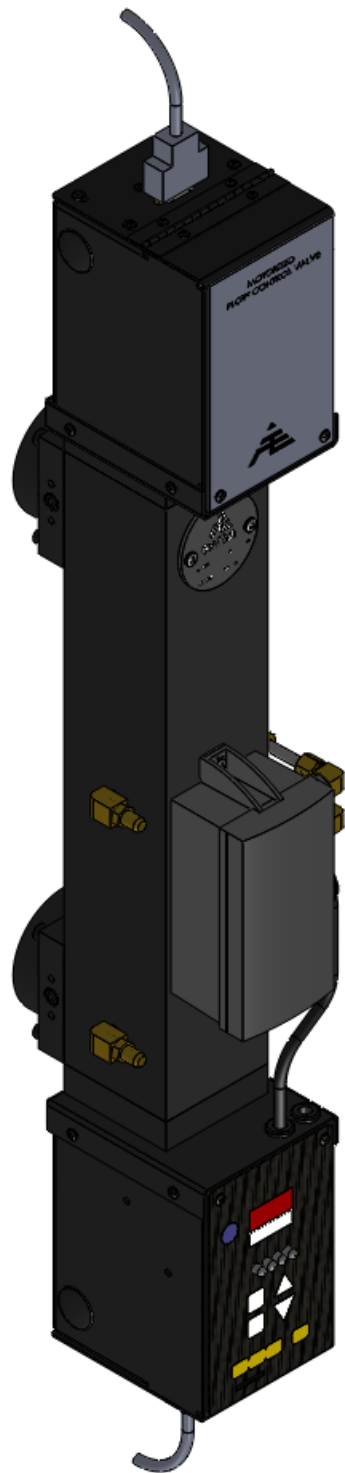
SECTION C-C



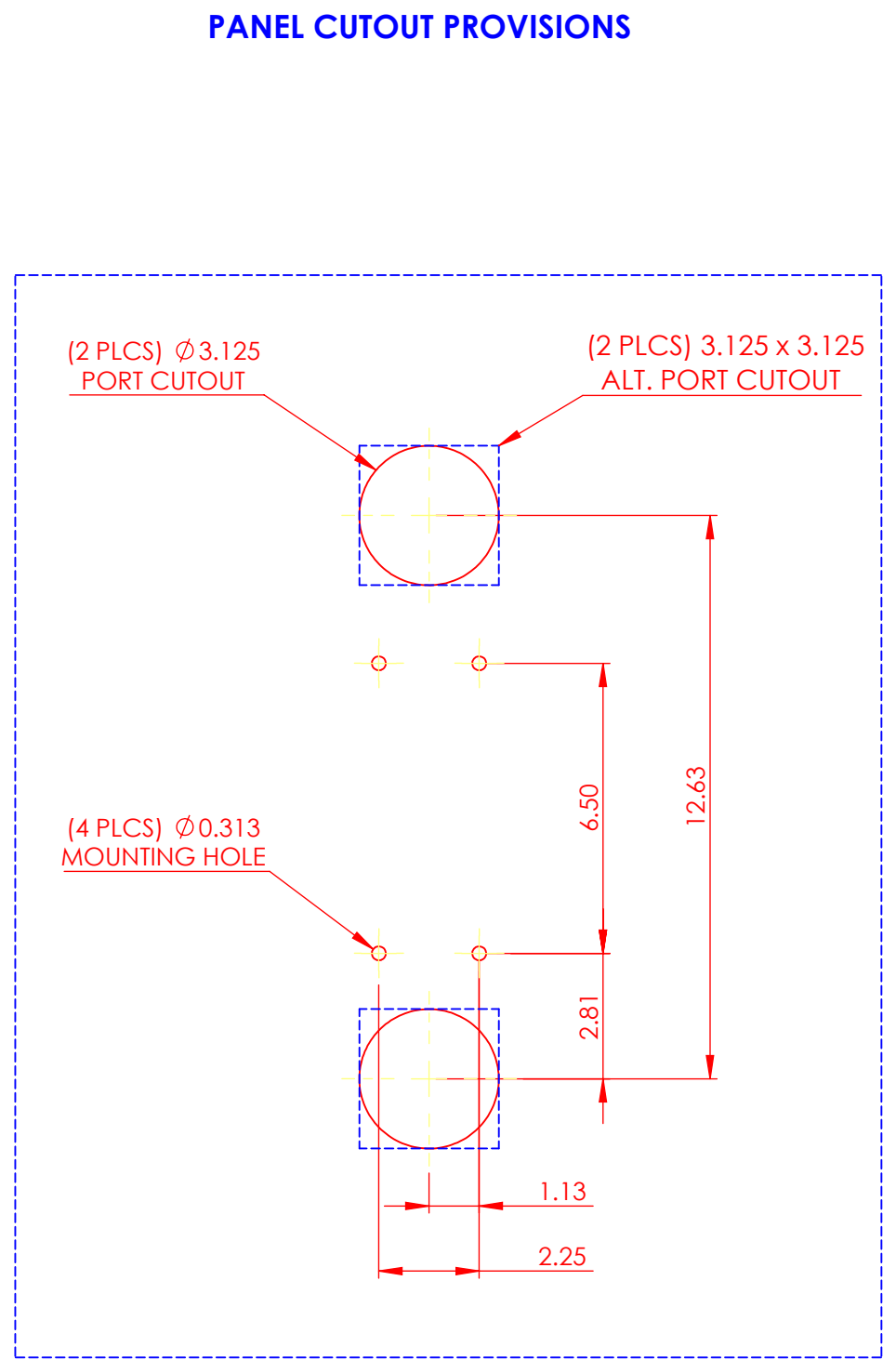
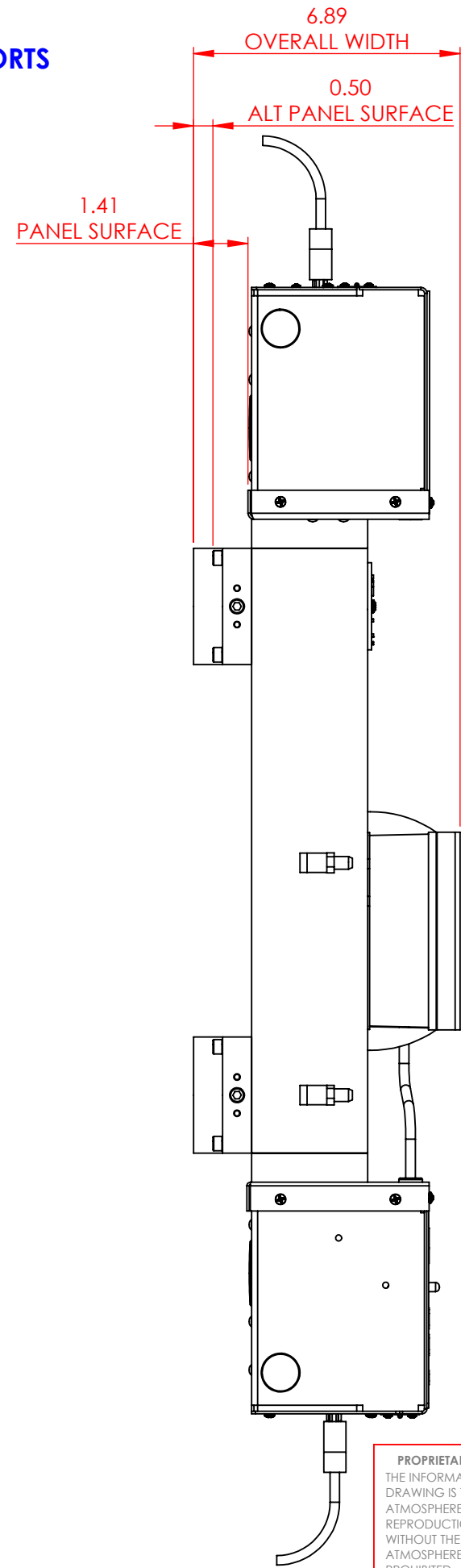
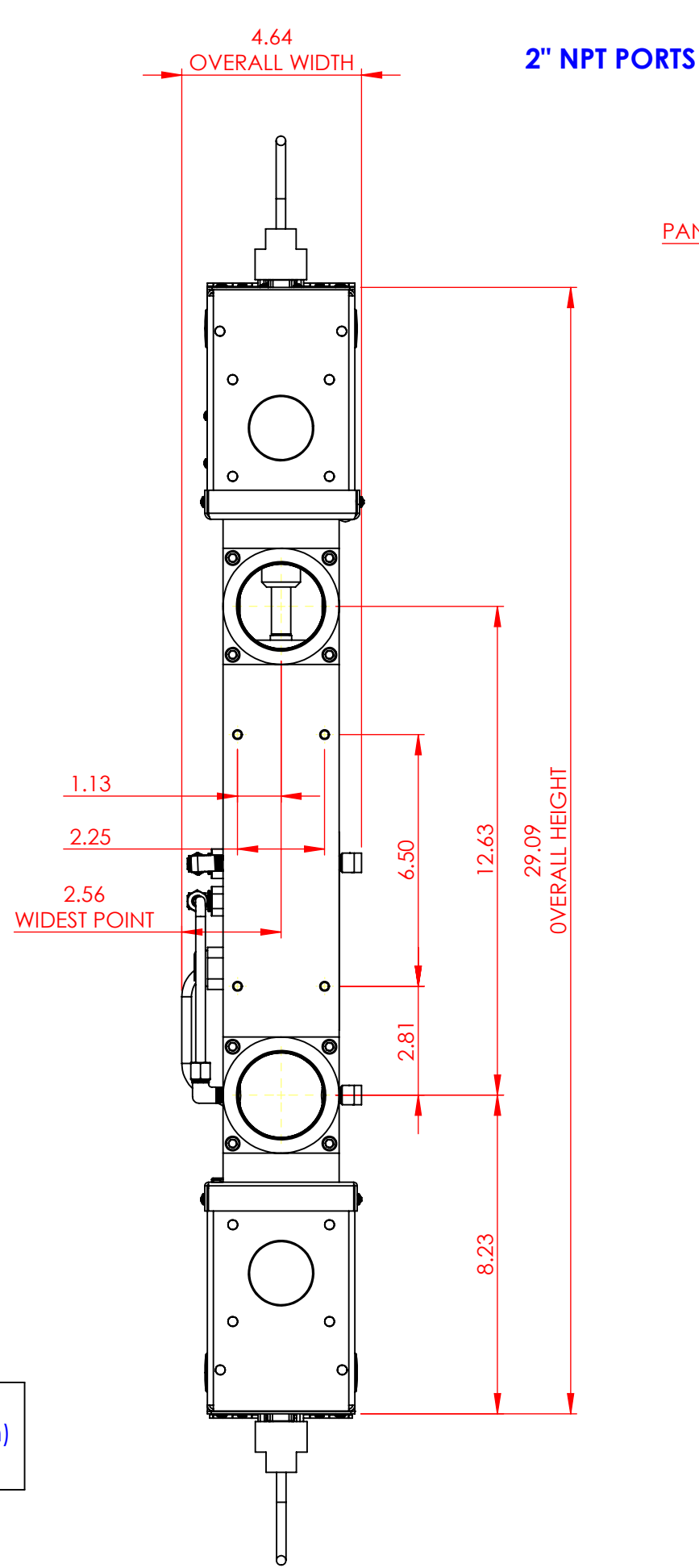
SECTION B-B

PROPRIETARY AND CONFIDENTIAL
 THE INFORMATION CONTAINED IN THIS DRAWING IS THE SOLE PROPERTY OF ATMOSPHERE ENGINEERING. ANY REPRODUCTION IN PART OR AS A WHOLE WITHOUT THE WRITTEN PERMISSION OF ATMOSPHERE ENGINEERING IS PROHIBITED.

REV. ID	REVISION	DATE	INITIAL	REV #
--	--	--/--/--	--	--
A	UPDATED WITH NEW ENCLOSURE DESIGN	4/21/15	JC	1
DIMENSIONS ARE IN INCHES		TOLERANCES:		
.XX ±.01		DRAWN NP 3/27/14		
.XXX ±.005		CHECKED -- --		
.XXXX ±.0005		TITLE		
MATERIAL		ATMOSPHERE ENGINEERING Co.		
ASSEMBLY		MILWAUKEE, WI U.S.A		
FINISH		ENGINEERING@ATMOSENG.COM		
ASSEMBLY		SCALE:1:4 B A-6928		
SHEET No.		REV.		
2 of 3		2		




Note: Recommend additional 6" clearance (top and bottom) for DB9 cables.



PROPRIETARY AND CONFIDENTIAL
THE INFORMATION CONTAINED IN THIS DRAWING IS THE SOLE PROPERTY OF ATMOSPHERE ENGINEERING. ANY REPRODUCTION IN PART OR AS A WHOLE WITHOUT THE WRITTEN PERMISSION OF ATMOSPHERE ENGINEERING IS PROHIBITED.

REV. ID	REVISION	DATE	INITIAL	REV #
B	UPDATED DIMENSIONAL DRAWING	7/25/15	CPM	2
A	UPDATED WITH NEW ENCLOSURE DESIGN	4/21/15	JC	1

DIMENSIONS ARE IN INCHES		NAME		DATE		 ATMOSPHERE ENGINEERING Co. MILWAUKEE, WI U.S.A. ENGINEERING@ATMOSENG.COM	
TOLERANCES:		DRAWN		3/27/14			
.XX ±.01		NP					
.XXX ±.005		CHECKED					
.XXXX ±.0005							
MATERIAL		TITLE					
ASSEMBLY		FM-EB-EVM-200N-DP05 DIMENSIONAL DRAWING					
FINISH		SCALE:1:4		SIZE		DWG. NO.	
ASSEMBLY		B		A-6928-DIM		SHEET No.	
						3 of 3	
						REV.	
						2	