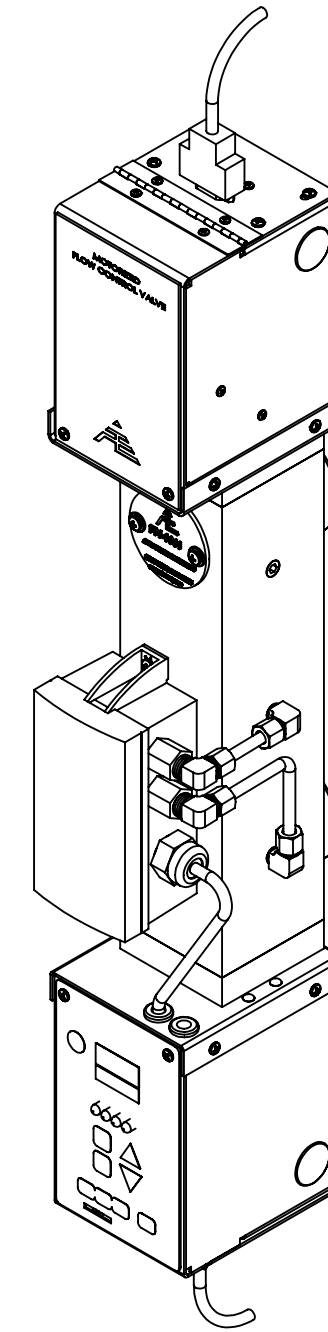

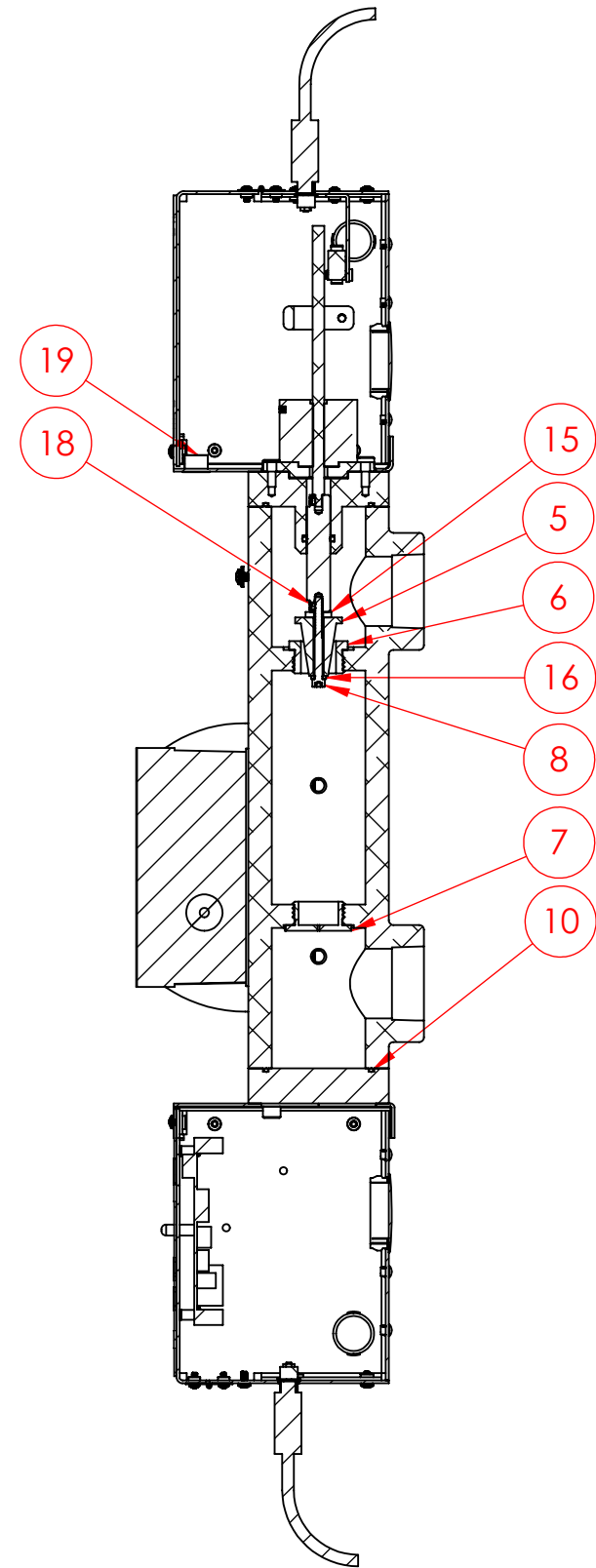
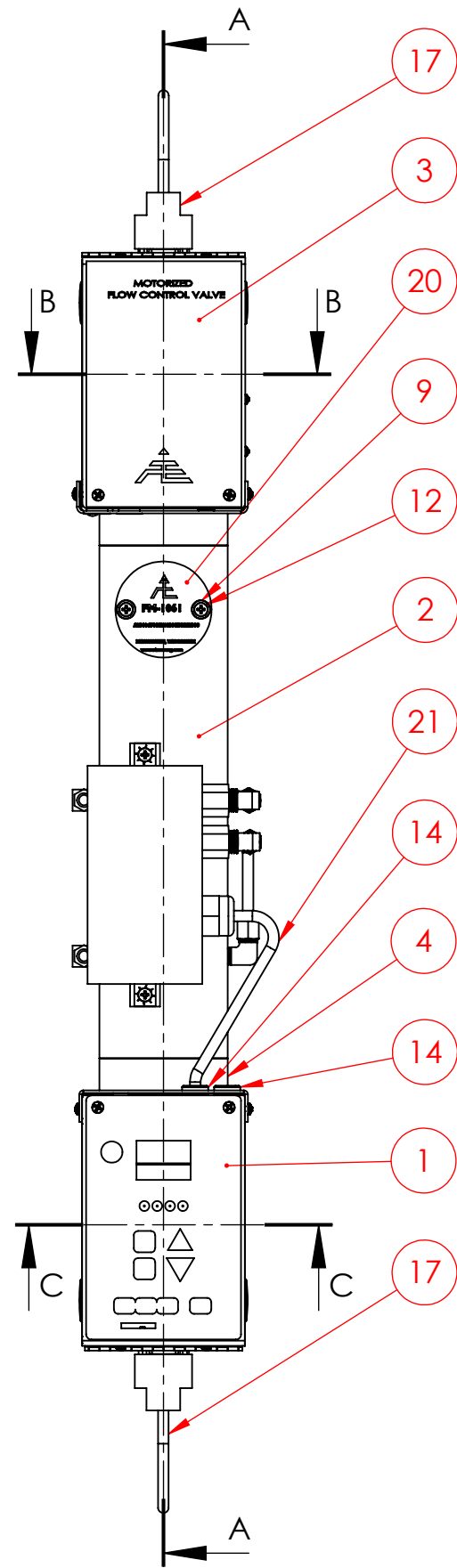


ITEM NO.	QTY.	PART NUMBER	DESCRIPTION
1	1	A-3068	FM-EB Electronic Flow Display Assembly
2	1	A-6685	1.25" NPT DP05 FurnaceMeter Body Assembly
3	1	A-6689	FM-EV- Electronic Valve Assembly
4	1	D-2348	Blank Furnace Meter Flange
5	1	D-3748	E-Valve Needle EVM (.75" Valve Seat)
6	1	D-3962	.75" Nylon Valve Seat
7	1	D-4029	Blank FurnaceMeter Orifice
8	1	H-1010	#8-32 X 1.75"L Cap Screw
9	2	H-1012	#8 Washer, .19" ID, .44" OD
10	2	H-1030	#139 O-Ring
11	2	H-1032	1/4-20 x .75"L Cap Screw
12	2	H-1059	#8-32 X .31L Phillips Head Screw
13	4	H-1068	1/4-20 x 1.25" Cap Screw
14	2	H-1080	Rubber Grommet
15	1	H-1096	Rubber Washer, #10 Screw .56"OD
16	1	H-1097	Rubber Washer, #8 Screw .31"OD
17	2	H-1115	DB-9 Cable(8Ft)
18	1	H-2478	#8-32 Set Screw
19	2	H-2960	.5" Black Plastic Hole Plug
20	1	L-403	Serial Plate Label
21	1	W-6363	18awg 2 Conductor Wire

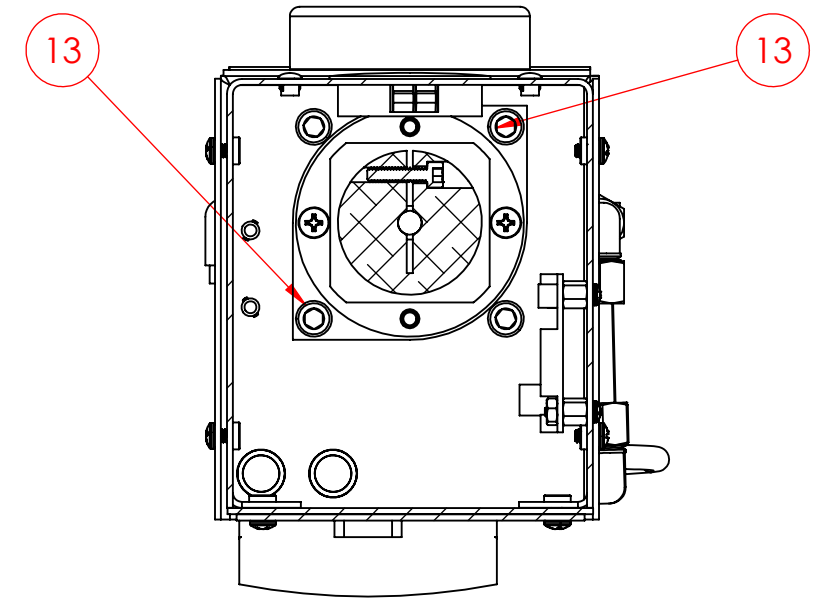
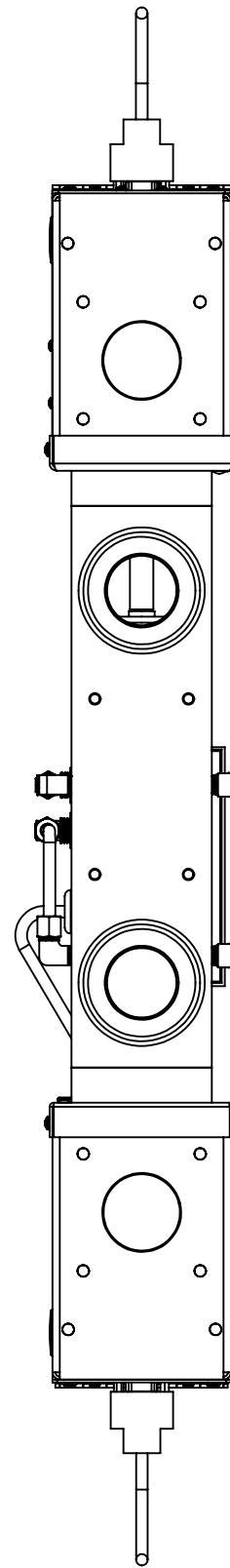


**PROPRIETARY AND CONFIDENTIAL**  
 THE INFORMATION CONTAINED IN THIS DRAWING IS THE SOLE PROPERTY OF ATMOSPHERE ENGINEERING. ANY REPRODUCTION IN PART OR AS A WHOLE WITHOUT THE WRITTEN PERMISSION OF ATMOSPHERE ENGINEERING IS PROHIBITED.

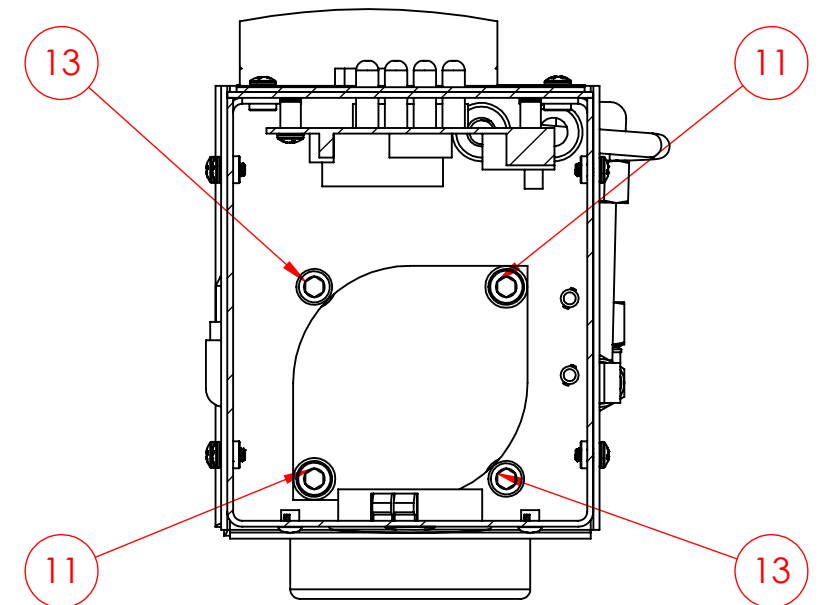
--	--	--/--/--	--	--
--	--	--/--/--	--	--
--	--	--/--/--	--	--
REV. ID	REVISION	DATE	INITIAL	REV #
DIMENSIONS ARE IN INCHES		NAME	DATE	 <b>ATMOSPHERE ENGINEERING Co.</b> MILWAUKEE, WI U.S.A ENGINEERING@ATMOSENG.COM
TOLERANCES:		DRAWN	6/10/14	
.XX ±.01		CHECKED	--	
.XXX ±.005		TITLE		<b>FM-EB-EVM-125N-DP05</b>
.XXX ±.005		MATERIAL		
ASSEMBLY		SCALE:1:4	SIZE <b>B</b>	DWG. NO. <b>A-7144</b>
FINISH		SHEET No. <b>1 of 3</b>		REV. <b>1</b>



SECTION A-A




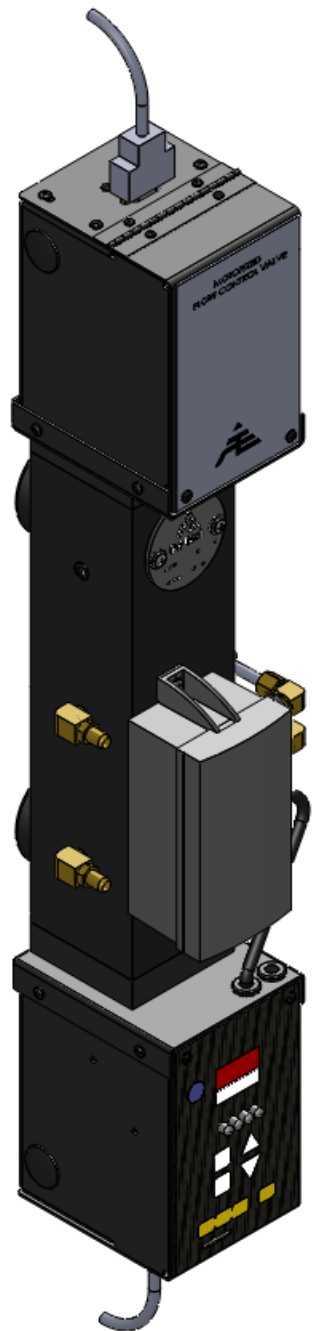
SECTION B-B  
SCALE 1 : 2



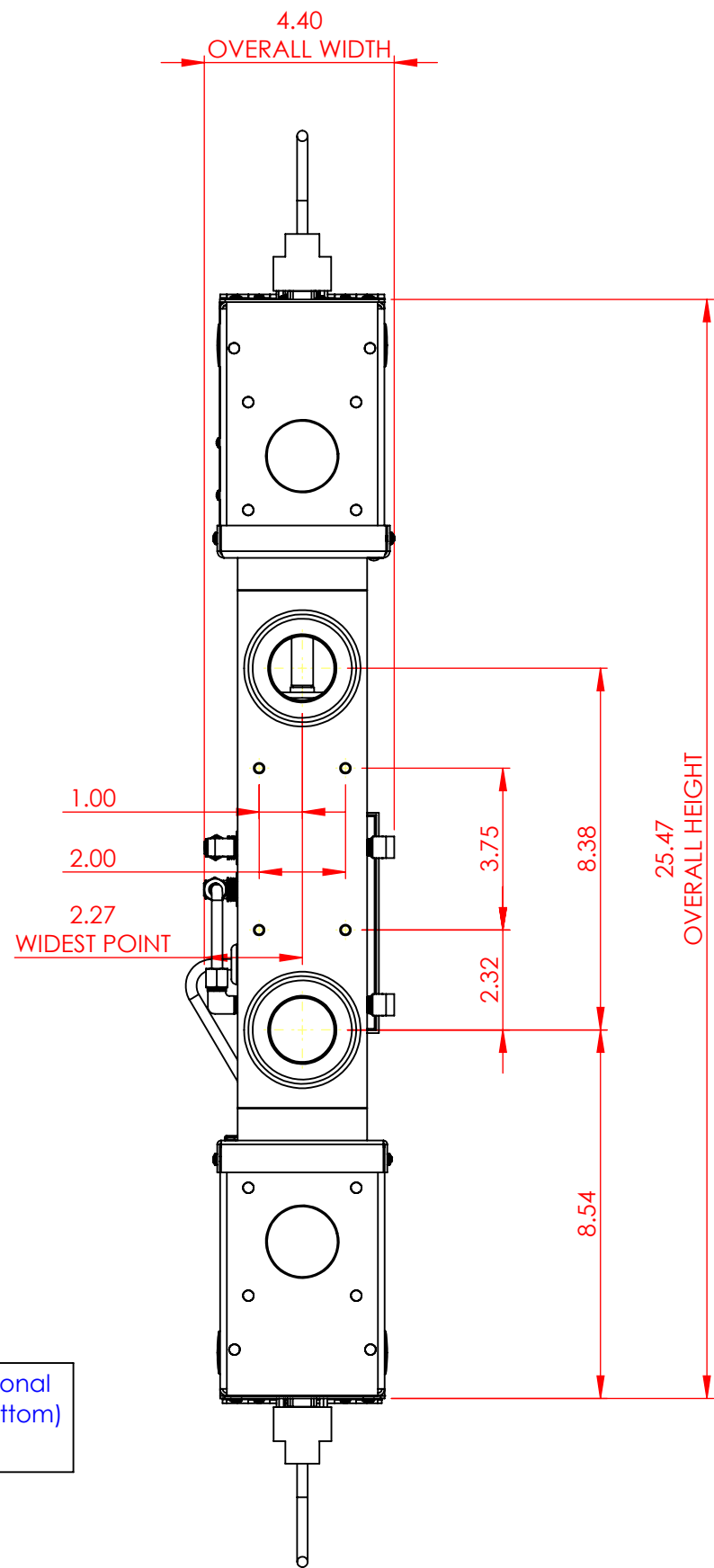
SECTION C-C  
SCALE 1 : 2

**PROPRIETARY AND CONFIDENTIAL**  
THE INFORMATION CONTAINED IN THIS DRAWING IS THE SOLE PROPERTY OF ATMOSPHERE ENGINEERING. ANY REPRODUCTION IN PART OR AS A WHOLE WITHOUT THE WRITTEN PERMISSION OF ATMOSPHERE ENGINEERING IS PROHIBITED.

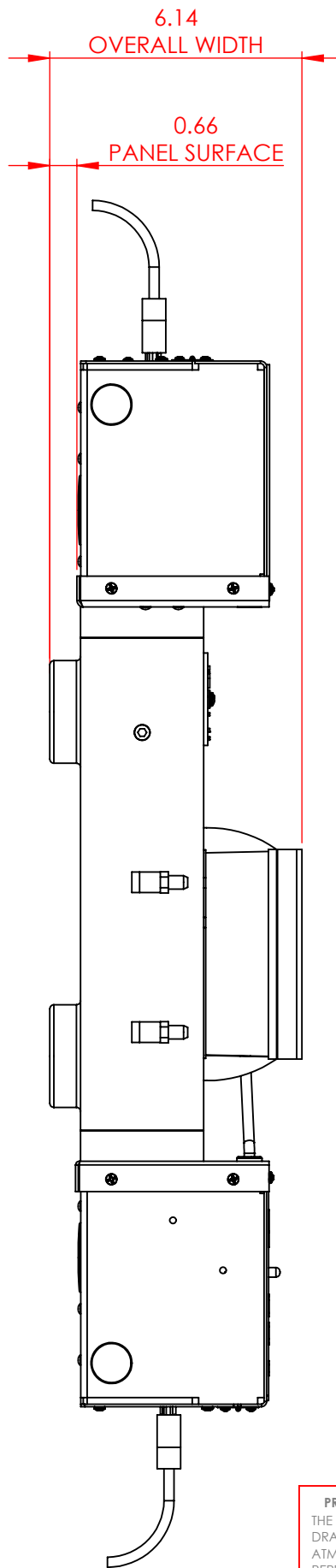
---	---	---	---	---	---	
---	---	---	---	---	---	
---	---	---	---	---	---	
REV. ID	REVISION			DATE	INITIAL REV #	
DIMENSIONS ARE IN INCHES		NAME	DATE	 <b>ATMOSPHERE ENGINEERING Co.</b> MILWAUKEE, WI U.S.A ENGINEERING@ATMOSENG.COM		
TOLERANCES:		DRAWN	6/10/14			
.XX ±.01		CHECKED	--	TITLE		
.XXX ±.005		MATERIAL			FM-EB-EVM-125N-DP05	
.XXX ±.005		FINISH			SCALE:1:4	
ASSEMBLY		SIZE	DWG. NO.	SHEET No.	REV.	
ASSEMBLY		B	A-7144	2 of 3	1	



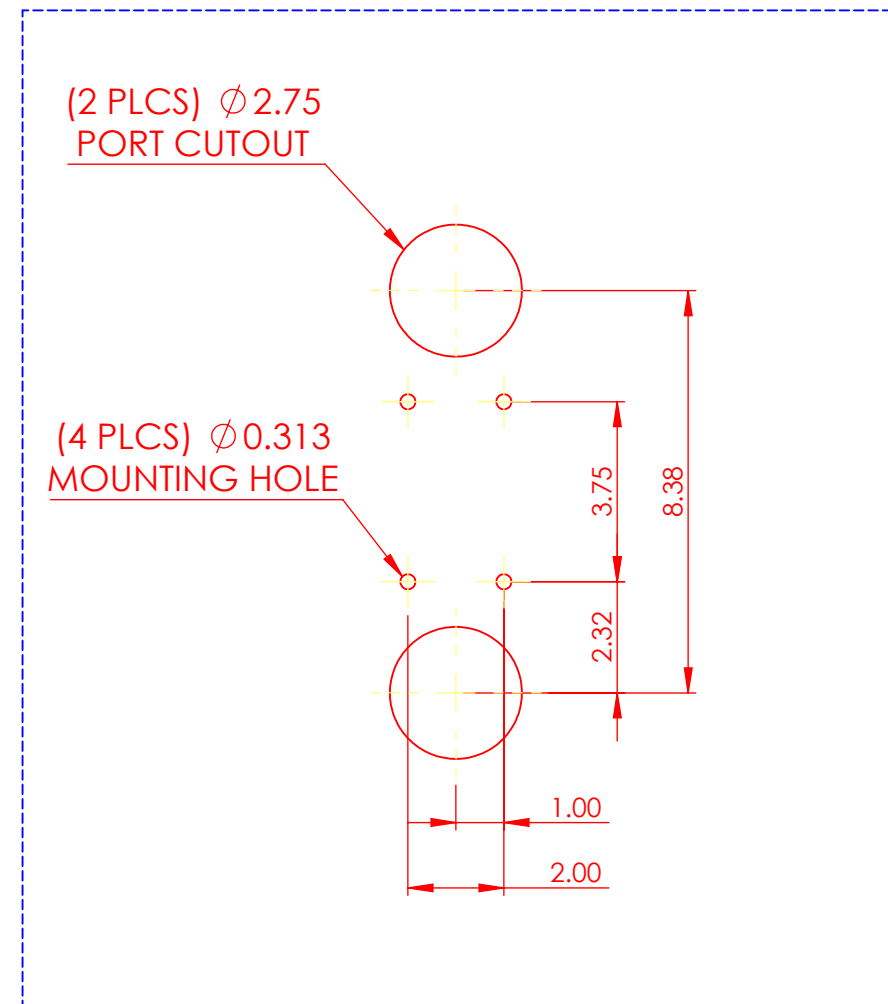
**1.25" NPT PORTS**



Note: Recommend additional 6" clearance (top and bottom) for DB9 cables.



**PANEL CUTOUT PROVISIONS**



**PROPRIETARY AND CONFIDENTIAL**  
 THE INFORMATION CONTAINED IN THIS DRAWING IS THE SOLE PROPERTY OF ATMOSPHERE ENGINEERING. ANY REPRODUCTION IN PART OR AS A WHOLE WITHOUT THE WRITTEN PERMISSION OF ATMOSPHERE ENGINEERING IS PROHIBITED.

REV. ID	NAME	DATE	DATE	INITIAL	REV #
--	--	--	--	--	--
A	UPDATED DIMENSIONAL DRAWING	7/28/15	CPM	1	
DIMENSIONS ARE IN INCHES			TOLERANCES:		
.XX ±.01			.XXX ±.005		
.XXXX ±.0005					
MATERIAL		TITLE			
ASSEMBLY		FM-EB-EVM-125N-DP05 DIMENSIONAL DRAWING			
FINISH		SCALE:1:4	SIZE	DWG. NO.	SHEET No.
ASSEMBLY		B	A-7144-DIM	3 of 3	REV. 1

