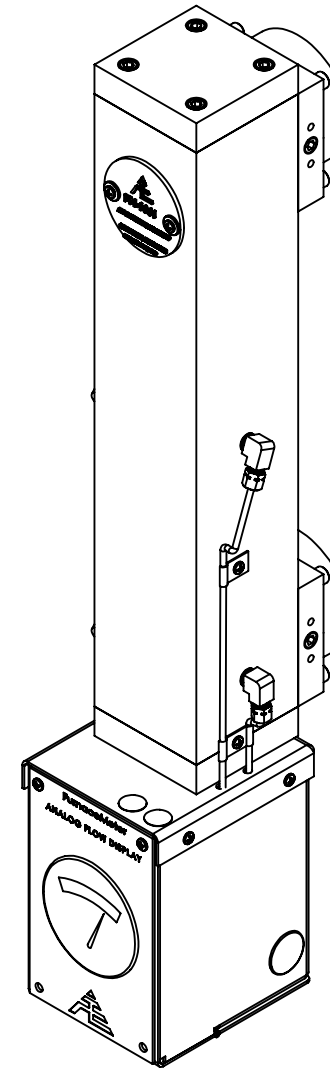


ITEM NO.	QTY.	PART NUMBER	DESCRIPTION
1	1	A-6706	FM-AB-G05 Analog Display Assembly
2	1	A-6942	FM-AB-200N Analog Body Assy
3	2	D-2348	Blank Furnace Meter Flange
4	1	D-3864	2in FurnaceMeter Blank Orifice
5	2	H-1012	#8 Washer, .19" ID, .44" OD
6	2	H-1030	#139 O-Ring
7	6	H-1032	1/4-20 x .75"L Cap Screw
8	4	H-1048	#6-32 x .3125"L Pan Head Screw
9	2	H-1068	1/4-20 x 1.25" Cap Screw
10	1	H-1117	.125in Tube Clamp, 1 Tube
11	1	H-1118	.125in Tube Clamp, 2 Tube
12	1	L-403	Serial Plate Label
13	1	L-4292	Gauge Plate (D)
14	1	P-1839	.125in OD Nylon Tubing

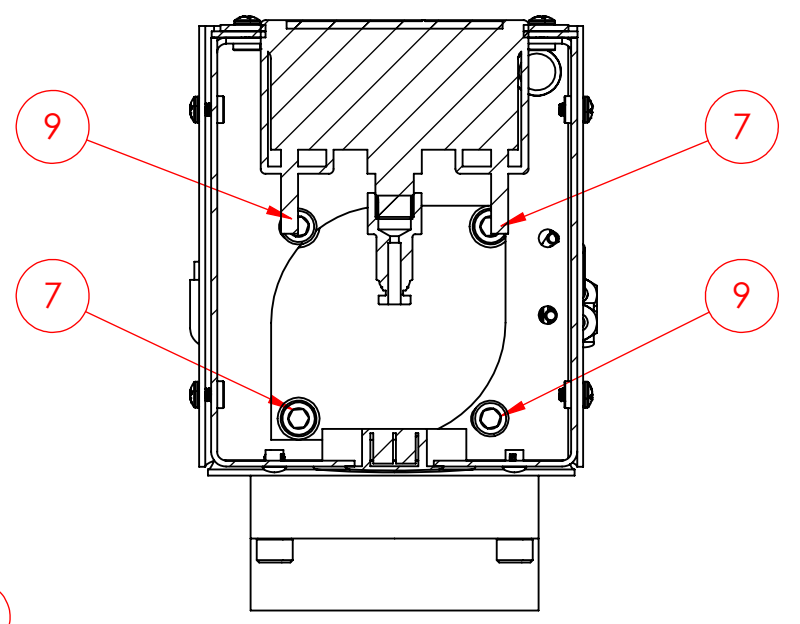
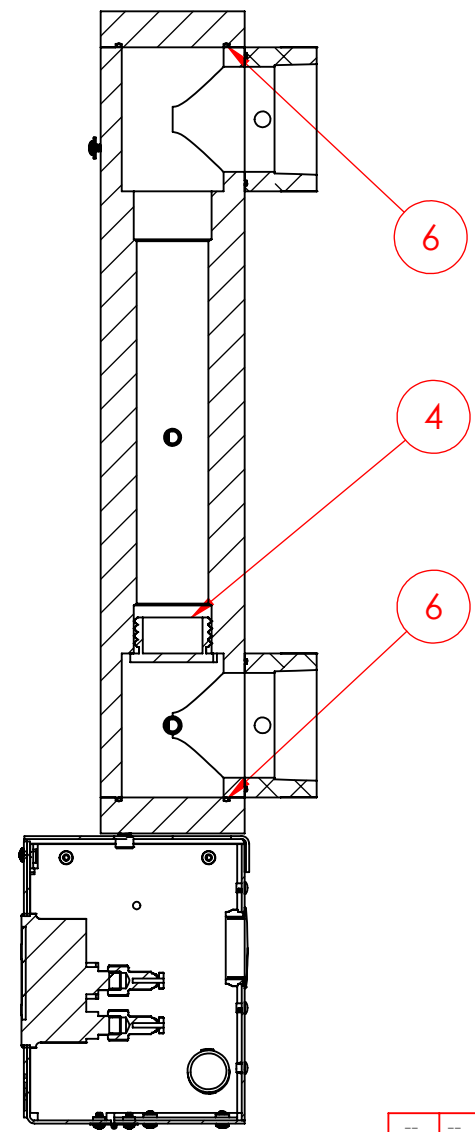
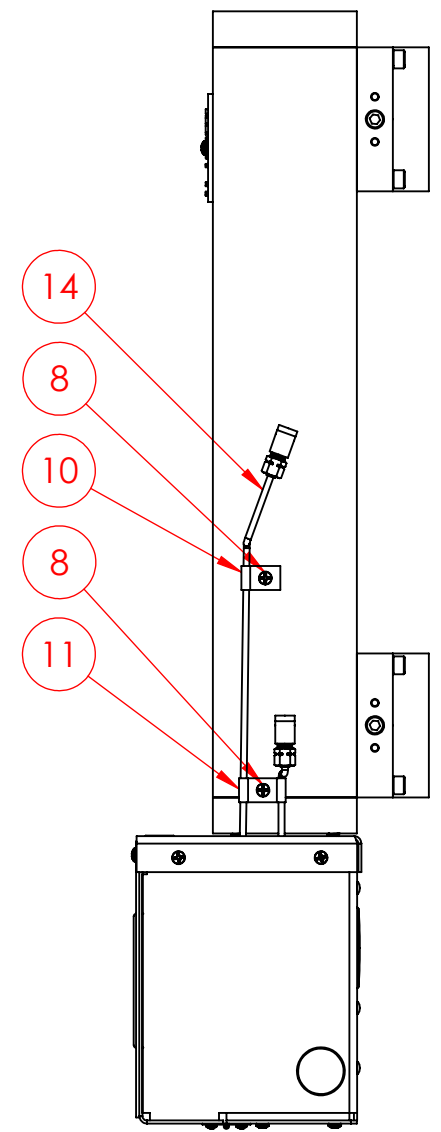
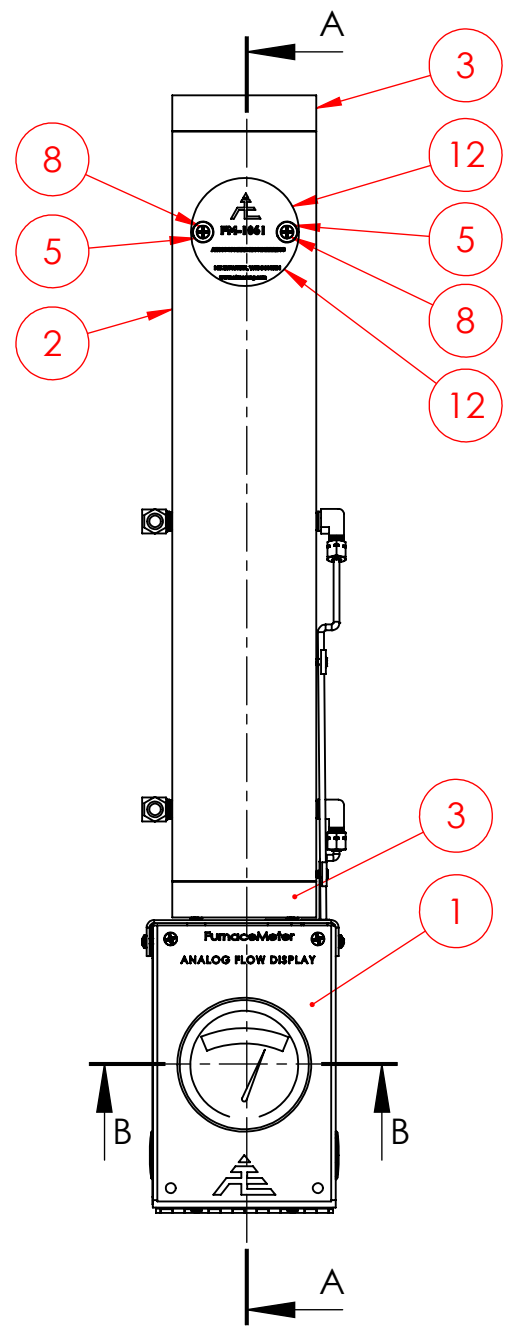
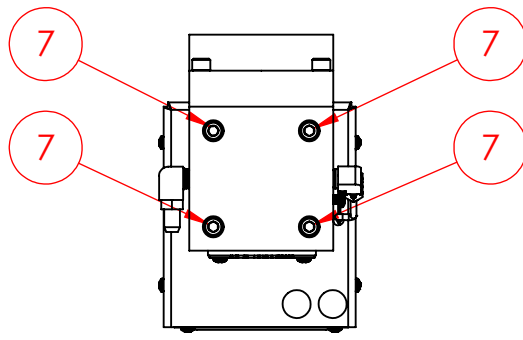


--	--	--/--/--	--	--
A	UPDATED WITH NEW ENCLOSURE SUB ASSEMBLY	4/20/15	NP	1
REV. ID	REVISION	DATE	INITIAL	REV #
DIMENSIONS ARE IN INCHES				
TOLERANCES:				
.XX ±.01				
.XXX ±.005				
.XXXX ±.0005				
MATERIAL		TITLE		
ASSEMBLY		FM-AB-NV-200N-G05		
FINISH		SCALE:1:4	SIZE B	DWG. NO. A-7134
ASSEMBLY		SHEET No. 1 of 3		REV. 2

**PROPRIETARY AND CONFIDENTIAL**  
 THE INFORMATION CONTAINED IN THIS DRAWING IS THE SOLE PROPERTY OF ATMOSPHERE ENGINEERING. ANY REPRODUCTION IN PART OR AS A WHOLE WITHOUT THE WRITTEN PERMISSION OF ATMOSPHERE ENGINEERING IS PROHIBITED.



**ATMOSPHERE ENGINEERING Co.**  
 MILWAUKEE, WI U.S.A  
 ENGINEERING@ATMOSENG.COM



SECTION B-B  
SCALE 1 : 2

SECTION A-A

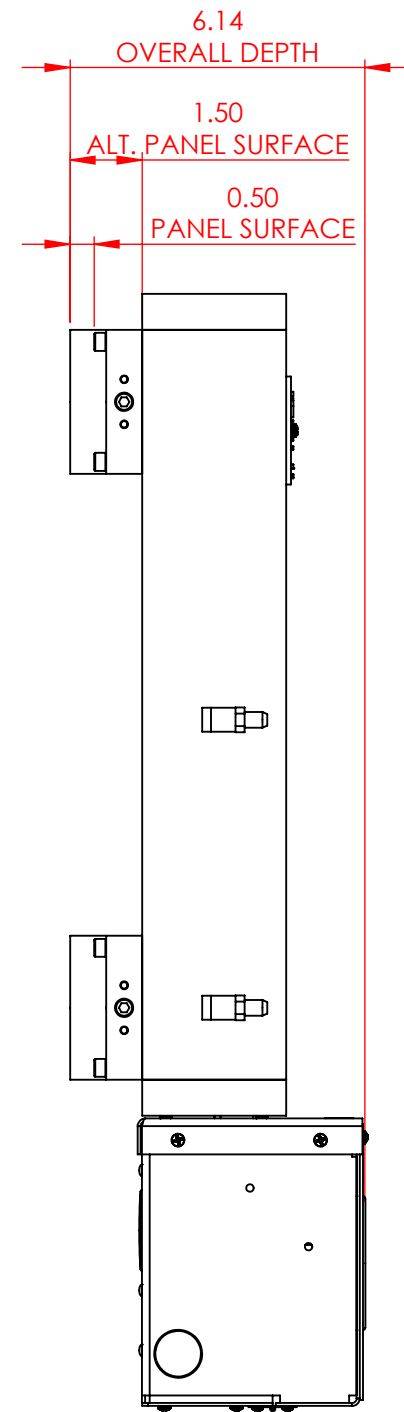
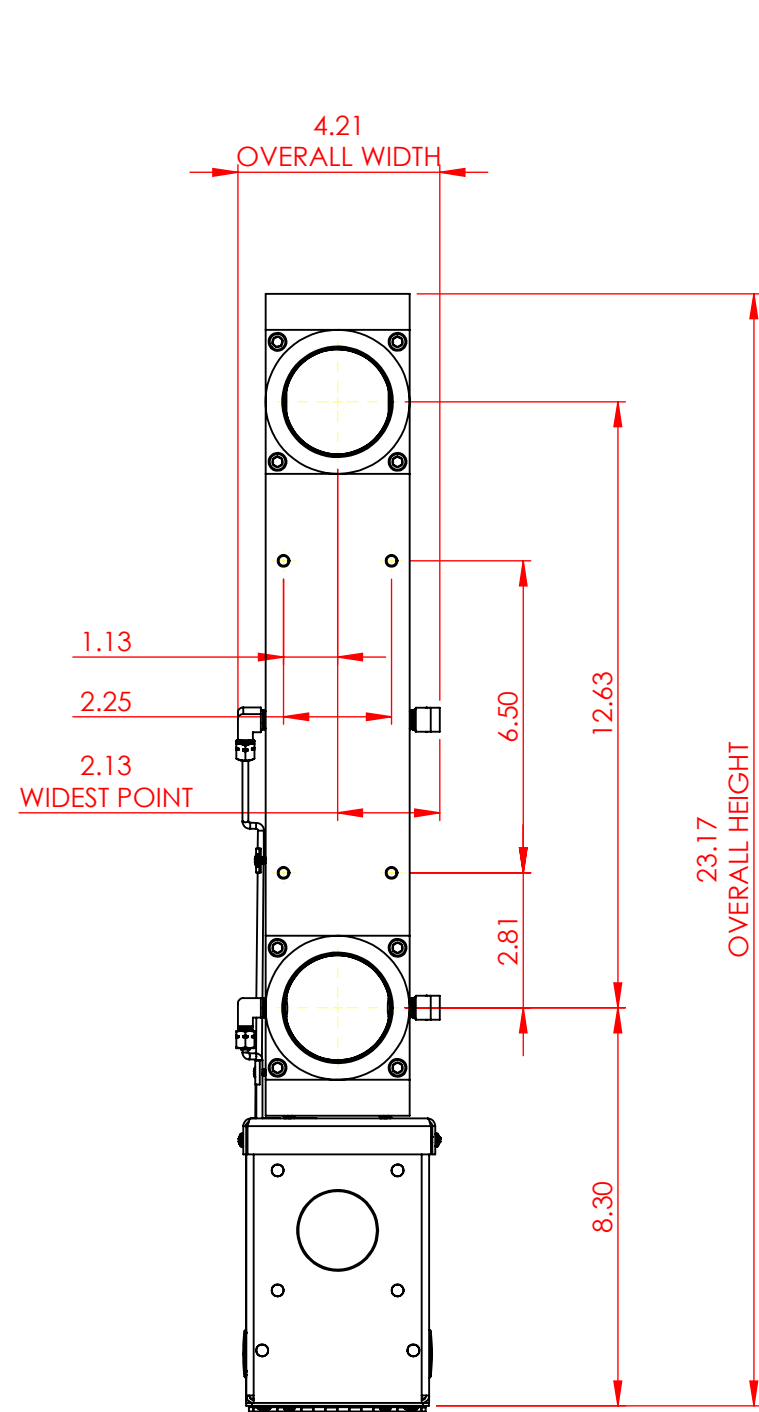
**PROPRIETARY AND CONFIDENTIAL**  
THE INFORMATION CONTAINED IN THIS DRAWING IS THE SOLE PROPERTY OF ATMOSPHERE ENGINEERING. ANY REPRODUCTION IN PART OR AS A WHOLE WITHOUT THE WRITTEN PERMISSION OF ATMOSPHERE ENGINEERING IS PROHIBITED.

REV. ID	REVISION	DATE	INITIAL	REV #
A	UPDATED WITH NEW ENCLOSURE SUB ASSEMBLY	4/20/15	NP	1
DIMENSIONS ARE IN INCHES				
TOLERANCES:				
.XX ±.01				
.XXX ±.005				
.XXXX ±.0005				
MATERIAL	ASSEMBLY	TITLE		
FINISH	ASSEMBLY	FM-AB-NV-200N-G05		
SCALE:1:4	SIZE B	DWG. NO. A-7134	SHEET No. 2 of 3	REV. 2

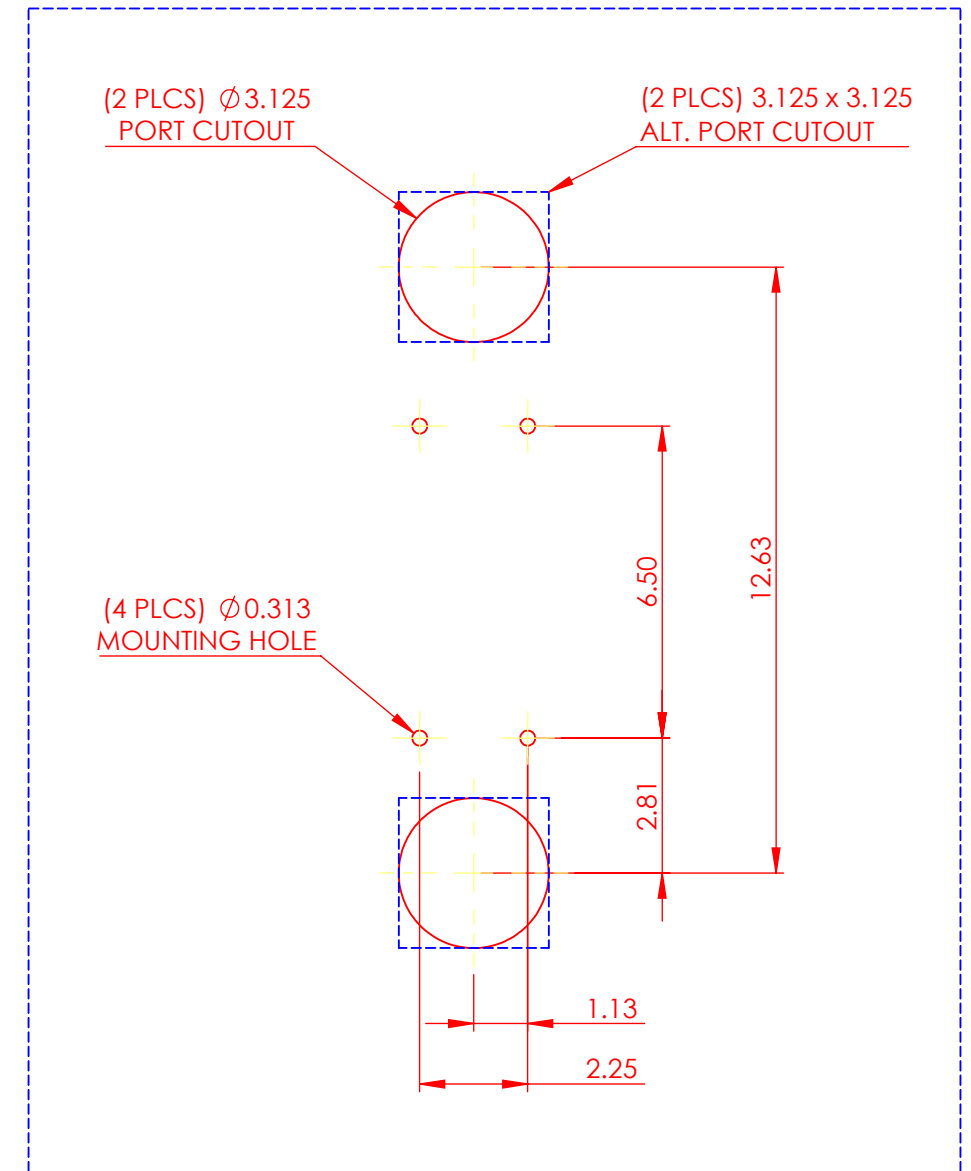





### 2" NPT PORTS



### PANEL CUTOUT PROVISIONS



**PROPRIETARY AND CONFIDENTIAL**  
 THE INFORMATION CONTAINED IN THIS DRAWING IS THE SOLE PROPERTY OF ATMOSPHERE ENGINEERING. ANY REPRODUCTION IN PART OR AS A WHOLE WITHOUT THE WRITTEN PERMISSION OF ATMOSPHERE ENGINEERING IS PROHIBITED.

REV. ID	REVISION	DATE	INITIAL	REV #
--	--	--/--/--	--	--
B	UPDATED DIMENSIONAL DRAWING	7/27/15	CPM	2
DIMENSIONS ARE IN INCHES		TOLERANCES:		
.XX ±.01		DRAWN ML 6/6/14		
.XXX ±.005		CHECKED -- --		
.XXXX ±.0005		 <b>ATMOSPHERE ENGINEERING Co.</b> MILWAUKEE, WI U.S.A. ENGINEERING@ATMOSENG.COM		
MATERIAL		TITLE		
ASSEMBLY		FM-AB-NV-200N-G05 DIMENSIONAL DRAWING		
FINISH		SCALE:1:4	SIZE B	DWG. NO. A-7134-DIM
		SHEET No. 3 of 3		REV. 2