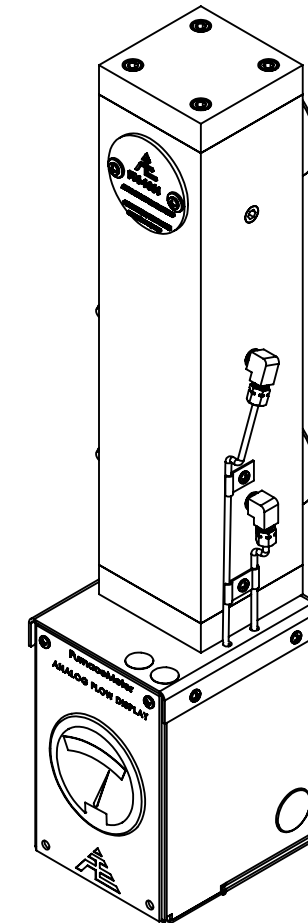


ITEM NO.	QTY.	PART NUMBER	DESCRIPTION
1	1	A-6704	FM-AB-125N Analog FM Body Assembly
2	1	A-6706	FM-AB-G05 Analog Display Assembly
3	2	D-2348	Blank Furnace Meter Flange
4	1	D-4029	Blank FurnaceMeter Orifice
5	2	H-1012	#8 Washer, .19" ID, .44" OD
6	2	H-1030	#139 O-Ring
7	6	H-1032	1/4-20 x .75"L Cap Screw
8	4	H-1048	#6-32 x .3125"L Pan Head Screw
9	2	H-1068	1/4-20 x 1.25" Cap Screw
10	1	H-1117	.125in Tube Clamp, 1 Tube
11	1	H-1118	.125in Tube Clamp, 2 Tube
12	1	L-403	Serial Plate Label
13	1	L-4292	Gauge Plate (D)
14	1	P-1839	.125in OD Nylon Tubing
15	1	P-1839	.125in OD Nylon Tubing

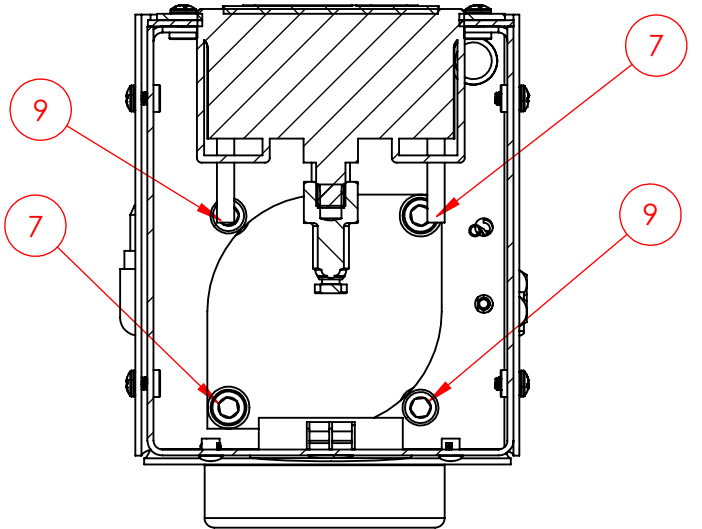
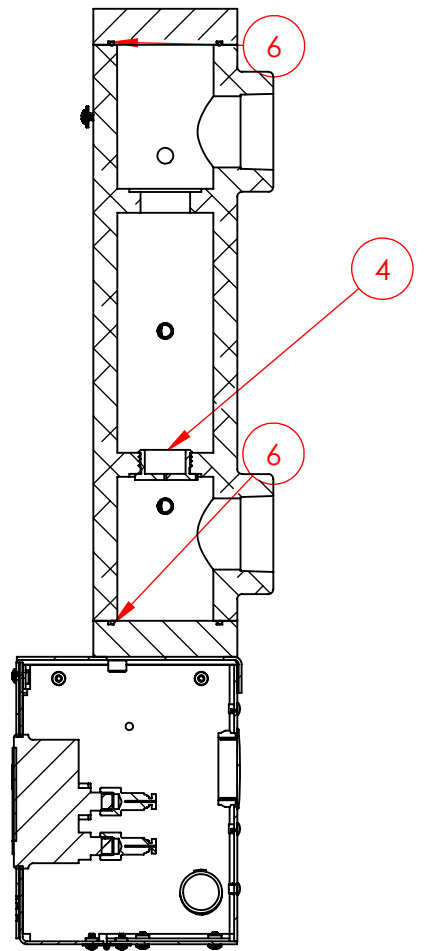
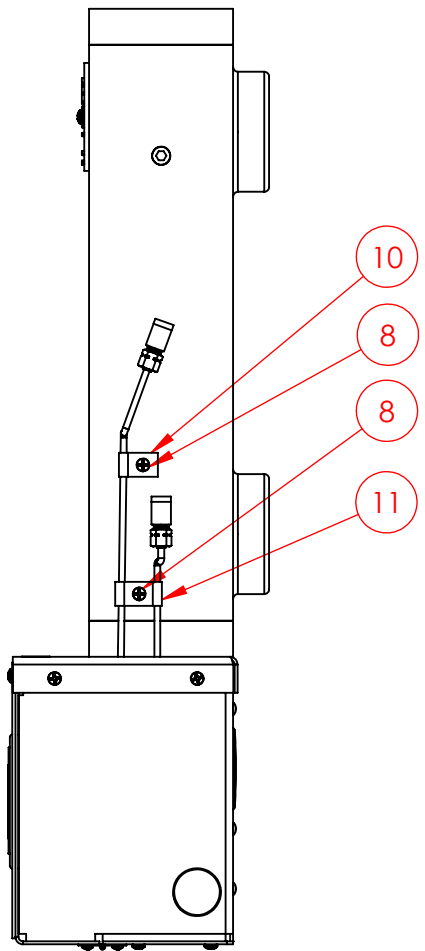
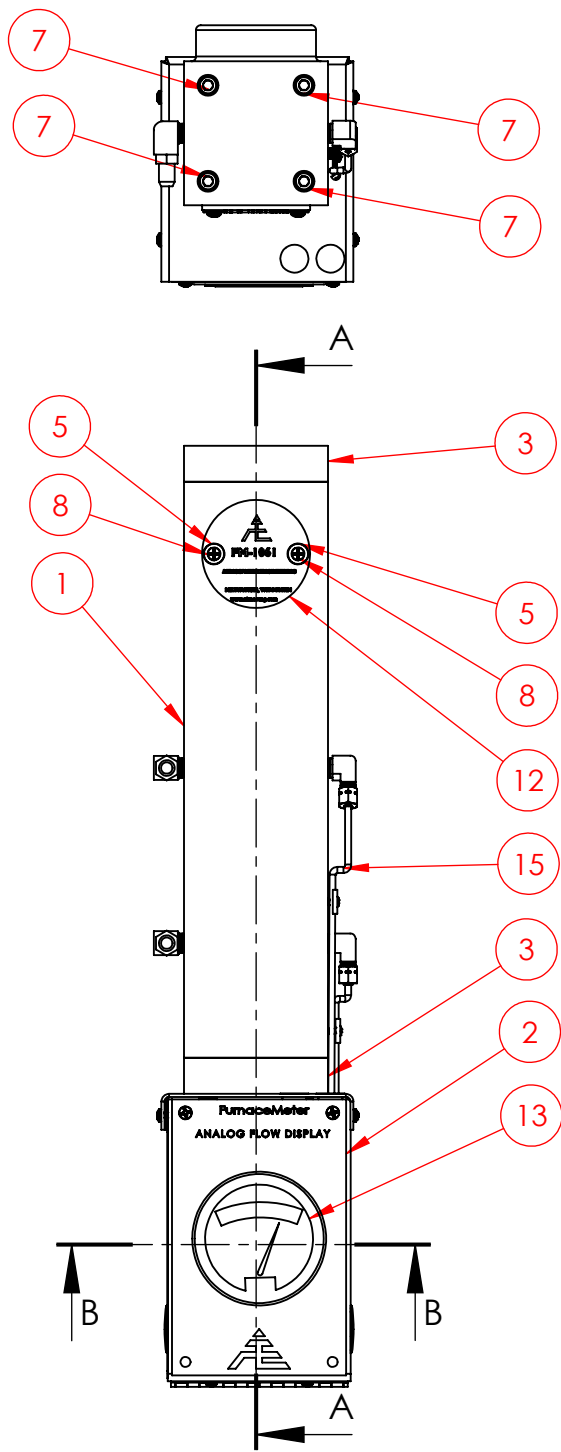


E	UPDATED DISPLAY SUB ASSEMBLY	7/28/15	AK	5
C	UPDATED WITH NEW ENCLOSURE SUB ASSEMBLY	4/20/15	NP	3
B	ADDED GAUGE PLATE	5/14/14	NP	2
REV. ID	REVISION	DATE	INITIAL	REV #
DIMENSIONS ARE IN INCHES				
TOLERANCES:				
.XX ±.01				
.XXX ±.005				
.XXXX ±.0005				
MATERIAL		TITLE		
ASSEMBLY		FM-AB-NV-125N-G05		
FINISH		SCALE:1:4	SIZE B	DWG. NO. A-6804
ASSEMBLY		SHEET No. 1 of 3		REV. 5

PROPRIETARY AND CONFIDENTIAL
THE INFORMATION CONTAINED IN THIS DRAWING IS THE SOLE PROPERTY OF ATMOSPHERE ENGINEERING. ANY REPRODUCTION IN PART OR AS A WHOLE WITHOUT THE WRITTEN PERMISSION OF ATMOSPHERE ENGINEERING IS PROHIBITED.



ATMOSPHERE ENGINEERING Co.
MILWAUKEE, WI U.S.A
ENGINEERING@ATMOSENG.COM



SECTION B-B
SCALE 1 : 2

SECTION A-A

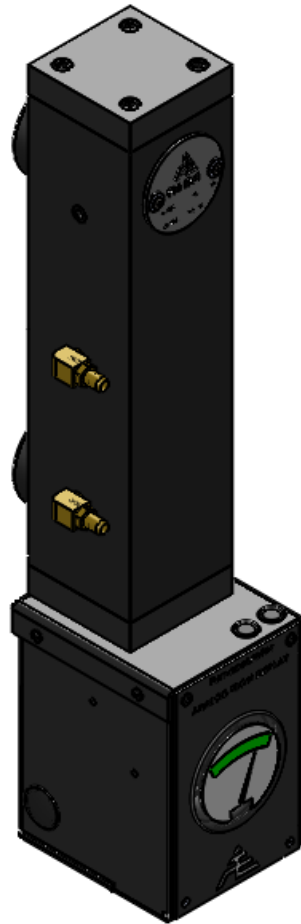
E	UPDATED DISPLAY SUB ASSEMBLY	7/28/15	AK	5
C	UPDATED WITH NEW ENCLOSURE SUB ASSEMBLY	4/20/15	NP	3
B	ADDED GAUGE PLATE	5/14/14	NP	2

REV. ID	REVISION	DATE	INITIAL	REV #
DIMENSIONS ARE IN INCHES				
TOLERANCES:				
		NAME	DATE	
		DRAWN	4/1/14	
		CHECKED	--	
MATERIAL				
ASSEMBLY				
FINISH				
ASSEMBLY				
SCALE:1:4		SIZE	DWG. NO.	SHEET No.
		B	A-6804	2 of 3
				REV.
				5

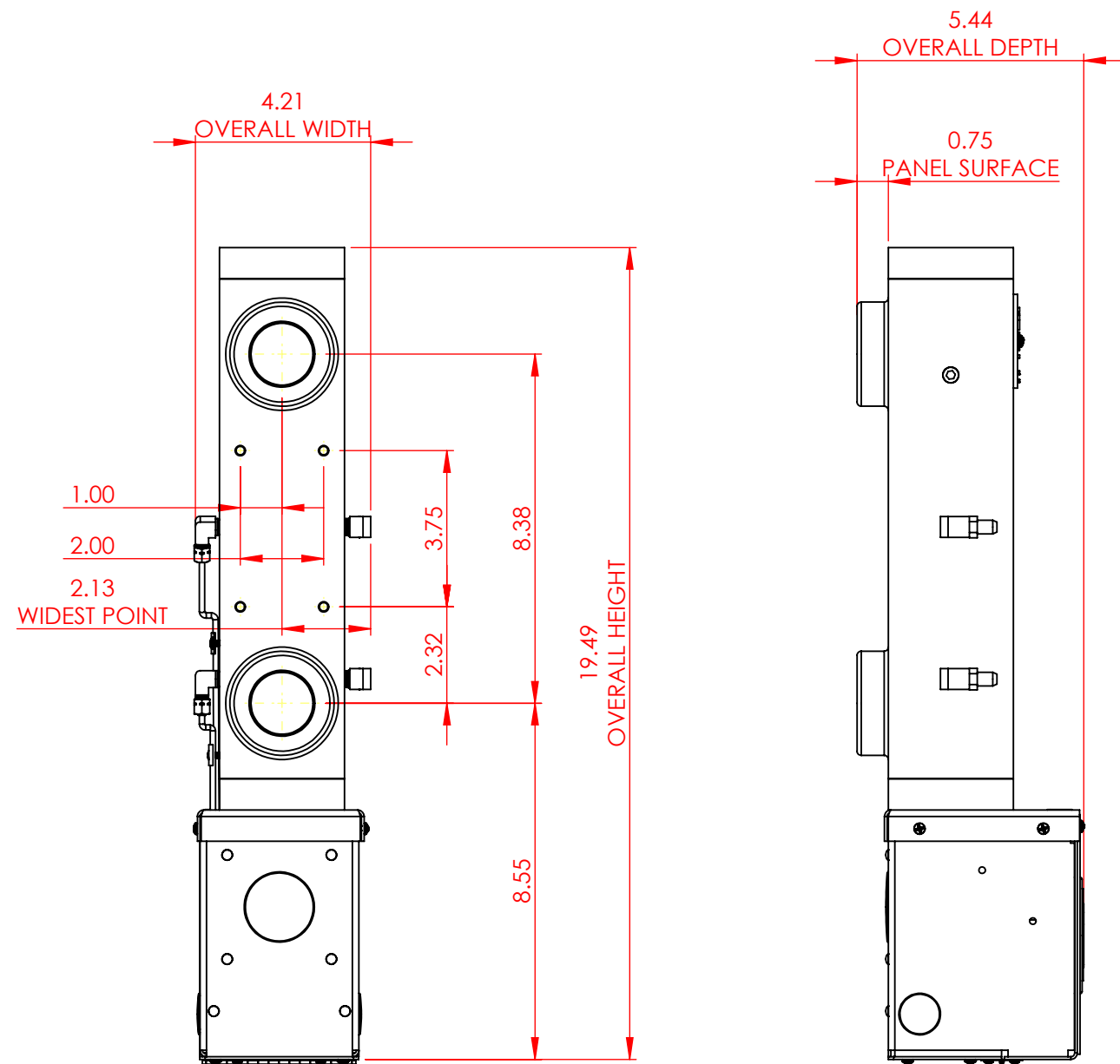
PROPRIETARY AND CONFIDENTIAL
THE INFORMATION CONTAINED IN THIS DRAWING IS THE SOLE PROPERTY OF ATMOSPHERE ENGINEERING. ANY REPRODUCTION IN PART OR AS A WHOLE WITHOUT THE WRITTEN PERMISSION OF ATMOSPHERE ENGINEERING IS PROHIBITED.

ATMOSPHERE ENGINEERING Co.
MILWAUKEE, WI U.S.A.
ENGINEERING@ATMOSENG.COM

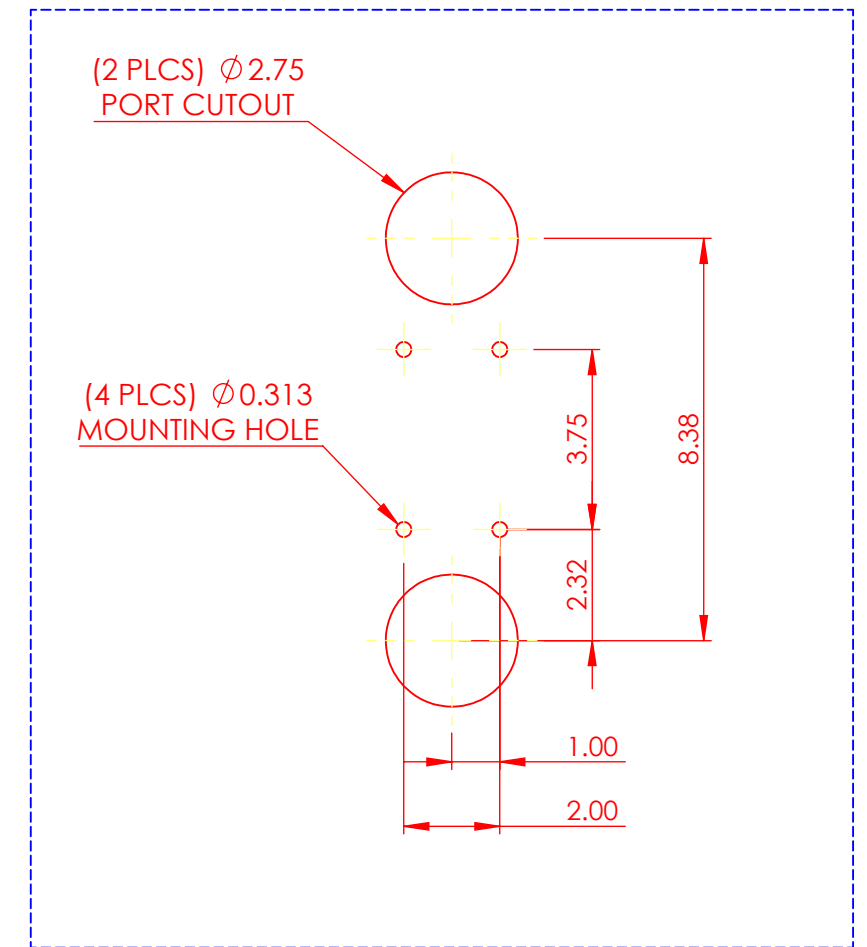
FM-AB-NV-125N-G05



1.25" NPT PORTS



PANEL CUTOUT PROVISIONS



PROPRIETARY AND CONFIDENTIAL
 THE INFORMATION CONTAINED IN THIS DRAWING IS THE SOLE PROPERTY OF ATMOSPHERE ENGINEERING. ANY REPRODUCTION IN PART OR AS A WHOLE WITHOUT THE WRITTEN PERMISSION OF ATMOSPHERE ENGINEERING IS PROHIBITED.

REV. ID	REVISION	DATE	INITIAL	REV #
E	UPDATED DISPLAY SUB ASSEMBLY	7/28/15	AK	5
D	UPDATED DIMENSIONAL DRAWINGS	7/27/15	CPM	4
DIMENSIONS ARE IN INCHES				
TOLERANCES:				
.XX ±.01				
.XXX ±.005				
.XXXX ±.0005				
MATERIAL		TITLE		
ASSEMBLY		FM-AB-NV-125N-G05 DIMENSIONAL DRAWING		
FINISH		SCALE:1:4	SIZE B	DWG. NO. A-6804-DIM
		SHEET No. 3 of 3		REV. 5

