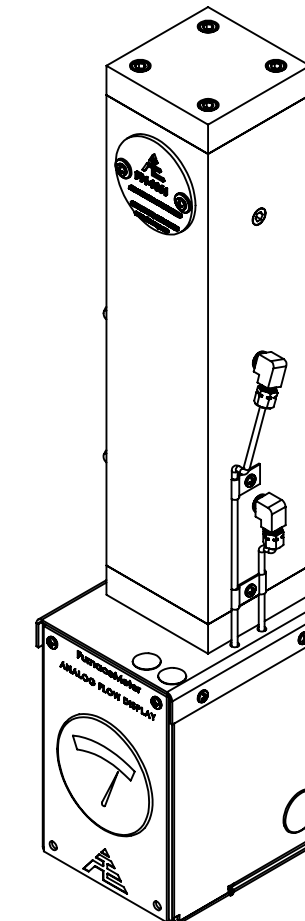

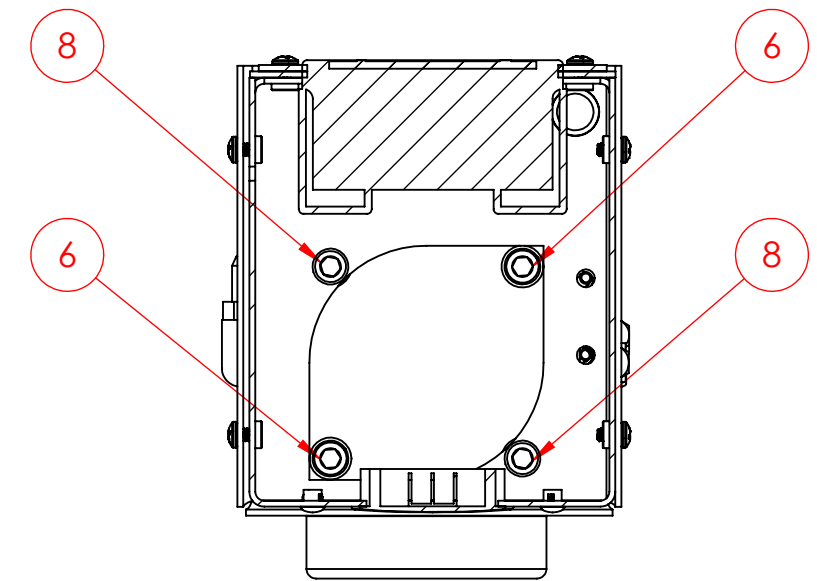
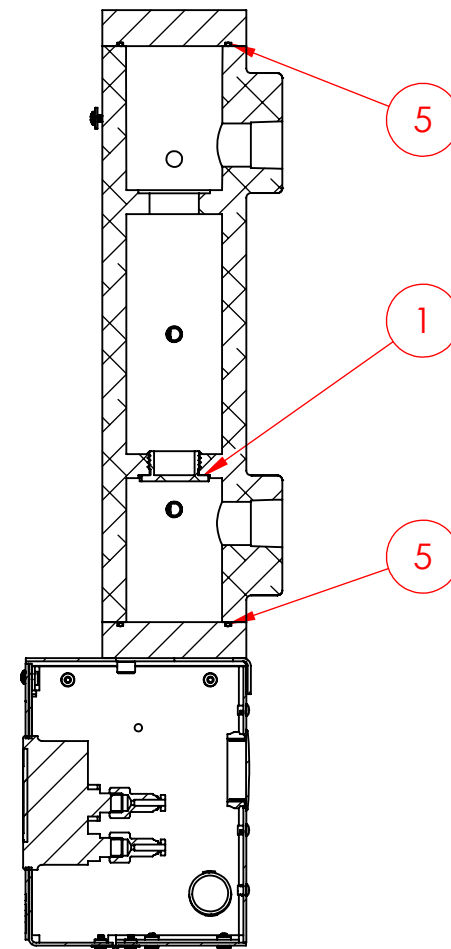
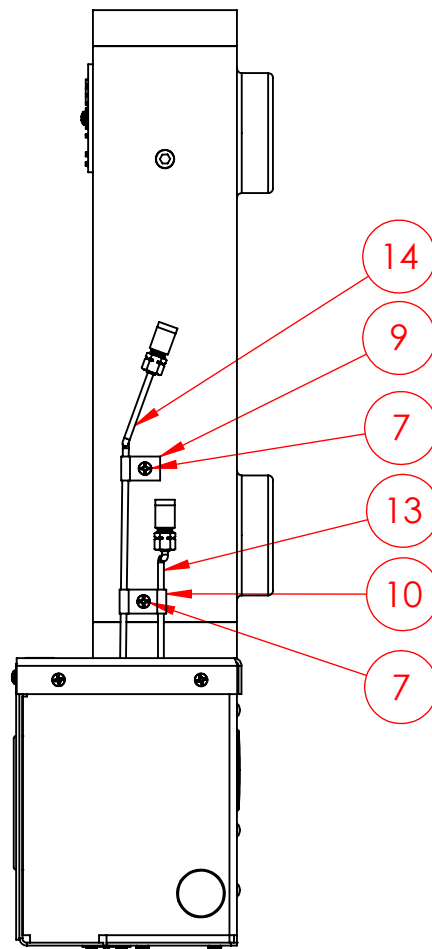
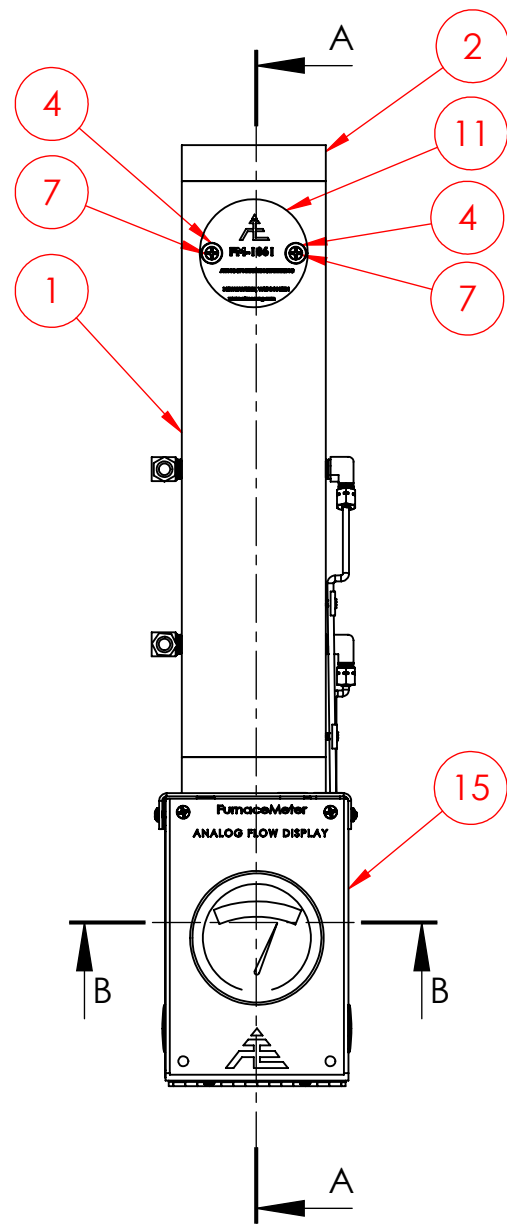
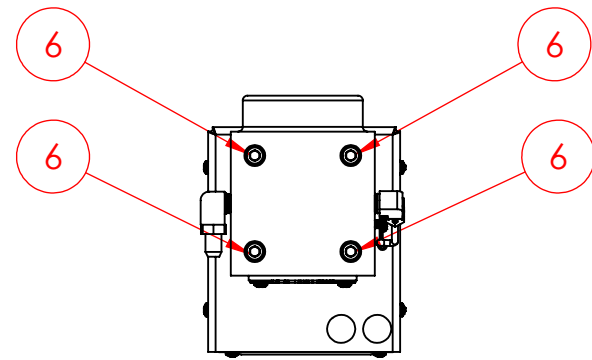


ITEM NO.	QTY.	PART NUMBER	DESCRIPTION
1	1	A-6705	FM-AB-075N Analog Body Assy
2	2	D-2348	Blank Furnace Meter Flange
3	1	D-4029	Blank Furnace Meter Orifice
4	2	H-1012	#8 Washer, .19" ID, .44" OD
5	2	H-1030	#139 O-Ring
6	6	H-1032	1/4-20 x .75"L Cap Screw
7	4	H-1048	#6-32 x .3125"L Pan Head Screw
8	2	H-1068	1/4-20 x 1.25" Cap Screw
9	1	H-1117	.125in Tube Clamp, 1 Tube
10	1	H-1118	.125in Tube Clamp, 2 Tube
11	1	L-403	Serial Plate Label
12	1	L-4292	Gauge Plate (D)
13	1	P-1839	.125in OD Nylon Tubing
14	1	P-1839	.125in OD Nylon Tubing
15	1	A-6706	FM-AB-G05 Analog Display Assembly
16	2	P-1957	.125" MNPT x .125" Tube Brass Compression Elbow
17	2	P-1776	.125"MNPT x .125"FNPT Elbow, Brass
18	2	P-1775	.125" NPT Test Port, Brass



PROPRIETARY AND CONFIDENTIAL
 THE INFORMATION CONTAINED IN THIS DRAWING IS THE SOLE PROPERTY OF ATMOSPHERE ENGINEERING. ANY REPRODUCTION IN PART OR AS A WHOLE WITHOUT THE WRITTEN PERMISSION OF ATMOSPHERE ENGINEERING IS PROHIBITED.

--	--	--/--/--	--	--
A	UPDATED WITH NEW ENCLOSURE SUB ASSEMBLY	4/20/15	NP	1
REV. ID	REVISION	DATE	INITIAL	REV #
DIMENSIONS ARE IN INCHES		NAME	DATE	 ATMOSPHERE ENGINEERING Co. MILWAUKEE, WI U.S.A ENGINEERING@ATMOSENG.COM
TOLERANCES:		DRAWN	7/15/14	
.XX ±.01		CHECKED	--	
.XXX ±.005				
.XXXX ±.0005				TITLE
MATERIAL		ASSEMBLY		
FINISH		ASSEMBLY		
SCALE:1:4		SIZE	DWG. NO.	SHEET No.
		B	A-7295	1 of 3
				REV.
				2



SECTION B-B
SCALE 1:2

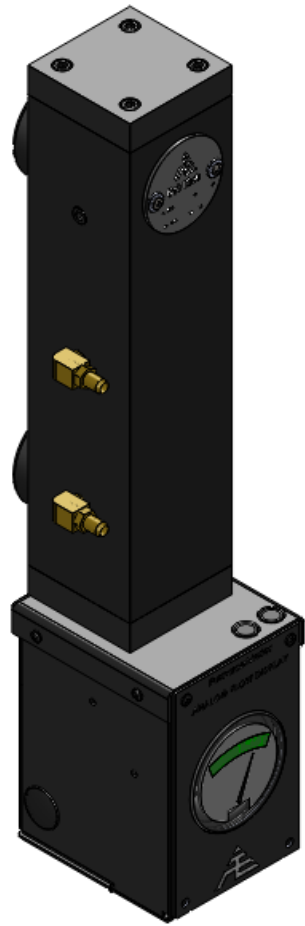
SECTION A-A

PROPRIETARY AND CONFIDENTIAL
THE INFORMATION CONTAINED IN THIS
DRAWING IS THE SOLE PROPERTY OF
ATMOSPHERE ENGINEERING. ANY
REPRODUCTION IN PART OR AS A WHOLE
WITHOUT THE WRITTEN PERMISSION OF
ATMOSPHERE ENGINEERING IS
PROHIBITED.

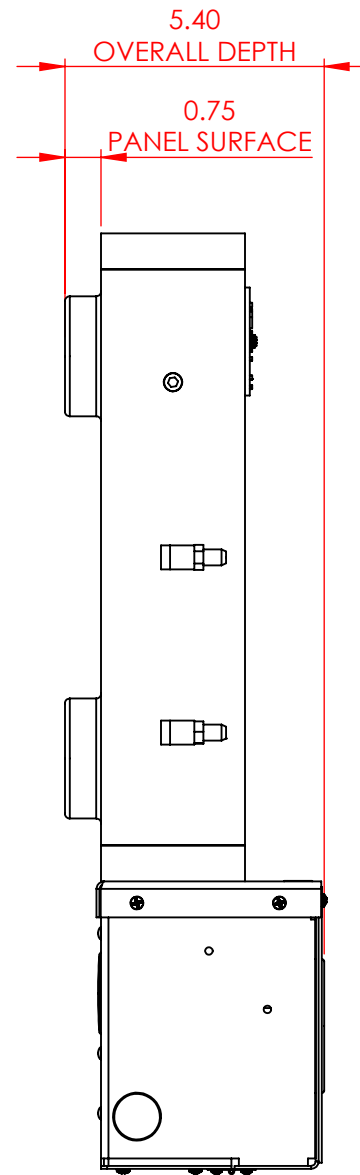
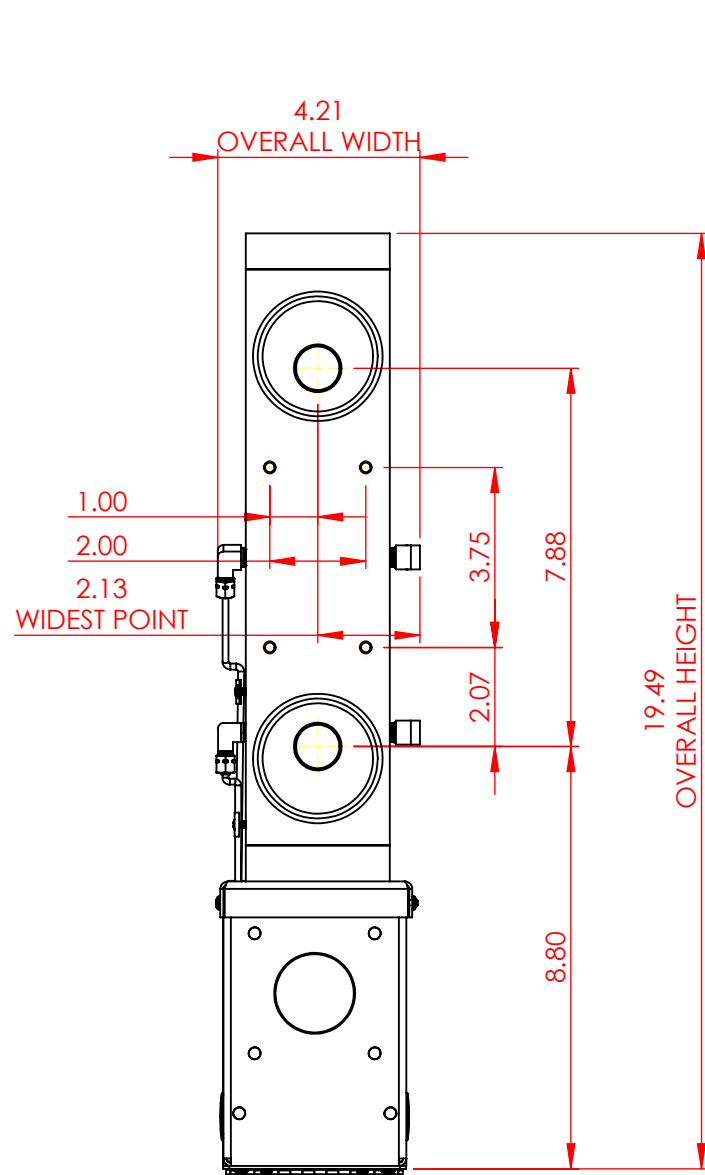
REV. ID	REVISION	DATE	INITIAL	REV #
A	UPDATED WITH NEW ENCLOSURE SUB ASSEMBLY	4/20/15	NP	1
DIMENSIONS ARE IN INCHES				
TOLERANCES:				
.XX ±.01				
.XXX ±.005				
.XXXX ±.0005				
MATERIAL		TITLE		
ASSEMBLY		FM-AB-NV-075N-G05		
FINISH		SCALE:1:4	SIZE B	DWG. NO. A-7295
		SHEET No. 2 of 3		REV. 2



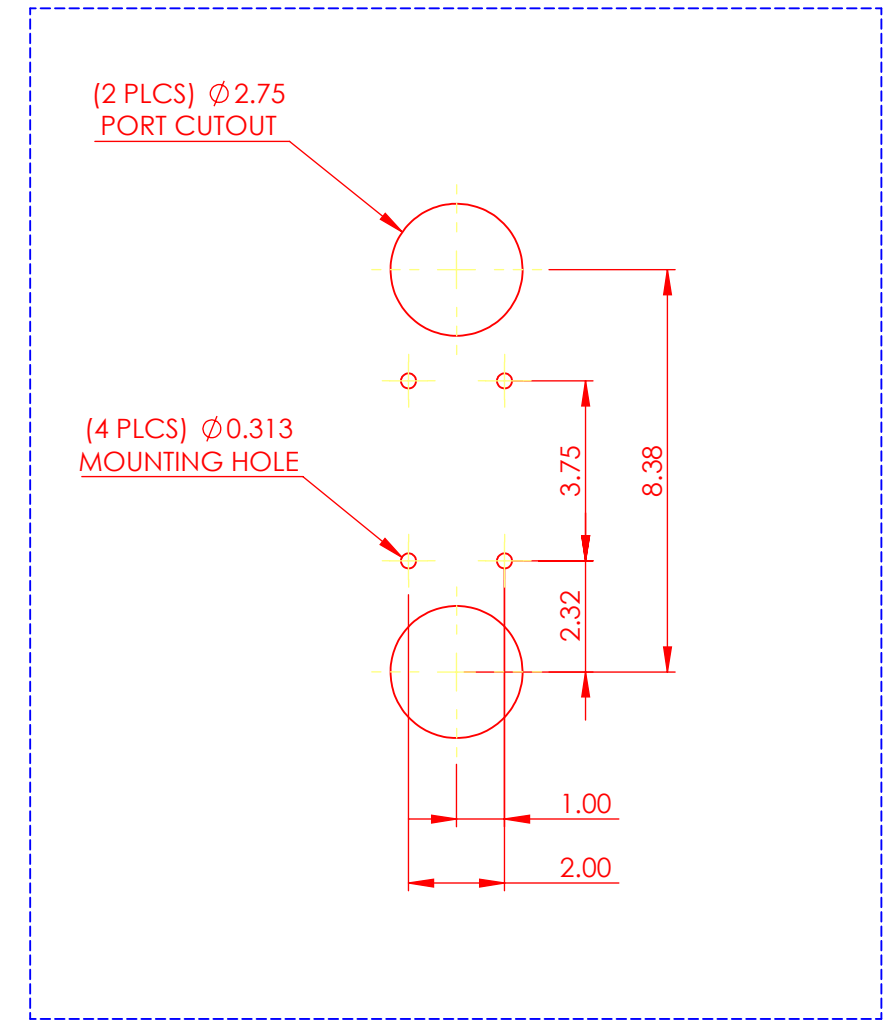
ATMOSPHERE ENGINEERING Co.
MILWAUKEE, WI U.S.A
ENGINEERING@ATMOSENG.COM



0.75" NPT PORTS



PANEL CUTOUT PROVISIONS



PROPRIETARY AND CONFIDENTIAL
 THE INFORMATION CONTAINED IN THIS DRAWING IS THE SOLE PROPERTY OF ATMOSPHERE ENGINEERING. ANY REPRODUCTION IN PART OR AS A WHOLE WITHOUT THE WRITTEN PERMISSION OF ATMOSPHERE ENGINEERING IS PROHIBITED.

REV. ID	REVISION	DATE	INITIAL	REV #
B	UPDATED DIMENSIONAL DRAWING	5/27/15	CMP	2
A	UPDATED WITH NEW ENCLOSURE SUB ASSEMBLY	4/20/15	NP	1
DIMENSIONS ARE IN INCHES				
TOLERANCES:				
.XX ±.01				
.XXX ±.005				
.XXXX ±.0005				
MATERIAL		TITLE		
ASSEMBLY		FM-AB-NV-075N-G05 DIMENSIONAL DRAWING		
FINISH		SCALE:1:4	SIZE	DWG. NO.
ASSEMBLY		B	A-7295-DIM	SHEET No.
				3 of 3
				REV.
				2

