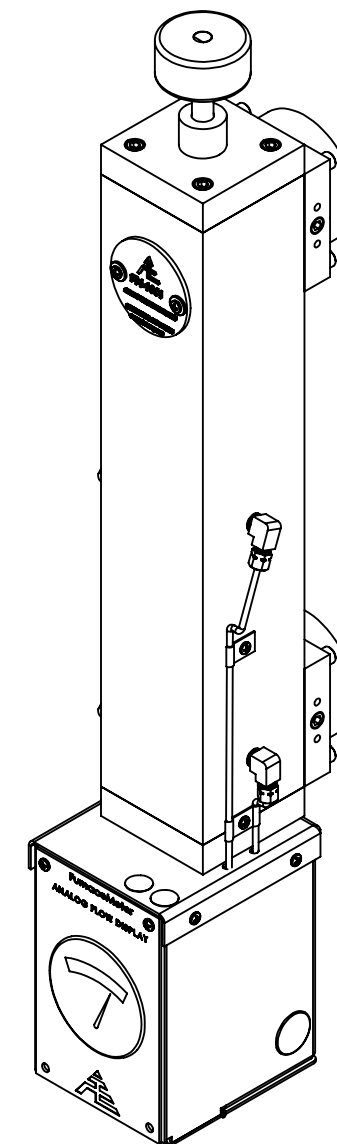

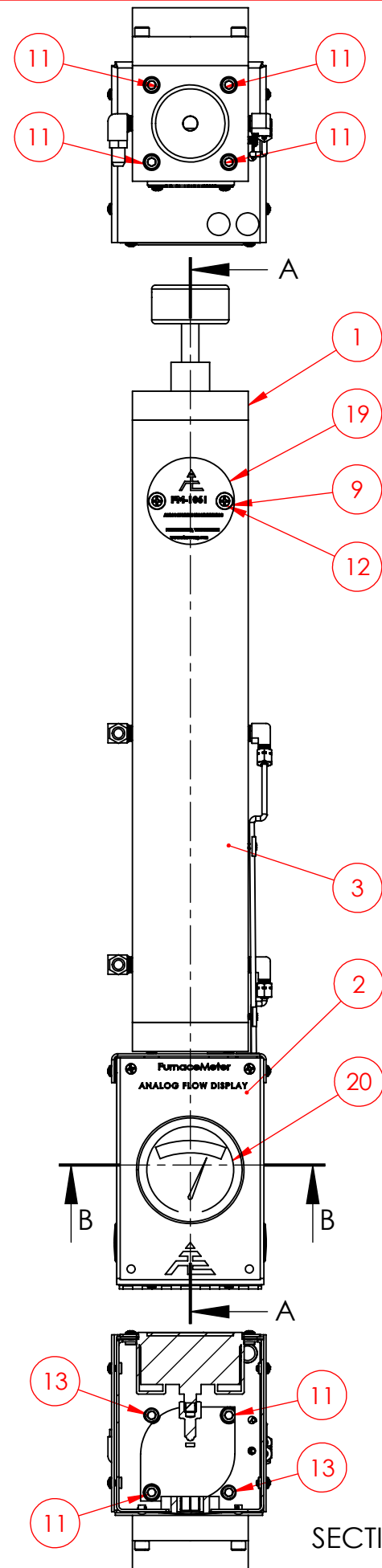


ITEM NO.	QTY.	PART NUMBER	DESCRIPTION
1	1	A-6698	FM-MV-(075N-200N) Manual Valve Assembly
2	1	A-6706	FM-AB-G05 Analog Display Assembly
3	1	A-6942	FM-AB-200N Analog Body Assy
4	1	D-2348	Blank Furnace Meter Flange
5	1	D-3361	E-Valve Needle (1.25" Valve Seat)
6	1	D-3862	2in FurnaceMeter Nylon Valve Seat
7	1	D-3864	2in FurnaceMeter Blank Orifice
8	1	H-1010	#8-32 X 1.75"L Cap Screw
9	2	H-1012	#8 Washer, .19" ID, .44" OD
10	2	H-1030	#139 O-Ring
11	6	H-1032	1/4-20 x .75"L Cap Screw
12	4	H-1048	#6-32 x .3125"L Pan Head Screw
13	2	H-1068	1/4-20 x 1.25" Cap Screw
14	1	H-1096	Rubber Washer, #10 Screw .56"OD
15	1	H-1097	Rubber Washer, #8 Screw .31"OD
16	1	H-1117	.125in Tube Clamp, 1 Tube
17	1	H-1118	.125in Tube Clamp, 2 Tube
18	1	H-2478	#8-32 Set Screw
19	1	L-403	Serial Plate Label
20	1	L-4292	Gauge Plate (D)
21	1	P-1839	.125in OD Nylon Tubing
22	1	P-1839	.125in OD Nylon Tubing

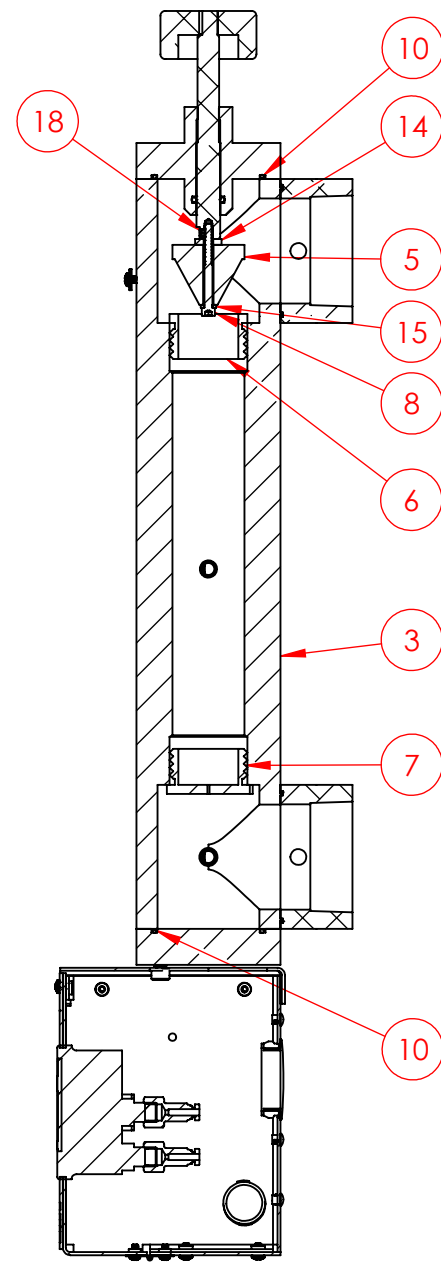


PROPRIETARY AND CONFIDENTIAL
 THE INFORMATION CONTAINED IN THIS DRAWING IS THE SOLE PROPERTY OF ATMOSPHERE ENGINEERING. ANY REPRODUCTION IN PART OR AS A WHOLE WITHOUT THE WRITTEN PERMISSION OF ATMOSPHERE ENGINEERING IS PROHIBITED.

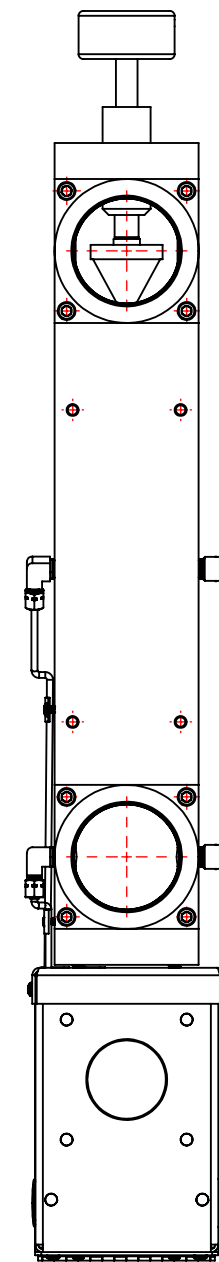
REV. ID	REVISION	DATE	INITIAL	REV #
--	--	--/--/--	--	--
--	--	--/--/--	--	--
--	--	--/--/--	--	--
DIMENSIONS ARE IN INCHES		NAME	DATE	 ATMOSPHERE ENGINEERING Co. MILWAUKEE, WI U.S.A ENGINEERING@ATMOSENG.COM
TOLERANCES:		DRAWN	5/21/15	
.XX ±.01		CHECKED	--	
.XXX ±.005		TITLE		
.XXX ±.005		ASSEMBLY		
MATERIAL		FM-AB-MVM-200N-G05		
FINISH		SCALE:1:4	SIZE B	DWG. NO. A-8594
ASSEMBLY		SHEET No. 1 of 3		REV. 1




SECTION B-B



SECTION A-A

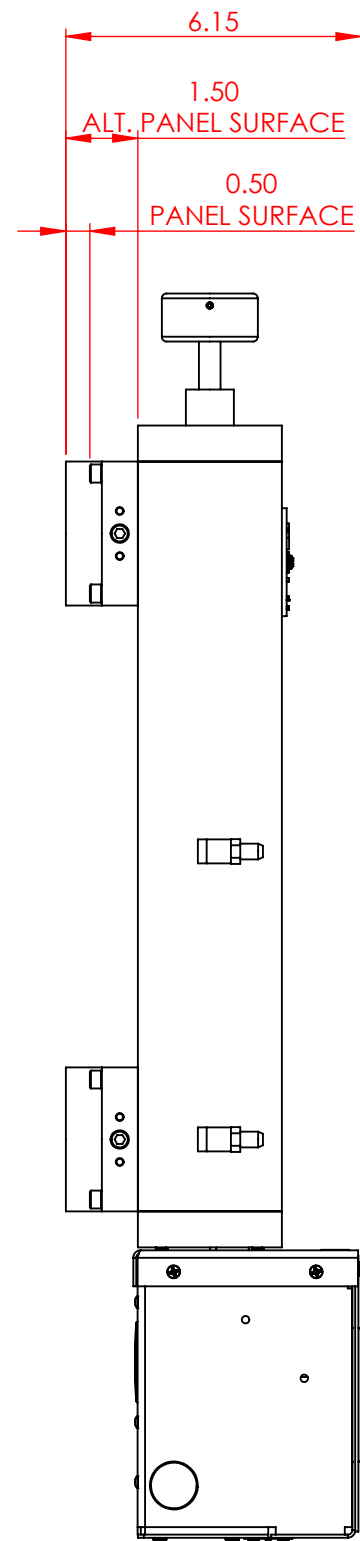
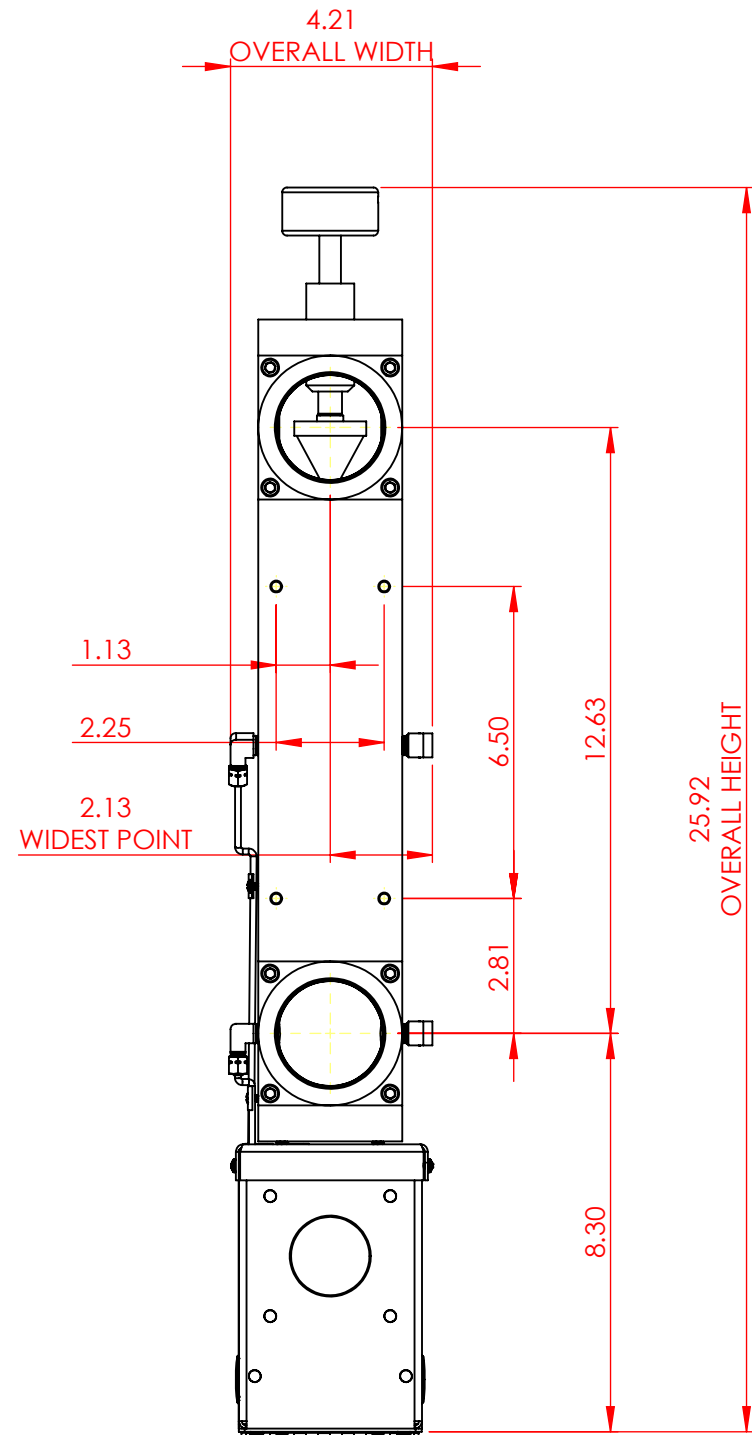


PROPRIETARY AND CONFIDENTIAL
 THE INFORMATION CONTAINED IN THIS DRAWING IS THE SOLE PROPERTY OF ATMOSPHERE ENGINEERING. ANY REPRODUCTION IN PART OR AS A WHOLE WITHOUT THE WRITTEN PERMISSION OF ATMOSPHERE ENGINEERING IS PROHIBITED.

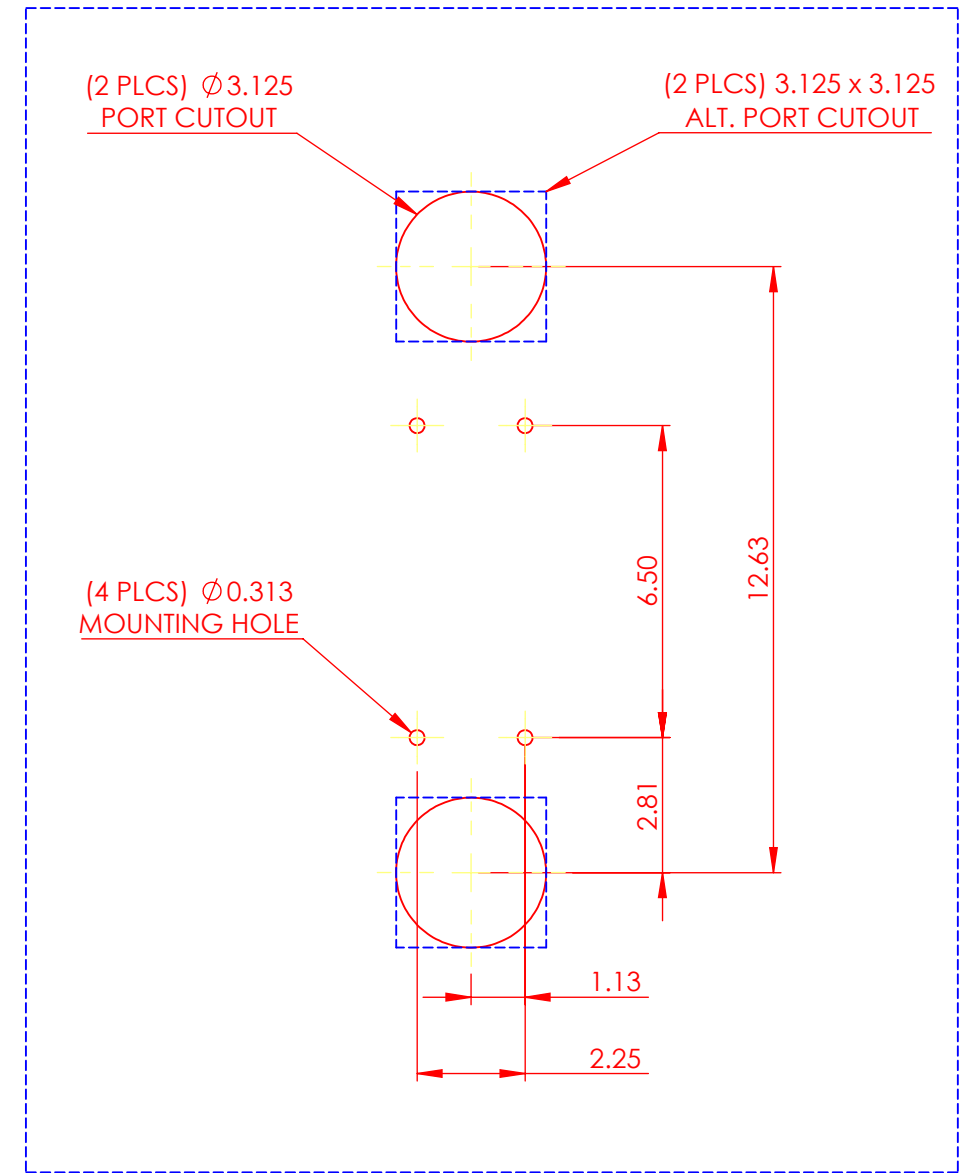
REV. ID	REVISION	DATE	INITIAL	REV #
--	--	--/--	--	--
--	--	--/--	--	--
--	--	--/--	--	--
DIMENSIONS ARE IN INCHES TOLERANCES: .XX ±.01 .XXX ±.005 .XXXX ±.0005				
MATERIAL		NAME	DATE	 ATMOSPHERE ENGINEERING Co. MILWAUKEE, WI U.S.A ENGINEERING@ATMOSENG.COM
ASSEMBLY		DRAWN	NP	5/21/15
FINISH		CHECKED	--	--
ASSEMBLY		TITLE		
		FM-AB-MVM-200N-G05		
SCALE:1:4	SIZE	DWG. NO.	SHEET No.	REV.
B	A-8594	2 of 3	1	




2" NPT PORTS



PANEL CUTOUT PROVISIONS



PROPRIETARY AND CONFIDENTIAL
THE INFORMATION CONTAINED IN THIS DRAWING IS THE SOLE PROPERTY OF ATMOSPHERE ENGINEERING. ANY REPRODUCTION IN PART OR AS A WHOLE WITHOUT THE WRITTEN PERMISSION OF ATMOSPHERE ENGINEERING IS PROHIBITED.

REV. ID	REVISION	DATE	INITIAL	REV #
--	--	--/--/--	--	--
A	UPDATED DIMENSIONAL DRAWING	7/27/15	CPM	1
DIMENSIONS ARE IN INCHES		TOLERANCES:		
.XX ±.01		DRAWN NP 5/21/15		
.XXX ±.005		CHECKED -- --		
.XXXX ±.0005		 ATMOSPHERE ENGINEERING Co. MILWAUKEE, WI U.S.A. ENGINEERING@ATMOSENG.COM		
MATERIAL		TITLE		
ASSEMBLY		FM-AB-MVM-200N-G05 DIMENSIONAL DRAWING		
FINISH		SCALE:1:4	SIZE B	DWG. NO. A-8594-DIM
		SHEET No. 3 of 3		REV. 1