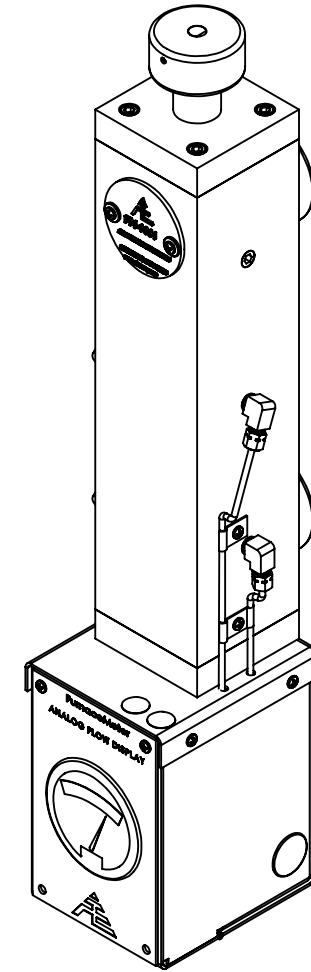

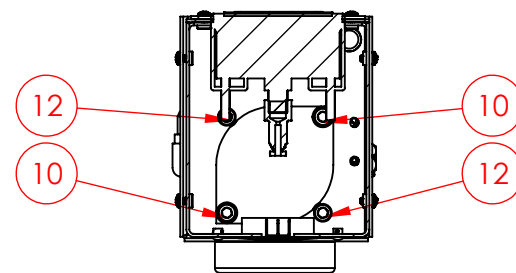
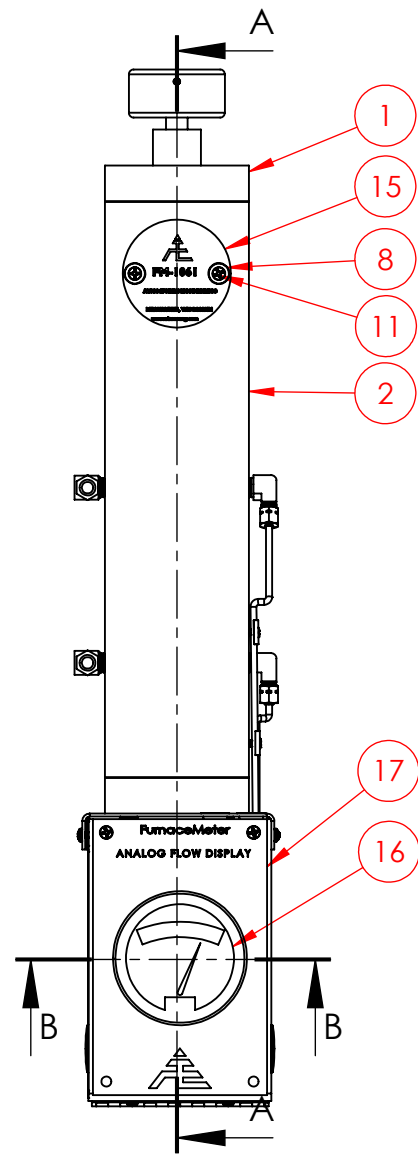
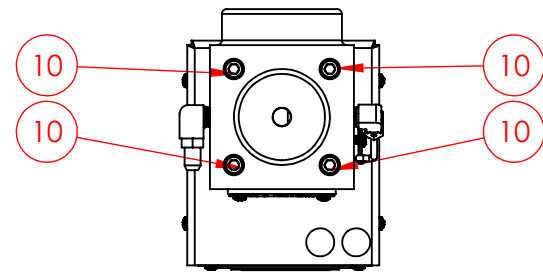


ITEM NO.	QTY.	PART NUMBER	DESCRIPTION
1	1	A-6698	FM Manual Valve Assembly
2	1	A-6704	FM-AB-125N Analog FM Body Assembly
3	1	D-2348	Blank Furnace Meter Flange
4	1	D-3748	E-Valve Needle EVM (.75" Valve Seat)
5	1	D-3962	.75" Nylon Valve Seat
6	1	D-4029	Blank FurnaceMeter Orifice
7	1	H-1010	#8-32 X 1.75"L Cap Screw
8	2	H-1012	#8 Washer, .19" ID, .44" OD
9	2	H-1030	#139 O-Ring
10	6	H-1032	1/4-20 x .75"L Cap Screw
11	4	H-1048	#6-32 x .3125"L Pan Head Screw
12	2	H-1068	1/4-20 x 1.25" Cap Screw
13	1	H-1096	Rubber Washer, #10 Screw .56"OD
14	1	H-1097	Rubber Washer, #8 Screw .31"OD
15	1	L-403	Serial Plate Label
16	1	L-4292	Gauge Plate (D)
17	1	A-6706	FM-AB-G05 Analog Display Assembly
18	1	P-1839	.125in OD Nylon Tubing
19	1	P-1839	.125in OD Nylon Tubing
20	1	H-1118	.125in Tube Clamp, 2 Tube
21	1	H-1117	.125in Tube Clamp, 1 Tube

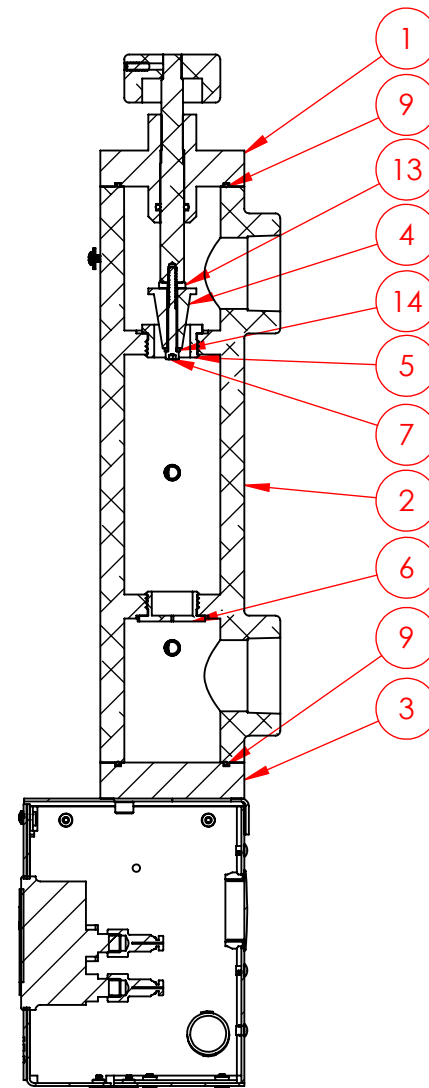


PROPRIETARY AND CONFIDENTIAL
 THE INFORMATION CONTAINED IN THIS DRAWING IS THE SOLE PROPERTY OF ATMOSPHERE ENGINEERING. ANY REPRODUCTION IN PART OR AS A WHOLE WITHOUT THE WRITTEN PERMISSION OF ATMOSPHERE ENGINEERING IS PROHIBITED.

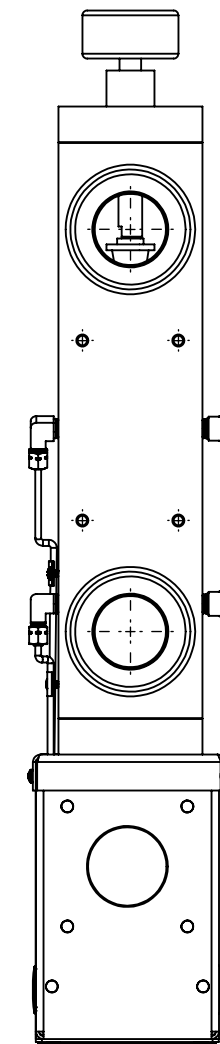
--	--	--/--/--	--	--
B	UPDATED WITH NEW ENCLOSURE SUB ASSEMBLY	4/20/15	NP	2
A	ADDED GAUGE PLATE	5/14/14	NP	1
REV. ID	REVISION	DATE	INITIAL	REV #
DIMENSIONS ARE IN INCHES		NAME	DATE	 ATMOSPHERE ENGINEERING Co. MILWAUKEE, WI U.S.A ENGINEERING@ATMOSENG.COM
TOLERANCES:		DRAWN	4/1/14	
.XX ±.01		CHECKED	--	
.XXX ±.005				FM-AB-MVM-125N-G05
.XXXX ±.0005				
MATERIAL		TITLE		SCALE:1:4 B DWG. NO. A-6802 SHEET No. 1 of 3 REV. 3
ASSEMBLY				
FINISH				
ASSEMBLY				



SECTION B-B



SECTION A-A

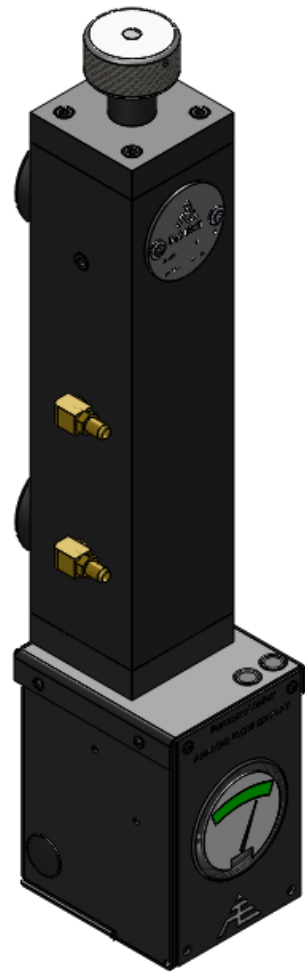


PROPRIETARY AND CONFIDENTIAL
 THE INFORMATION CONTAINED IN THIS DRAWING IS THE SOLE PROPERTY OF ATMOSPHERE ENGINEERING. ANY REPRODUCTION IN PART OR AS A WHOLE WITHOUT THE WRITTEN PERMISSION OF ATMOSPHERE ENGINEERING IS PROHIBITED.

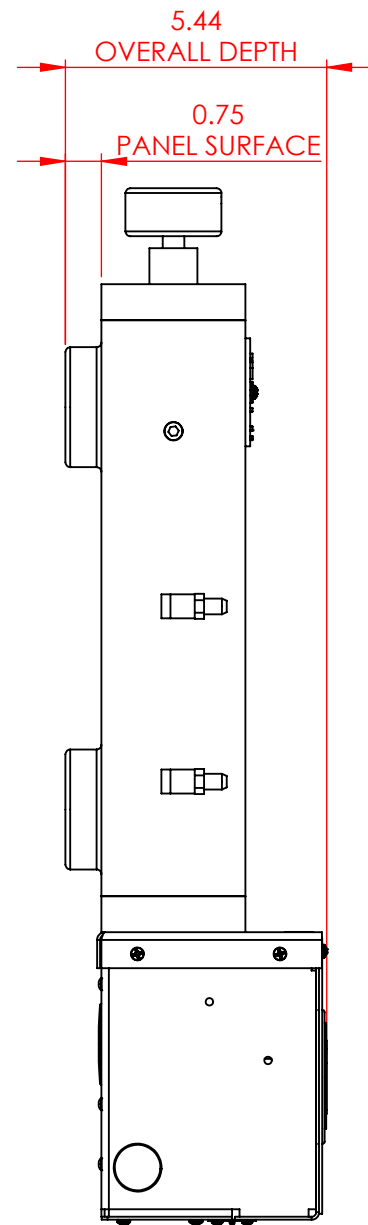
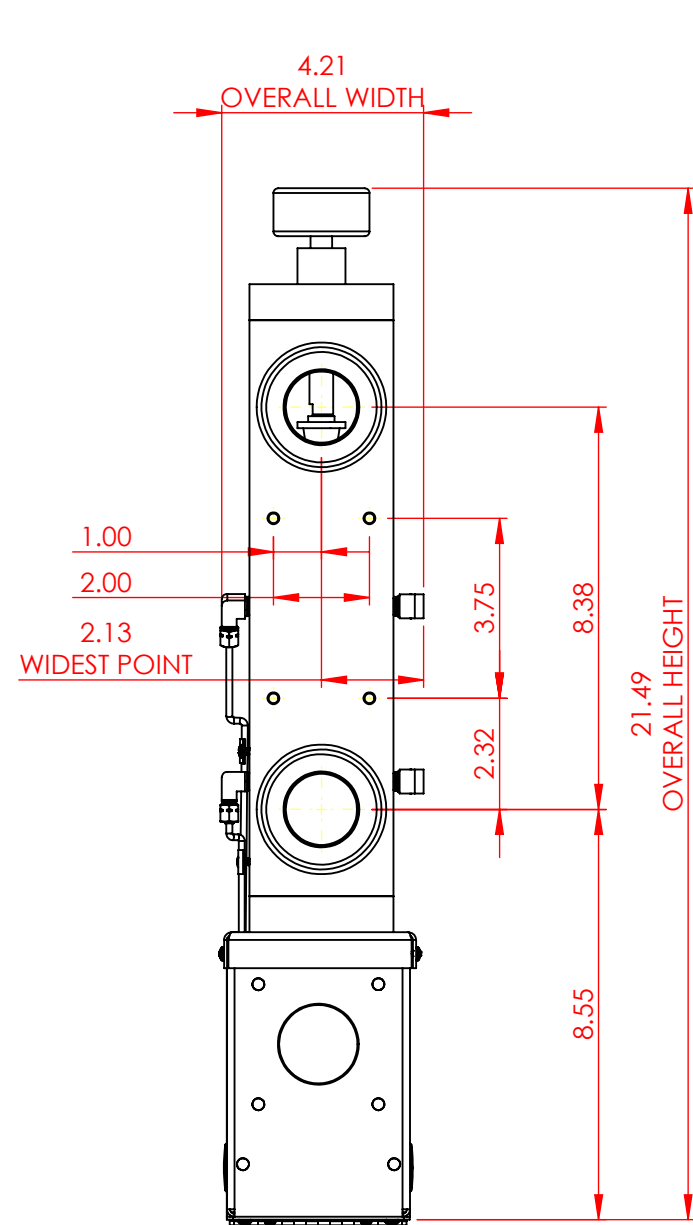
REV. ID	REVISION	DATE	INITIAL	REV #
B	UPDATED WITH NEW ENCLOSURE SUB ASSEMBLY	4/20/15	NP	2
A	ADDED GAUGE PLATE	5/14/14	NP	1
DIMENSIONS ARE IN INCHES				
TOLERANCES:				
.XX ±.01				
.XXX ±.005				
.XXXX ±.0005				
MATERIAL				
ASSEMBLY				
FINISH				
ASSEMBLY				
SCALE:1:4		SIZE	DWG. NO.	SHEET No.
		B	A-6802	2 of 3
		TITLE		REV.
		FM-AB-MVM-125N-G05		3



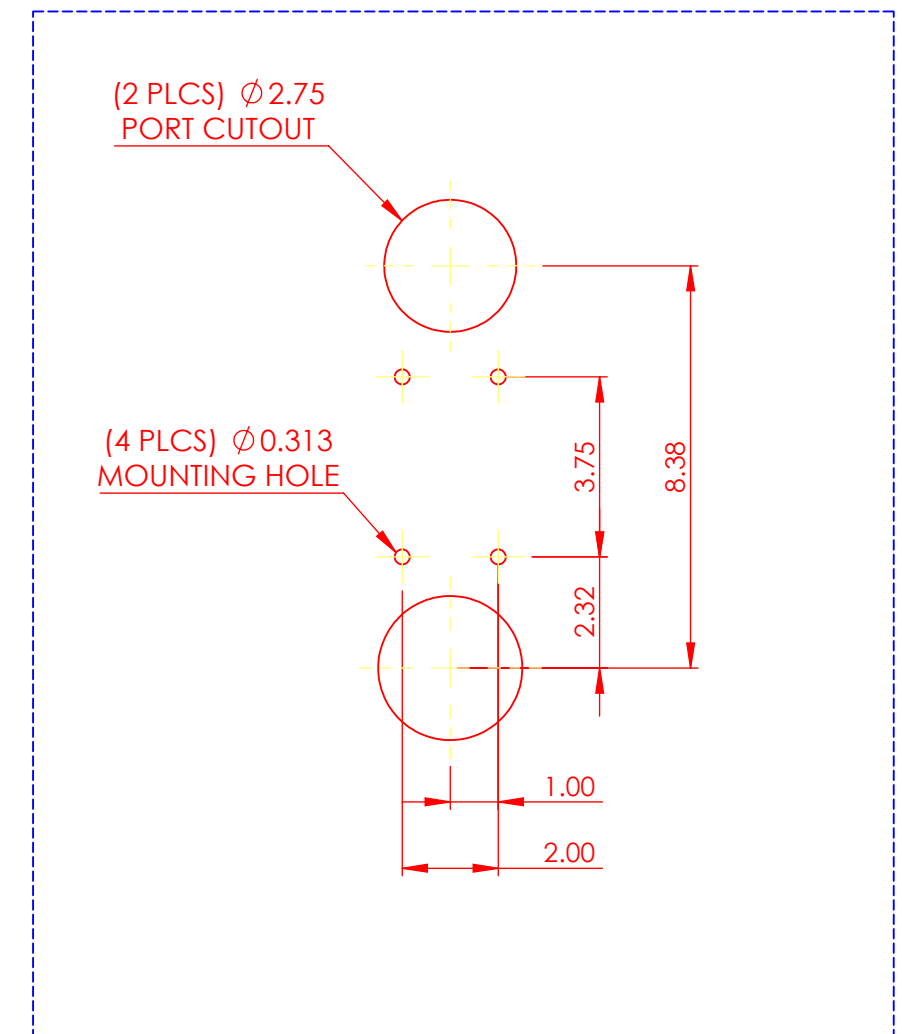
ATMOSPHERE ENGINEERING Co.
 MILWAUKEE, WI U.S.A
 ENGINEERING@ATMOSENG.COM




1.25" NPT PORTS



PANEL CUTOUT PROVISIONS



PROPRIETARY AND CONFIDENTIAL
 THE INFORMATION CONTAINED IN THIS DRAWING IS THE SOLE PROPERTY OF ATMOSPHERE ENGINEERING. ANY REPRODUCTION IN PART OR AS A WHOLE WITHOUT THE WRITTEN PERMISSION OF ATMOSPHERE ENGINEERING IS PROHIBITED.

---	---	---	---	---
C	UPDATED DIMENSIONAL DRAWING	7/27/15	CPM	3
REV. ID	REVISION	DATE	INITIAL	REV #
DIMENSIONS ARE IN INCHES		NAME	DATE	 ATMOSPHERE ENGINEERING Co. MILWAUKEE, WI U.S.A ENGINEERING@ATMOSENG.COM
TOLERANCES:		DRAWN	4/1/14	
.XX ±.01		CHECKED	--	
.XXX ±.005				
.XXX ±.005				TITLE
MATERIAL		FM-AB-MVM-125N-G05 DIMENSIONAL DRAWING		
ASSEMBLY		SCALE:1:4	SIZE B	DWG. NO. A-6802-DIM
FINISH		SHEET No. 3 of 3		REV. 3