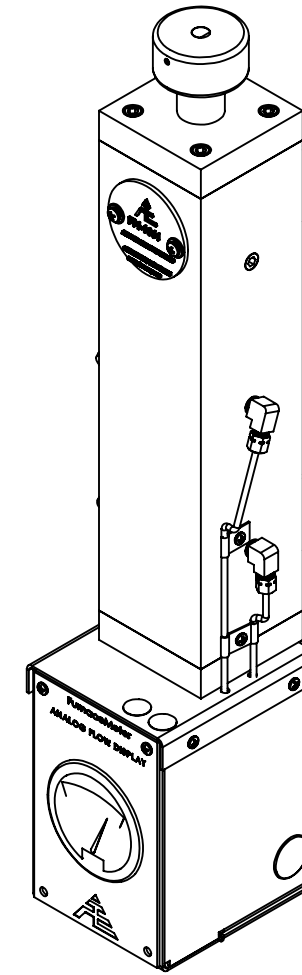

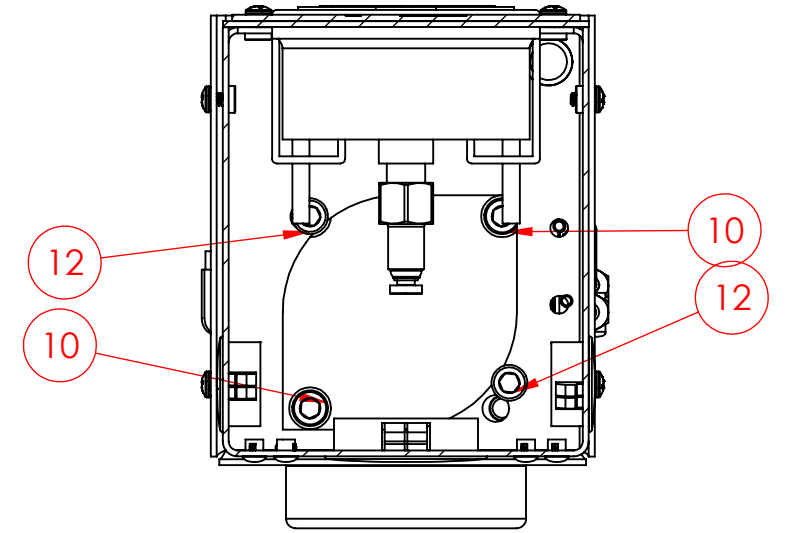
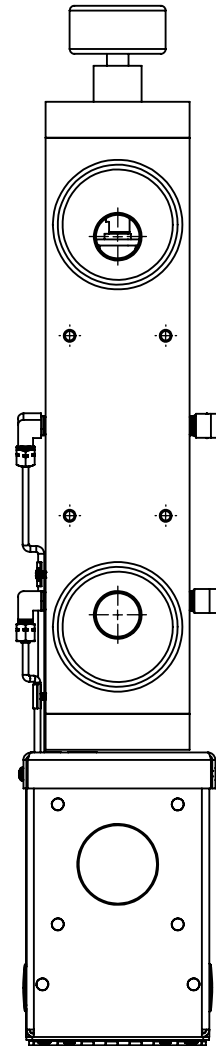
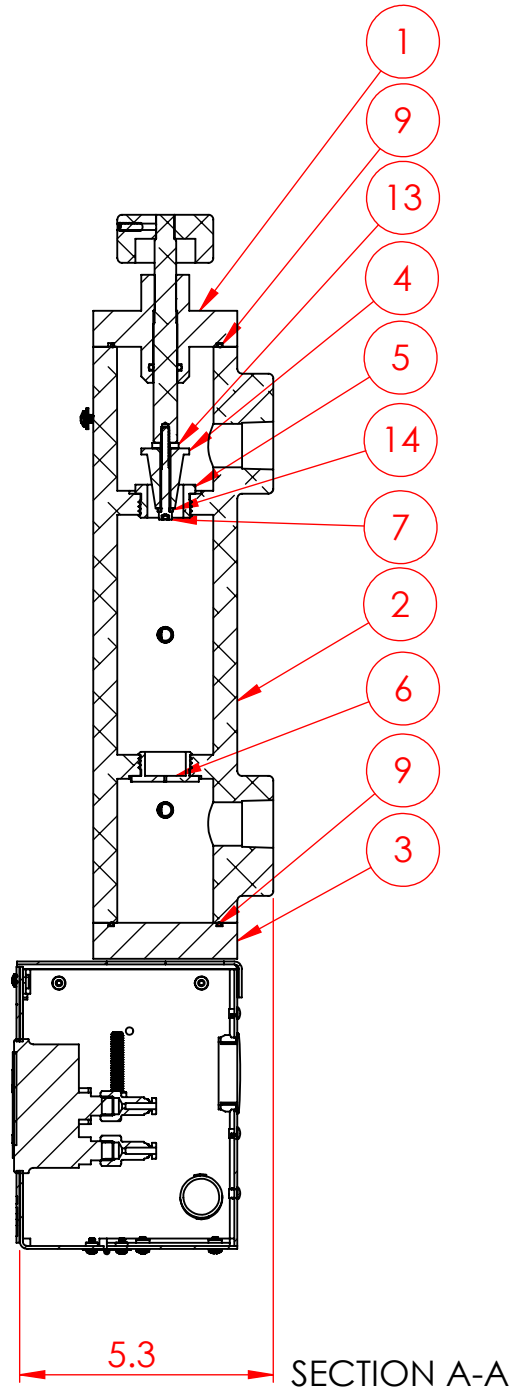
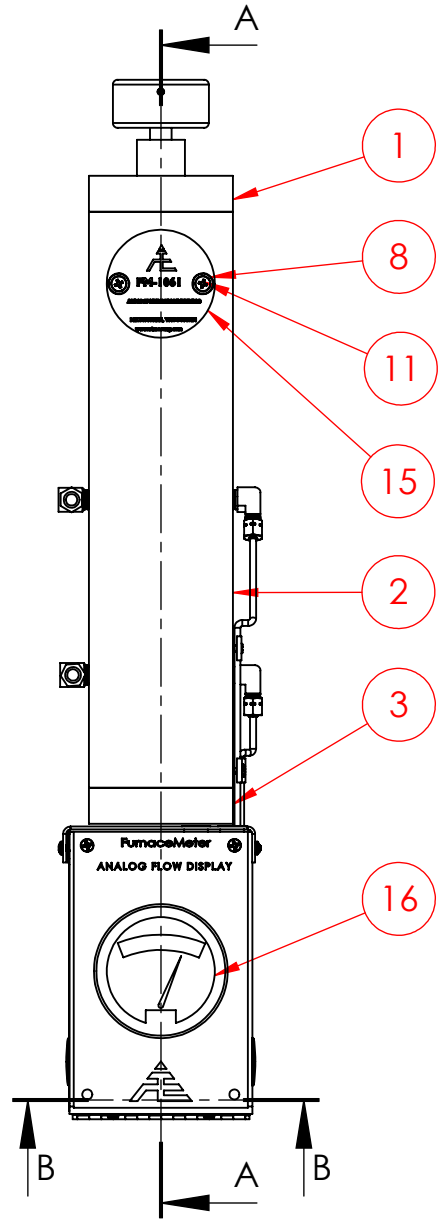
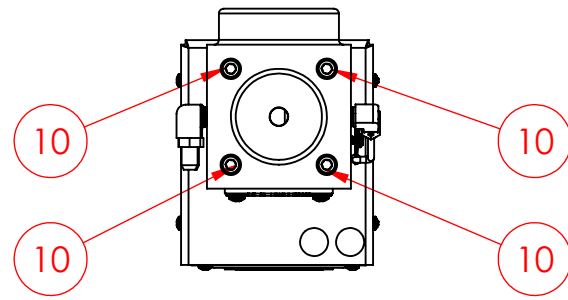


ITEM NO.	QTY.	PART NUMBER	DESCRIPTION
1	1	A-6698	FM Manual Valve Assembly
2	1	A-6705	FM-AB-075N Analog Body Assy
3	1	D-2348	Blank Furnace Meter Flange
4	1	D-3748	E-Valve Needle EVM (.75" Valve Seat)
5	1	D-3962	.75" Nylon Valve Seat
6	1	D-4029	Blank Furnace Meter Orifice
7	1	H-1010	#8-32 X 1.75" L Cap Screw
8	2	H-1012	#8 Washer, .19" ID, .44" OD
9	2	H-1030	#139 O-Ring
10	6	H-1032	1/4-20 x .75" L Cap Screw
11	2	H-1059	#8-32 X .31L Phillips Head Screw
12	2	H-1068	1/4-20 x 1.25" Cap Screw
13	1	H-1096	Rubber Washer, #10 Screw .56"OD
14	1	H-1097	Rubber Washer, #8 Screw .31"OD
15	1	L-403	Serial Plate Label
16	1	L-4292	Gauge Plate (D)
17	1	A-6706	FM-AB-G05 Analog Display Assembly
18	2	P-1957	.125" MNPT x .125" Tube Brass Compression Elbow
19	1	H-1117	.125in Tube Clamp, 1 Tube
20	2	H-1048	#6-32 x .3125" L Pan Head Screw
21	1	P-1839	.125in OD Nylon Tubing
22	1	P-1839	.125in OD Nylon Tubing
23	1	H-1118	.125in Tube Clamp, 2 Tube
24	2	P-1775	.125" NPT Test Port, Brass
25	2	P-1776	.125" MNPT x .125" FNPT Elbow, Brass



PROPRIETARY AND CONFIDENTIAL
 THE INFORMATION CONTAINED IN THIS DRAWING IS THE SOLE PROPERTY OF ATMOSPHERE ENGINEERING. ANY REPRODUCTION IN PART OR AS A WHOLE WITHOUT THE WRITTEN PERMISSION OF ATMOSPHERE ENGINEERING IS PROHIBITED.

--	--	--/--/--	--	--
B	UPDATED WITH NEW ENCLOSURE SUB ASSEMBLY	4/20/15	NP	2
A	ADDED GAUGE PLATE	5/14/14	NP	1
REV. ID	REVISION	DATE	INITIAL	REV #
DIMENSIONS ARE IN INCHES		NAME	DATE	 ATMOSPHERE ENGINEERING Co. MILWAUKEE, WI U.S.A ENGINEERING@ATMOSENG.COM
TOLERANCES:		DRAWN	3/17/14	
.XX ±.01		CHECKED	--	
.XXX ±.005				FM-AB-MVM-075N-G05
.XXXX ±.0005				
MATERIAL		TITLE		
ASSEMBLY		SCALE:1:4		REV.
FINISH		SIZE	DWG. NO.	SHEET No.
ASSEMBLY		B	A-6703	1 of 3
				3

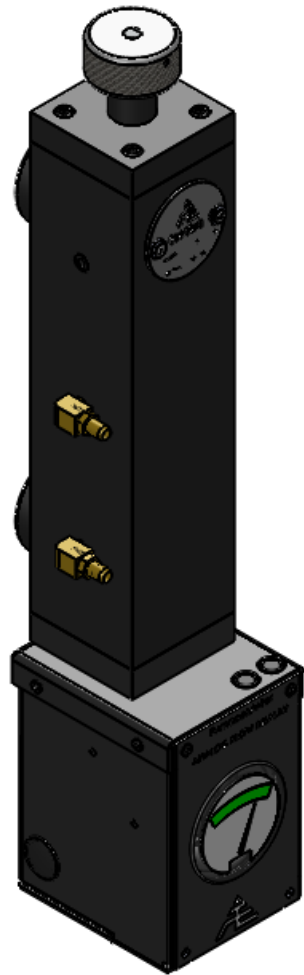


SECTION B-B
SCALE 1 : 2

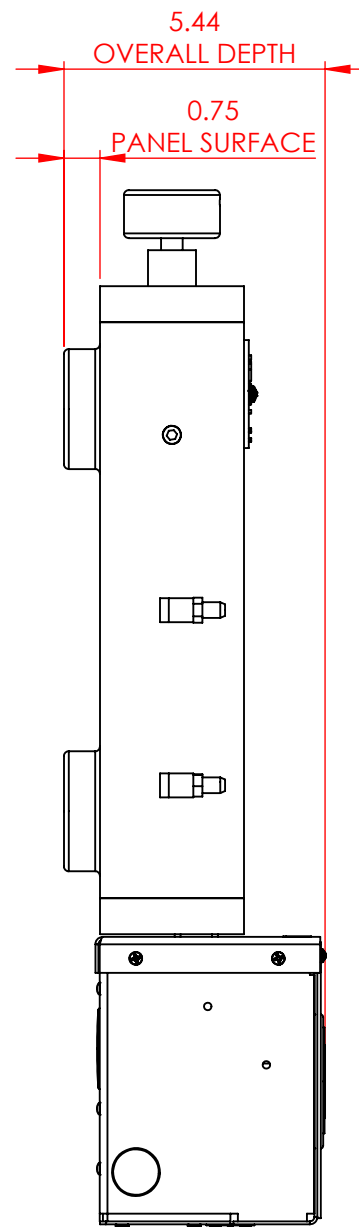
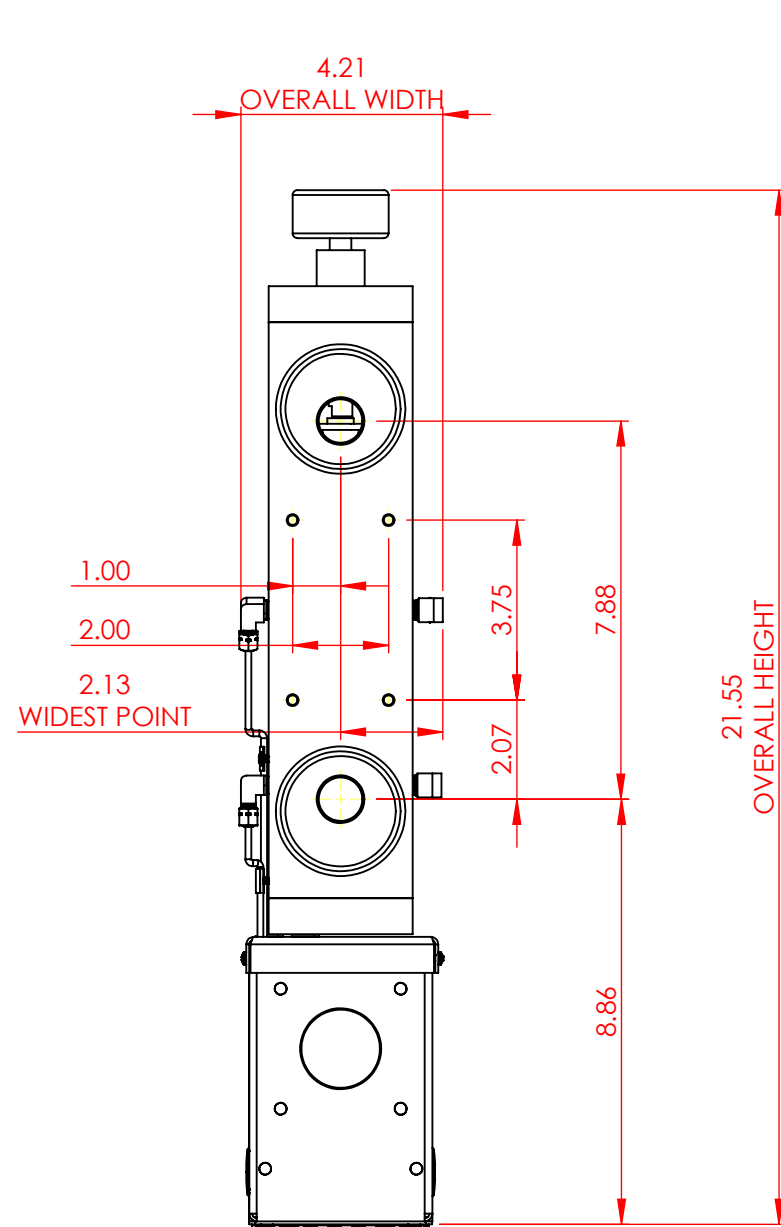
PROPRIETARY AND CONFIDENTIAL
THE INFORMATION CONTAINED IN THIS DRAWING IS THE SOLE PROPERTY OF ATMOSPHERE ENGINEERING. ANY REPRODUCTION IN PART OR AS A WHOLE WITHOUT THE WRITTEN PERMISSION OF ATMOSPHERE ENGINEERING IS PROHIBITED.

REV. ID	REVISION	DATE	INITIAL	REV #
B	UPDATED WITH NEW ENCLOSURE SUB ASSEMBLY	4/20/15	NP	2
A	ADDED GAUGE PLATE	5/14/14	NP	1
DIMENSIONS ARE IN INCHES		TOLERANCES:		
.XX ±.01		.XXX ±.005		
.XXX ±.005		.XXXX ±.0005		
MATERIAL		TITLE		
ASSEMBLY		FM-AB-MVM-075N-G05		
FINISH		SCALE:1:4	SIZE B	DWG. NO. A-6703
ASSEMBLY		SHEET No. 2 of 3		REV. 3

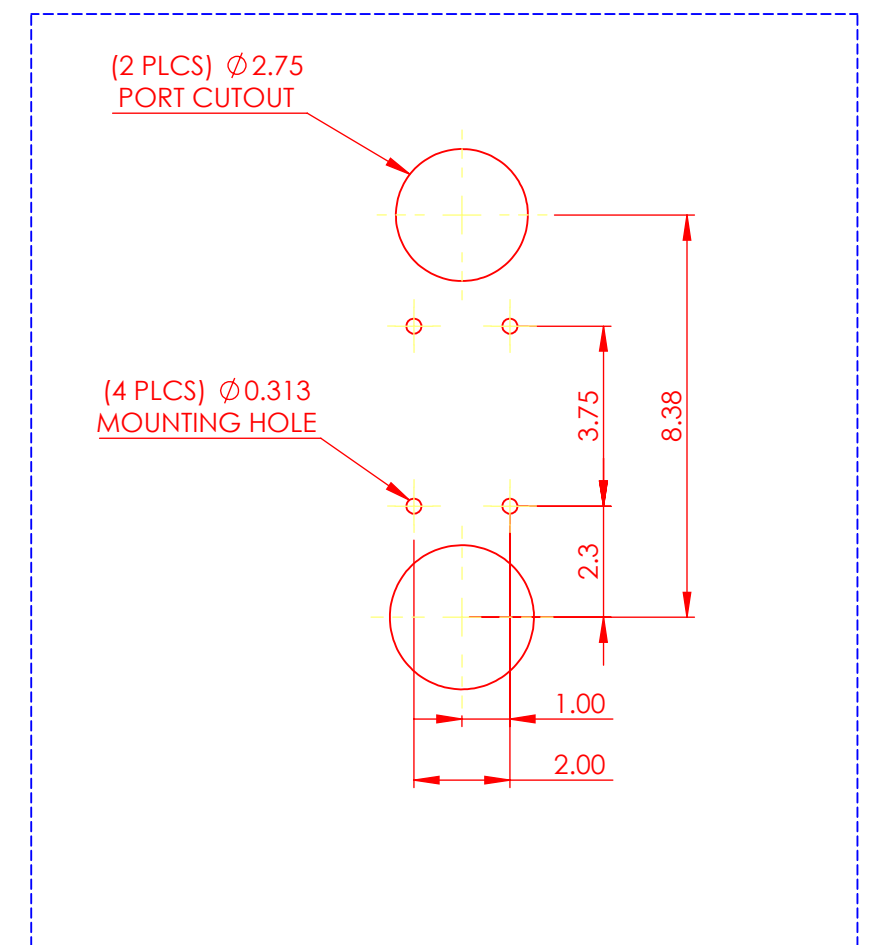





0.75" NPT PORTS



PANEL CUTOUT PROVISIONS



PROPRIETARY AND CONFIDENTIAL
 THE INFORMATION CONTAINED IN THIS DRAWING IS THE SOLE PROPERTY OF ATMOSPHERE ENGINEERING. ANY REPRODUCTION IN PART OR AS A WHOLE WITHOUT THE WRITTEN PERMISSION OF ATMOSPHERE ENGINEERING IS PROHIBITED.

REV. ID	REVISION	DATE	INITIAL	REV #	
C	UPDATED DIMENSIONAL DRAWING	7/27/15	CPM	3	
DIMENSIONS ARE IN INCHES		NAME	DATE	 ATMOSPHERE ENGINEERING Co. MILWAUKEE, WI U.S.A ENGINEERING@ATMOSENG.COM	
TOLERANCES:		DRAWN	3/17/14		
.XX ±.01		CHECKED	--		
.XXX ±.005					
.XXXX ±.0005				TITLE	
MATERIAL		ASSEMBLY			FM-AB-MVM-075N-G05 DIMENSIONAL DRAWING
FINISH		SCALE:1:4	SIZE B	DWG. NO. A-6703-DIM	SHEET No. 3 of 3
				REV. 3	