

AE06 OPERATION INSTRUCTIONS



DOCUMENT CONTENTS

NOTICE.....	2
CONTROLLER WIRING DIAGRAM	3
CONTROLLER NAVIGATION.....	4
PARAMETER ADJUSTMENT PROCEDURE.....	5

Document Control - Revision Notes

<u>Rev</u>	<u>Date</u>	<u>Technician</u>	<u>Revision Description</u>
R0	04/03/15	DJR	Operation Instructions Approved for Release
R1	05/13/15	DJR	Operation Instructions Updated for Configuration
R2	05/28/15	BS	Updated Manual Layout

NOTICE, CAUTIONS, AND WARNINGS

NOTICE

This Bulletin contains important safety information and should be read and understood by all individuals who install, operate, or service this equipment.

Failure to follow the precautions and recommendations of these instructions may subject personnel and property to dangerous conditions.

All installations and applications of the AE06-L Controller must adhere to applicable safety guidelines.

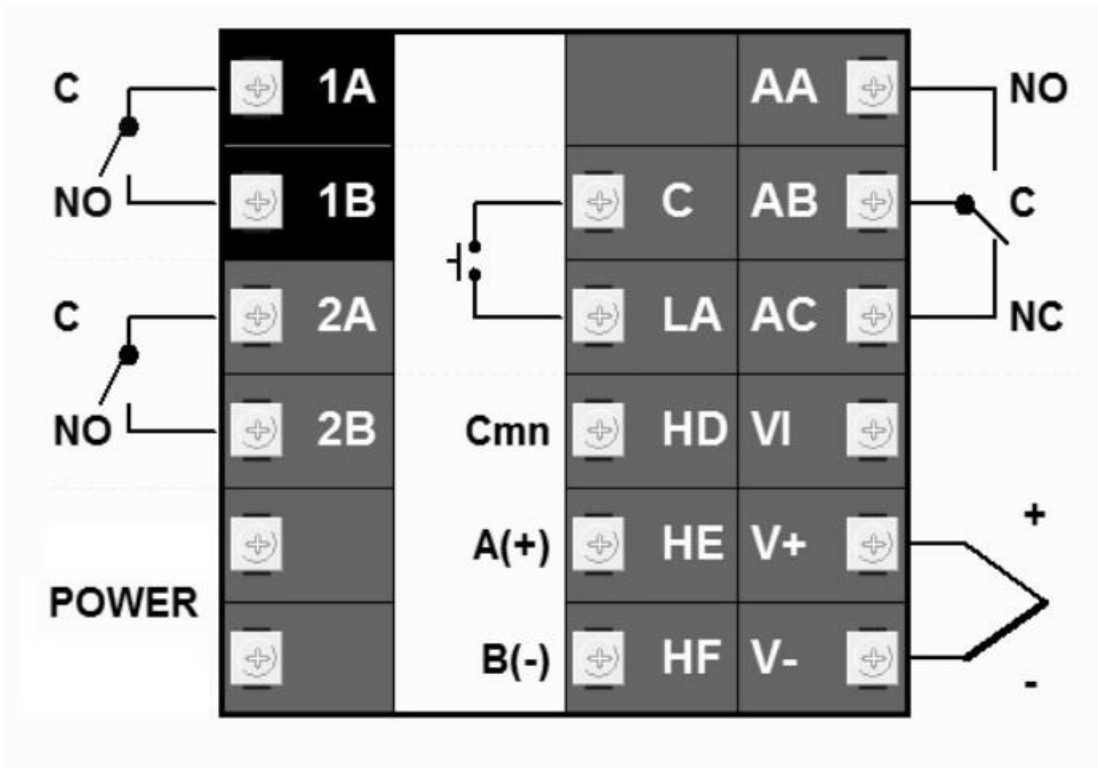
TECHNICAL ASSISTANCE

Contact Atmosphere Engineering with all questions or concerns regarding the installation, operation, and setup of the AEC AE06-L Controller.

Atmosphere Engineering Company
419 West Boden Street
Milwaukee, Wisconsin 53207
United States of America

Phone: 414-331-2457
Fax: 414-332-2457
E-Mail: support@atmoseng.com

CONTROLLER WIRING



Power

Incoming voltage, Neutral and ground wires.

AA / AB

FM approved High Temperature alarm relay output. Energized when alarm is OK.

1A / 1B

Process 1 alarm relay output. Energized when alarm is OK.

2A / 2B

Process 2 alarm relay output. Energized when alarm is OK.

CONTROLLER NAVIGATION



Back Button

Used to go backwards in the program structure

Enter Button

Used to enter values in each screen of the program

Up / Down Arrows

Used to move through program lists / screens and change program values

PARAMETER ADJUSTMENT PROCEDURE (ENGINEERING)

- 1.) Hold the *Back* button until the screen reads “Level 3” to enter Engineering security level
- 2.) Press the *Enter* button
- 3.) Scroll to number “3” with the *up/down* arrow keys
- 4.) Press the *Enter* button
- 5.) Scroll to “Alarms” with the *Back* button
- 6.) Press the *Enter* button
- 7.) Press the *Enter* button to scroll through the parameter list until the relevant alarm set point shows on the screen
 - a. Adjust the alarm set points with the *up/down* arrow keys
- 8.) Press the *Back* button until the home screen appears

PARAMETER ADJUSTMENT PROCEDURE (CONFIG)

- 1.) If SET I**** is showing, the controller is in configuration mode.
- 2.) Cycle power on the controller while holding the *Back* (far left) button.
 - i. Note: If this button is not held down the controller will not boot into Config mode
 - b. Hold the *Back* button until the Code entry is displayed
 - c. Enter the passcode 4 into the field and wait until SET I**** is displayed
- 3.) The default configuration for Set 1 is as follows (use the circle arrow button to scroll through parameters and Up/Down arrows to change values:
 - a. K (K type TC)
 - b. F (Degrees Fahrenheit)
 - c. 0 (Zero Decimals)
 - d. x (Unused)
 - e. I (Display PV + Alarm SP)
- 4.) Cycle through Rng Hi/Rng Lo parameters
 - a. Values are left to factory default
- 5.) The default configuration for Set 2 is as follows:
 - a. H (Alarm 1 OT High)
 - b. L (Alarm 2 Low Temp Low)
 - c. L (Alarm 4 Optional Low)
- 6.) When asked to exit, scroll to Yes
- 7.) The controller will now revert to the default security level